

4

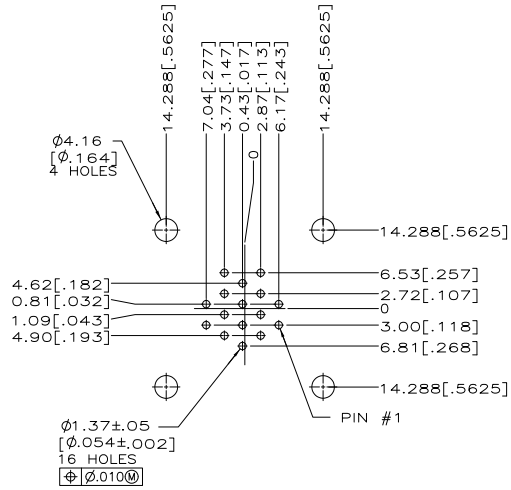
3

2

1

THIS DRAWING IS UNPUBLISHED. RELEASED FOR PUBLICATION
 BY TYCO ELECTRONICS CORPORATION. ALL RIGHTS RESERVED.

LOC	DIST	REVISIONS				
FT	0	F	LN	DATE	BY	APPD
-	-	-	SEE SHEET 1	-	-	-



RECOMMENDED P.C. BOARD LAYOUT

THIS DRAWING IS A CONTROLLED DOCUMENT.		DRN D. HARDY 01-03-95	Tyco Electronics Corporation Harrisburg, PA 17105-3608	
DIMENSIONS: mm [INCHES]		CHK R. STONE 01-09-95	Tyco Electronics Corporation	
TOLERANCES UNLESS OTHERWISE SPECIFIED:		APPD -	RECEPTACLE ASSEMBLY, POSTED, STANDARD SEX, 17-16, CPC	
0 PLG	±	PRODUCT SPEC	-	
1 PLG	±	108-10024	-	
2 PLG	±	APPLICATION SPEC	-	
3 PLG	± 0.25 (.010)	114-10038	SIZE	A2
4 PLG	±	HEIGHT	CAGE CODE	00779
ANGLES	±	CUSTOMER DRAWING	DRAWING NO.	C=213855
MATERIAL	△	FINISH	SCALE	2:1
HOUSING	△	CONDUCT	SHEET	2 of 2
CONTACT SPRING	△	REV	C1	
CONTACT BODY & POST	△			

AMP 1471-9 REV 31MMR2000

213855