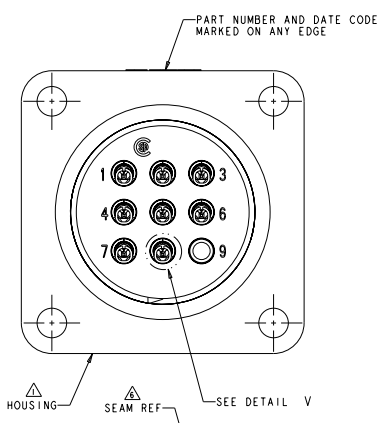
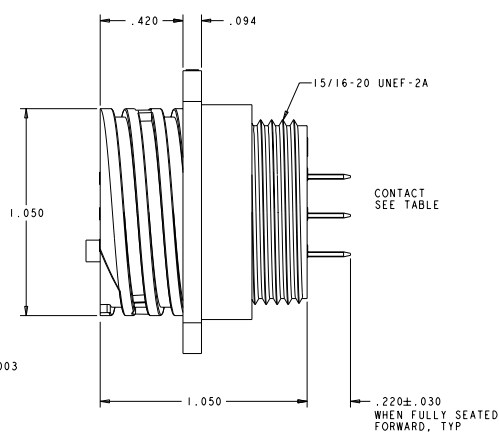
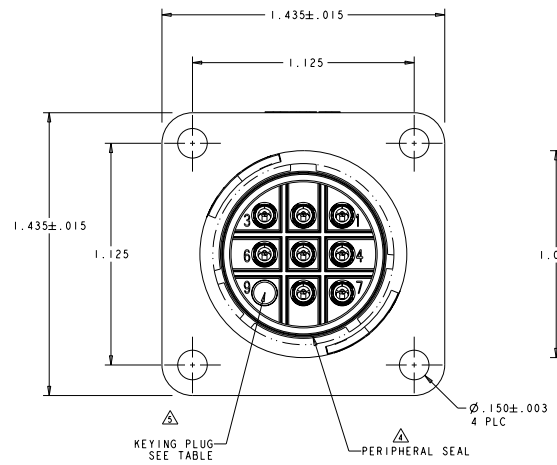
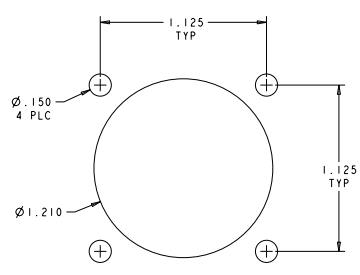
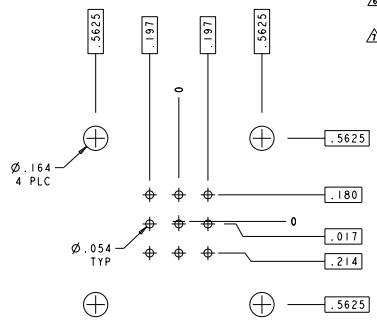
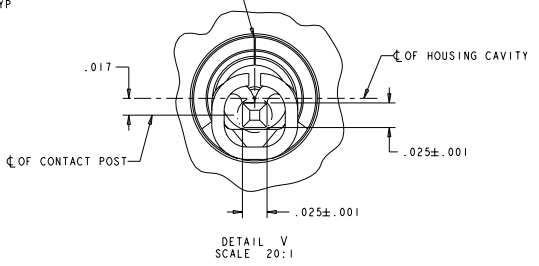


REVISIT		REVISIONS			
REV	DATE	DESCRIPTION	BY	CHK	APP
P	ADDED 1-2, 1-3	ECO-04-002410	SPENMAN	SM	SM
PT	REVISED PER ECO-99-025689		TRICORNER	KK	KEG



- △ HOUSING: NYLON, UL 94 V-0 RATED, BLACK.
- △ CONTACT:
BODY - BRASS, .000100 MIN TIN-LEAD OVER .000050 MIN NICKEL.
POST - BRASS, .000100 MIN TIN-LEAD OVER .000050 MIN NICKEL.
- △ CONTACT:
BODY - BRASS, .000100 MIN TIN OVER .000050 MIN NICKEL.
POST - BRASS, .000100 MIN TIN OVER .000050 MIN NICKEL.
- △ PERIPHERAL SEAL: ELASTOMER, GRAY.
- △ KEYING PLUG: NYLON, NATURAL.
- △ .009 MAXIMUM CONTACT LEAD-IN SEAM GAP PERMISSIBLE ON MATING FACE END.
- △ OBSOLETE PARTS: OBSOLETE CIS STREAMLINING PER D.RENAUD/D.SINISI



△	POSN 9	YES	△	8	1-8	1-213826-3
△	-	YES	△	8	1-5-7-9	1-213826-2
△	-	YES	△	9	ALL	1-213826-1
△	POSN 9	YES	△	8	1-8	1-213826-0
△	-	YES	△	8	1-5-7-9	213826-9
△	POSN 9	YES	△	8	1-8	213826-8
△	-	YES	△	8	1-5-7-9	213826-7
△	POSN 9	YES	△	8	1-8	213826-3
△	-	YES	△	8	1-5-7-9	213826-2
△	-	YES	△	9	ALL	213826-1

RECOMMENDED PC BOARD LAYOUT
SCALE 3:1

RECOMMENDED PANEL LAYOUT
.125 MAX PANEL THICKNESS
SCALE 3:1

DIMENSIONS: INCHES TYPICAL DIMENSIONS: INCHES FINISH: PLATED TOLERANCES: .0005 MATERIAL: NYLON	MFG. NO. 23MAY2003 MFG. DATE 23MAY2003 MFG. LOT 100-10024 INSPECTION NO. 116-10006 CUSTOMER DRAWING	TITLE: RECEPTACLE ASSEMBLY, POSTED, REVERSE SEX, SERIES 1, 17-9, CPC SIZE: 116-10006 REV: A 00778 ©=213826	Tech Electronics Harrisburg, PA 17105-3600 REVERSE SEX, SERIES 1, 17-9, CPC PART NUMBER: 213826-1
--	---	---	--