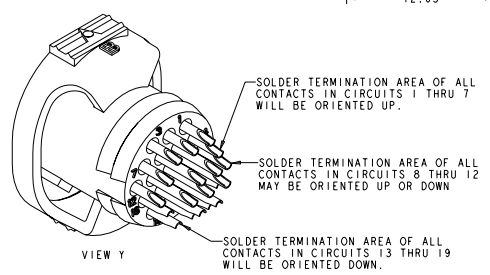
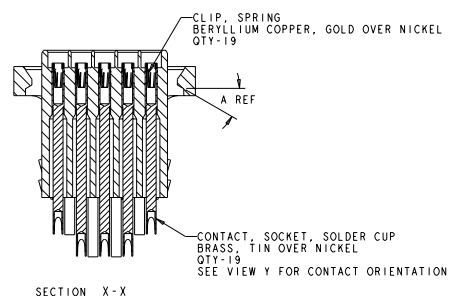
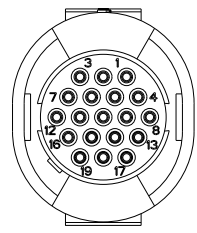
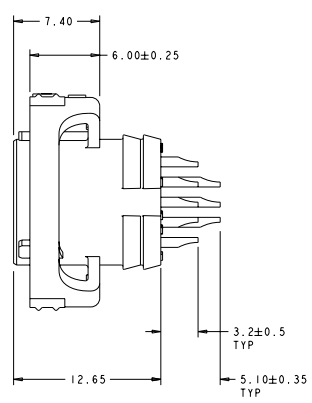
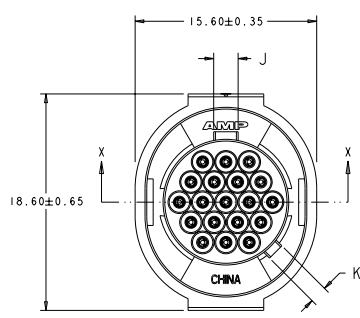
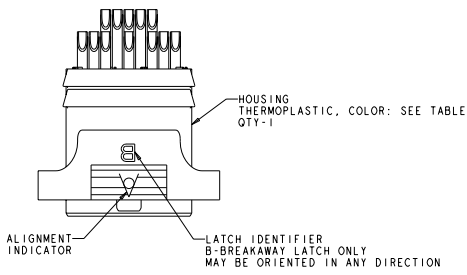


REVISED		REVISED		REVISED		REVISED	
REV	DATE	BY	DESCRIPTION	REV	DATE	BY	DESCRIPTION
J1			REVISED ECO-N-029818				



DATE: 23 JUN 2004 TIME: 10:00 AM DRAWN BY: J1 CHECKED BY: J1 APPROVED BY: J1 SEE CALLOUT SEE CALLOUT		SERIAL FILE: 44EP2001 QTY: 19 PART: 23JUN2004 PART: 23JUN2004 APPLICATION SPEC: - REVISION: - CUSTOMER DRAWING: -		Tyco Electronics Harrisburg, PA 17105-3600 PLUG ASSEMBLY, 19 POSITION, SOCKET, SOLDER CUP, MICRO CPC STATE: PA COUNTY: YORK CITY: HARRISBURG ZIP: 17105-3600 PHONE: 717-530-1000 FAX: 717-530-1001 WWW: www.tycoelectronics.com E-MAIL: sales@tycoelectronics.com	
--	--	---	--	--	--

REV. NO.		REV. DATE		REVISIONS	
FT	0				

11	4-7,9,10,11,13-16	TIN OVER NICKEL	A	1.5	2.1	30°	BREAKAWAY	WHITE	5-1445782-0
10	4-7,9,11,13-16	TIN OVER NICKEL	A	1.5	2.1	30°	BREAKAWAY	WHITE	4-1445782-9
9	1,3,5,6,10,14,15,17,19	TIN OVER NICKEL	A	1.5	2.1	30°	BREAKAWAY	WHITE	4-1445782-8
8	1,3,5,6,14,15,17,19	TIN OVER NICKEL	A	1.5	2.1	30°	BREAKAWAY	WHITE	4-1445782-7
9	1-3,9-11,17-19	TIN OVER NICKEL	A	1.5	2.1	0°	POSITIVE	BLACK	4-1445782-6
19	ALL	TIN OVER NICKEL	B	2.1	1.5	0°	POSITIVE	BLACK	4-1445782-5
11	4-7,9,10,11,13-16	TIN OVER NICKEL	A	1.5	2.1	0°	POSITIVE	BLACK	4-1445782-3
10	4-7,9,11,13-16	TIN OVER NICKEL	A	1.5	2.1	0°	POSITIVE	BLACK	4-1445782-2
9	1,3,5,6,10,14,15,17,19	TIN OVER NICKEL	A	1.5	2.1	0°	POSITIVE	BLACK	4-1445782-1
8	1,3,5,6,14,15,17,19	TIN OVER NICKEL	A	1.5	2.1	0°	POSITIVE	BLACK	4-1445782-0
12	1-4, 7,8,12,13, 16-19	TIN OVER NICKEL	A	1.5	2.1	30°	BREAKAWAY	WHITE	3-1445782-8
12	1-4, 7,8,12,13, 16-19	TIN OVER NICKEL	A	1.5	2.1	0°	POSITIVE	BLACK	3-1445782-7
13	1-4, 7,8,10,12,13, 16-19	TIN OVER NICKEL	A	1.5	2.1	30°	BREAKAWAY	WHITE	3-1445782-6
13	1-4, 7,8,10,12,13, 16-19	TIN OVER NICKEL	A	1.5	2.1	0°	POSITIVE	BLACK	3-1445782-5
14	1-4, 7-9, 11-13, 16-19	TIN OVER NICKEL	A	1.5	2.1	30°	BREAKAWAY	WHITE	3-1445782-4
14	1-4, 7-9, 11-13, 16-19	TIN OVER NICKEL	A	1.5	2.1	0°	POSITIVE	BLACK	3-1445782-3
15	1-4, 7-13, 16-19	TIN OVER NICKEL	A	1.5	2.1	30°	BREAKAWAY	WHITE	3-1445782-2
15	1-4, 7-13, 16-19	TIN OVER NICKEL	A	1.5	2.1	0°	POSITIVE	BLACK	3-1445782-1
16	1-8, 12-19	TIN OVER NICKEL	A	1.5	2.1	30°	BREAKAWAY	WHITE	3-1445782-0
16	1-8, 12-19	TIN OVER NICKEL	A	1.5	2.1	0°	POSITIVE	BLACK	2-1445782-9
17	1-8, 10, 12-19	TIN OVER NICKEL	A	1.5	2.1	30°	BREAKAWAY	WHITE	2-1445782-8
17	1-8, 10, 12-19	TIN OVER NICKEL	A	1.5	2.1	0°	POSITIVE	BLACK	2-1445782-7
18	1-9, 11-19	TIN OVER NICKEL	A	1.5	2.1	30°	BREAKAWAY	WHITE	2-1445782-6
18	1-9, 11-19	TIN OVER NICKEL	A	1.5	2.1	0°	POSITIVE	BLACK	2-1445782-5
19	ALL	TIN OVER NICKEL	A	1.5	2.1	30°	BREAKAWAY	WHITE	2-1445782-4
19	ALL	TIN OVER NICKEL	A	1.5	2.1	0°	POSITIVE	BLACK	2-1445782-3
9	1-3,9-11,17-19	TIN-LEAD OVER NICKEL	A	1.5	2.1	0°	POSITIVE	BLACK	2-1445782-1
19	ALL	TIN-LEAD OVER NICKEL	B	2.1	1.5	0°	POSITIVE	BLACK	1-1445782-7
12	1-4, 7,8,12,13, 16-19	TIN-LEAD OVER NICKEL	A	1.5	2.1	30°	BREAKAWAY	WHITE	1-1445782-6
12	1-4, 7,8,12,13, 16-19	TIN-LEAD OVER NICKEL	A	1.5	2.1	0°	POSITIVE	BLACK	1-1445782-5
13	1-4, 7,8,10,12,13, 16-19	TIN-LEAD OVER NICKEL	A	1.5	2.1	30°	BREAKAWAY	WHITE	1-1445782-4
13	1-4, 7,8,10,12,13, 16-19	TIN-LEAD OVER NICKEL	A	1.5	2.1	0°	POSITIVE	BLACK	1-1445782-3
14	1-4, 7-9, 11-13, 16-19	TIN-LEAD OVER NICKEL	A	1.5	2.1	30°	BREAKAWAY	WHITE	1-1445782-2
14	1-4, 7-9, 11-13, 16-19	TIN-LEAD OVER NICKEL	A	1.5	2.1	0°	POSITIVE	BLACK	1-1445782-1
15	1-4, 7-13, 16-19	TIN-LEAD OVER NICKEL	A	1.5	2.1	30°	BREAKAWAY	WHITE	1-1445782-0
15	1-4, 7-13, 16-19	TIN-LEAD OVER NICKEL	A	1.5	2.1	0°	POSITIVE	BLACK	1445782-09
16	1-8, 12-19	TIN-LEAD OVER NICKEL	A	1.5	2.1	30°	BREAKAWAY	WHITE	1445782-08
16	1-8, 12-19	TIN-LEAD OVER NICKEL	A	1.5	2.1	0°	POSITIVE	BLACK	1445782-07
17	1-8, 10, 12-19	TIN-LEAD OVER NICKEL	A	1.5	2.1	30°	BREAKAWAY	WHITE	1445782-06
17	1-8, 10, 12-19	TIN-LEAD OVER NICKEL	A	1.5	2.1	0°	POSITIVE	BLACK	1445782-05
18	1-9, 11-19	TIN-LEAD OVER NICKEL	A	1.5	2.1	30°	BREAKAWAY	WHITE	1445782-04
18	1-9, 11-19	TIN-LEAD OVER NICKEL	A	1.5	2.1	0°	POSITIVE	BLACK	1445782-03
19	ALL	TIN-LEAD OVER NICKEL	A	1.5	2.1	30°	BREAKAWAY	WHITE	1445782-02
19	ALL	TIN-LEAD OVER NICKEL	A	1.5	2.1	0°	POSITIVE	BLACK	1445782-01

QTY	SELECT LOADED IN CIRCUITS	FINISH	CODE	K	J	A	DESCRIPTION	HOUSING COLOR	PART NUMBER
	CONTACT						KEYING CONFIGURATION	LATCH CONFIGURATION	

DATE: 04/22/01	REV: 001	DATE: 04/22/01	REV: 001
DATE: 04/22/01	REV: 001	DATE: 04/22/01	REV: 001
DATE: 04/22/01	REV: 001	DATE: 04/22/01	REV: 001
DATE: 04/22/01	REV: 001	DATE: 04/22/01	REV: 001

PLUG ASSEMBLY, 19 POSITION, SOCKET, SOLDER CUP, MICRO CPC

00779-1445782