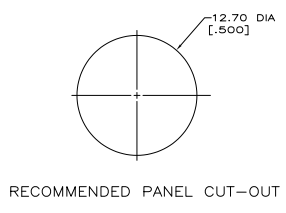
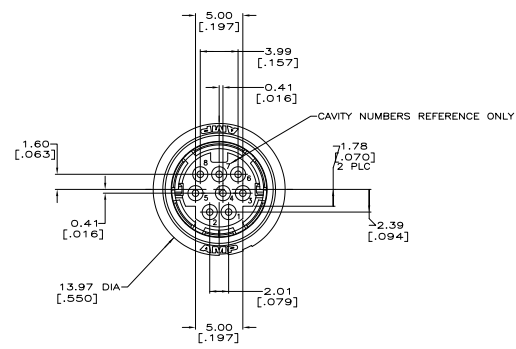
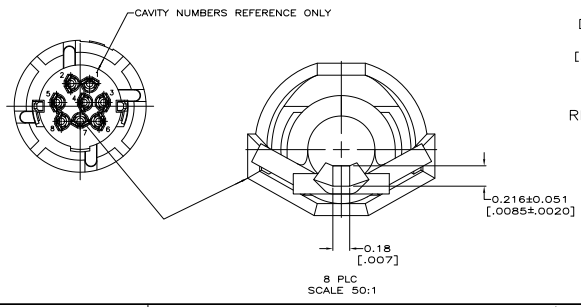
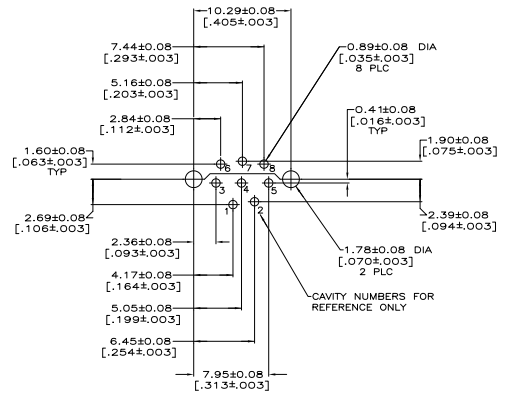
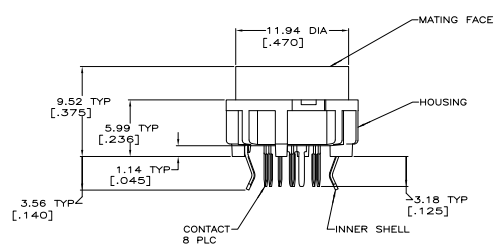


DRAWING MADE IN THIRD ANGLE PROJECTION  
 THIS DRAWING IS UNPUBLISHED. RELEASED FOR PUBLICATION  
 © COPYRIGHT 19 BY AMP INCORPORATED. ALL INTERNATIONAL RIGHTS RESERVED.

REVOLUTIONS		DATE	APPD
OP	NO		
C	REV PER EC 0513-0177-03		
CT	REVISED PER ECO-09-023313		



- △ SHELL: BRASS; CONTACTS: PHOSPHOR BRONZE; HOUSING: POLYESTER, UL 94V-0 RATED, BLACK.
- △ 0.76 μm [.000030] MIN GOLD ON MATING END FOR A LENGTH OF 1.37[.054] MIN ON INSIDE; 2.54 μm [.000100] MIN TIN-LEAD FOR A LENGTH OF 3.30[.130] MIN FROM OPPOSITE END, ALL OVER 1.27 μm [.000050] MIN NICKEL.
- △ 0.38 μm [.000015] MIN GOLD ON MATING END FOR A LENGTH OF 1.37[.054] MIN ON INSIDE; 2.54 μm [.000100] MIN TIN-LEAD FOR A LENGTH OF 3.30[.130] MIN FROM OPPOSITE END, ALL OVER 1.27 μm [.000050] MIN NICKEL.
- △ 2.54 μm [.000100] MIN TIN-LEAD OVER 1.27 μm [.000050] MIN NICKEL.
- △ GOLD PLATING PER MIL-G-45204, TIN PLATING PER MIL-T-10727, NICKEL PLATING PER QQ-N-290.
- 6. RECEPTACLE ASSEMBLY MATES WITH 8 PIN, 8.99±0.10[.354±.004] DIAMETER PLUG.
- △ 2.54 μm [.000100] MIN TIN OVER 1.27 μm [.000050] MIN NICKEL.
- △ OBSOLETE PARTS: OBSOLETE CIS STREAMLINING PER D.RENAUD/D.SINISI



△ OBSOLETE	△	△	△	△	750337-3
△ OBSOLETE	△	△	△	△	750337-2
△ OBSOLETE	△	△	△	△	750337-1

DO NOT SCALE PRINT. UNLESS SPECIFIED DIMENSIONS IN mm [INCHES] TOLERANCES ON 2 PLG DEC 8 0.13[.005] INCHES 8	DR 8-2-90 J MCINTON CHK 9-5-90 R STONE APPD 8-5-90 R WINE MATERIAL 9-10-90 J JALPONI PRODUCT SPEC -	INNER SHELL FINISH	CONTACT FINISH	PART NO
SEE TABLE	APPLICATION SPEC -	WEIGHT -	SIZE D	CAGE CODE 00779
AMP Incorporated Harrisburg, PA 17105-3608		RECEPTACLE ASSEMBLY, 8 POSN, LOW FLANGE, UNSHIELDED, VERTICAL, MINIATURE CIRCULAR DIN		
DRAWING NO 750337		SHEET 1 OF 1		

AMP 178-3 REV 11-88

CUSTOMER DRAWING