

4

3

2

1

THIS DRAWING IS UNPUBLISHED. RELEASED FOR PUBLICATION 12MAY.2006.
 © COPYRIGHT 2006 BY TYCO ELECTRONICS CORPORATION. ALL RIGHTS RESERVED.

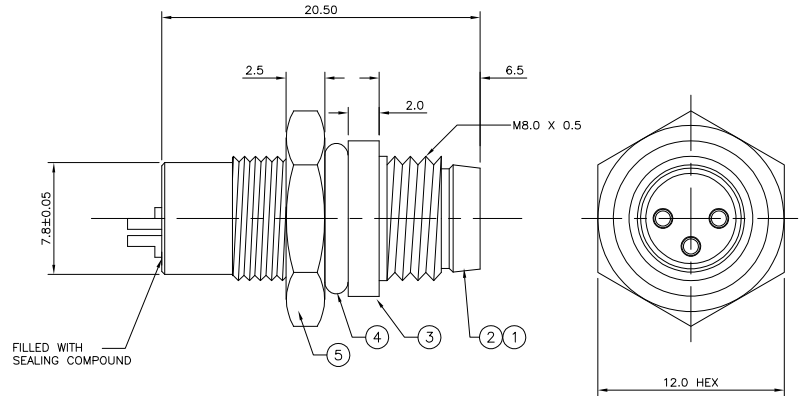
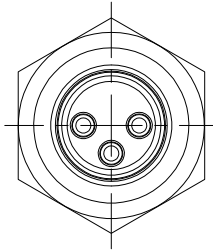
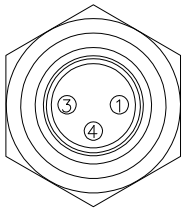
LOC	DIST	REVISIONS			
P	LTR	DESCRIPTION	DATE	DWN	APVD
A		FIRST ISSUE	12MAY06	AM	FWK

NOTES:

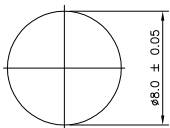
- ELECTRICAL DATA: CONTACT RESISTANCE: 10 mOhm MAX
 INSULATION RESISTANCE: 100 MOhm MIN at 500VDC
 CURRENT RATINGS: 5 AMPS FOR 3
 BREAKDOWN VOLTAGE: 500 VAC MIN PER MINUTE
- ENVIRONMENTAL: OPERATING TEMPERATURE: -25°C TO +90°C
 SEALING REQUIREMENTS: IP67
- PROD SPEC: 108-3641
- PACKAGING: 107-3334
- FOR TECHNICAL DATA REFER TO YOUR LOCAL TYCO ELECTRONICS SALES OFFICE.
- ALL DIMENSIONS ARE NOMINAL FOR REFERENCE ONLY UNLESS OTHERWISE STATED.

ITEM	DESCRIPTION	MATERIAL	FINISH/COLOUR	QTY
1	CONNECTOR HOUSING	GF NYLON	BLACK	1
2	PIN CONTACT	BRASS	0.15µm GOLD OVER NICKEL	3
3	CONNECTOR BODY	BRASS	NICKEL PLATED	1
4	'O' RING	EPDM	BLACK	1
5	SCREW NUT	BRASS	2.5µm NICKEL PLATED	1

PIN ASSIGNMENTS FRONT VIEW



RECOMMENDED PANEL CUT-OUT (MAX PANEL THICKNESS 3.0mm)



M8 SHIELDED METAL MALE PANEL MOUNT CONNECTOR, SOLDER, STRAIGHT, REAR (CIRCULAR) MOUNTING	3	1814444-1
DESCRIPTION	NO. OF POS	PART NUMBER

THIS DRAWING IS A CONTROLLED DOCUMENT.		DWN	12MAY06	Tyco Electronics Corporation	
		CHK	14MAY06	Bideford, UK, EX39 4HE	
		APVD	14MAY06	NAME	
				F. Wheeler-King	
				PRODUCT SPEC	
				APPLICATION SPEC	
				RESTRICTED TO	
				SIZE	
				CAGE CODE	
				DRAWING NO	
				WEIGHT	
				CUSTOMER DRAWING	
				SCALE	
				SHEET	
				OF	
				REV	
				A	