

4

3

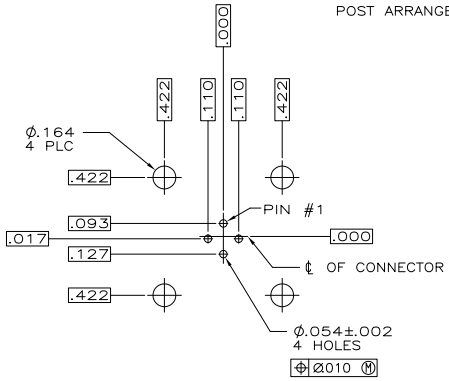
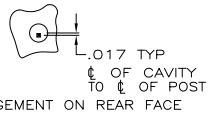
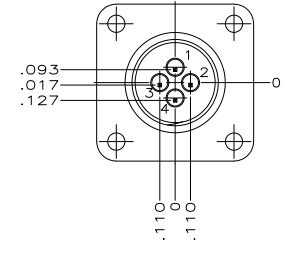
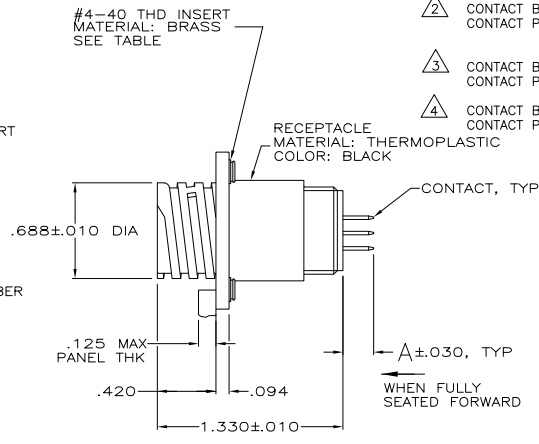
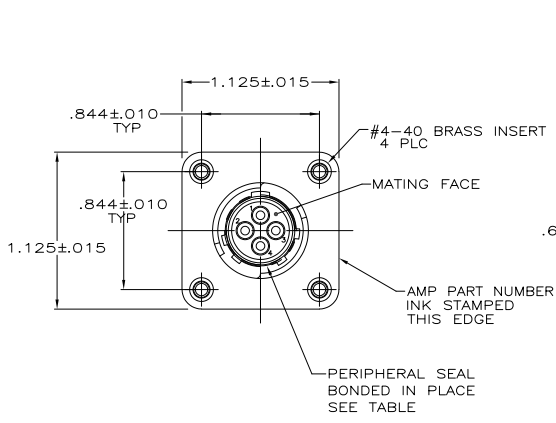
2

1

THIS DRAWING IS UNPUBLISHED. RELEASED FOR PUBLICATION. ALL RIGHTS RESERVED.

LOC	DIST	REVISIONS					
FT	0	P	LTR	DESCRIPTION	DATE	BY	APPD
		R3		REVISED PER ECO-11-004917	11MAR11	RK	HMR

- 1 RECEPTACLE IS LOADED WITH 4 TYPE III+ POSTED PIN CONTACTS.
- 2 CONTACT BODY: GOLD PER MIL-G-45204 OVER NICKEL PER QQ-N-290. CONTACT POST: TIN-LEAD PER MIL-T-10727 OVER COPPER PER MIL-C-14550A.
- 3 CONTACT BODY: GOLD PER MIL-G-45204 OVER NICKEL PER QQ-N-290. CONTACT POST: TIN OVER COPPER PER MIL-C-14550A.
- 4 CONTACT BODY: TIN OVER NICKEL PER MIL-C-14550A. CONTACT POST: TIN OVER NICKEL PER MIL-C-14550A.



3	4	.220	YES	NO	1-207825-5
3	4	.429	YES	YES	1-207825-4
3	4	.119	NO	NO	1-207825-2
3	4	.618	NO	YES	1-207825-1
3	3	.119	YES	YES	1-207825-0
2	3	.119	NO	YES	207825-9
2	2	.220	YES	NO	207825-8
2	2	.429	YES	YES	207825-7
2	2	.119	NO	NO	207825-6
2	2	.119	NO	NO	207825-5
2	2	.618	NO	YES	207825-4
2	2	.119	YES	YES	207825-3
2	2	.220	NO	YES	207825-2
2	2	.119	NO	YES	207825-1
OBSOLETE					
CONTACT FINISH		A	PERIPHERAL SEAL	THREADED INSERTS	PART NUMBER

THIS DRAWING IS A CONTROLLED DOCUMENT. DRN: SLEE, RG 7-1-91. CR: W. GLENKER 4-14-92. NAME: W. GLENKER.

TE Connectivity

RECEPTACLE ASSEMBLY, POSTED, STD SEX, SERIES 1, 11-4, CPC

PRODUCT SPEC: 108-10024

APPLICATION SPEC: A2

SIZE: A2

CAGE CODE: 00779

DRAWING NO: C-207825

RESTRICTED TO: R3

SCALE: 2:1

SHEET: 1 of 1

REV: R3