

4

3

2

1

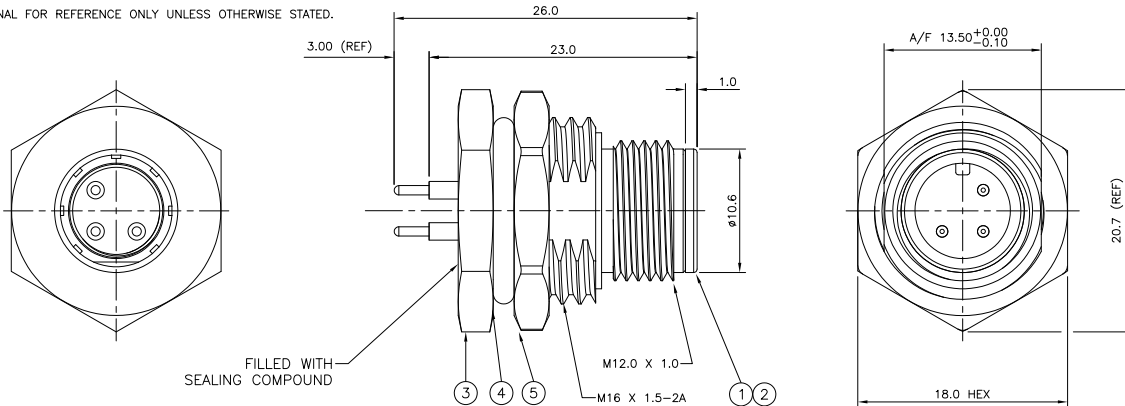
THIS DRAWING IS UNPUBLISHED. RELEASED FOR PUBLICATION  
 © COPYRIGHT - By - ALL RIGHTS RESERVED.

| LOC | DIST | REVISIONS   |                           |         |        |
|-----|------|-------------|---------------------------|---------|--------|
| P   | LTR  | DESCRIPTION | DATE                      | DWN     | APVD   |
| E   | B    | C1          | REVISED PER ECO-11-005150 | 21MAR11 | RK HMR |

## NOTES:

- ELECTRICAL DATA: CONTACT RESISTANCE: 10 mOhm MAX  
 INSULATION RESISTANCE: 100 MOhm MIN at 500VDC  
 CURRENT RATING: 5 AMPS (FOR 3, 4 AND 5 POSITIONS) AND 2 AMPS (FOR 8 POSITION ONLY)  
 BREAKDOWN VOLTAGE: 500 VAC MIN PER MINUTE
- ENVIRONMENTAL: OPERATING TEMPERATURE: -25°C TO +90°C  
 SEALING REQUIREMENTS: IP67
- PROD SPEC: 108-3641
- PACKAGING: 107-3334
- FOR TECHNICAL DATA REFER TO YOUR LOCAL TE CONNECTIVITY SALES OFFICE.
- ALL DIMENSIONS ARE NOMINAL FOR REFERENCE ONLY UNLESS OTHERWISE STATED.

| ITEM | DESCRIPTION       | MATERIAL      | FINISH/COLOR            | QUANTITY / ITEM |    |    |    |
|------|-------------------|---------------|-------------------------|-----------------|----|----|----|
|      |                   |               |                         | -1              | -2 | -3 | -4 |
| 1    | CONNECTOR HOUSING | GF NYLON      | BLACK                   | 1               | 1  | 1  | 1  |
| 2    | PIN CONTACT       | BRASS         | 0.15µm GOLD OVER NICKEL | 3               | 4  | 5  | 8  |
| 3    | CONNECTOR BODY    | ZINC DIE CAST | 2.5µm NICKEL PLATED     | 1               | 1  | 1  | 1  |
| 4    | 'O' RING          | EPDM          | BLACK                   | 1               | 1  | 1  | 1  |
| 5    | SCREW NUT         | ZINC DIE CAST | 2.5µm NICKEL PLATED     | 1               | 1  | 1  | 1  |



| DESCRIPTION   | NO. OF POS | PART NUMBER |
|---|------------|-------------|
| M12 METAL MALE PANEL MOUNT CONNECTOR, PCB, STRAIGHT, FRONT (HEXAGONAL) MOUNTING | 8          | 1838894-4   |
| M12 METAL MALE PANEL MOUNT CONNECTOR, PCB, STRAIGHT, FRONT (HEXAGONAL) MOUNTING | 5          | 1838894-3   |
| M12 METAL MALE PANEL MOUNT CONNECTOR, PCB, STRAIGHT, FRONT (HEXAGONAL) MOUNTING | 4          | 1838894-2   |
| M12 METAL MALE PANEL MOUNT CONNECTOR, PCB, STRAIGHT, FRONT (HEXAGONAL) MOUNTING | 3          | 1838894-1   |

|   |             |  |  |                       |
|---|-------------|--|--|-----------------------|
| THIS DRAWING IS A CONTROLLED DOCUMENT.                                      |             | DWN<br>A Morey<br>OSMAR07                  | TE Connectivity  |                       |
| DIMENSIONS:<br>mm   |             | CHK<br>F.Wheeler-King<br>OSMAR07           | NAME<br>M12 METAL MALE PANEL MOUNT CONNECTOR, SOLDER, STRAIGHT, FRONT (HEXAGONAL) MOUNTING |                       |
| TOLERANCES UNLESS OTHERWISE SPECIFIED:                                      |             | APVD<br>F.Wheeler-King<br>OSMAR07          | SIZE<br>A3   |                       |
| 0 PLC ± -<br>1 PLC ± -<br>2 PLC ± -<br>3 PLC ± -<br>4 PLC ± -<br>ANGLES ± - |             | PRODUCT SPEC<br>-<br>APPLICATION SPEC<br>- | CAGE CODE<br>00779   | DRAWING NO<br>1838894 |
| MATERIAL<br>-   | FINISH<br>- | WEIGHT<br>-                                | RESTRICTED TO<br>-   |                       |
| CUSTOMER DRAWING  |             |  | SCALE<br>NTS   | SHEET<br>1 of 2       |
|   |             |  | REV<br>C1  |                       |

1470-19 (3/11)

4

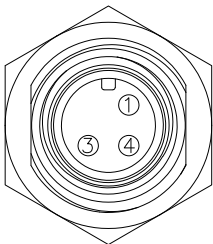
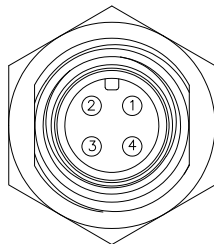
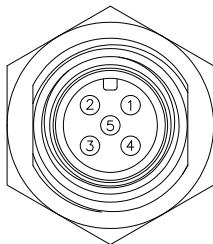
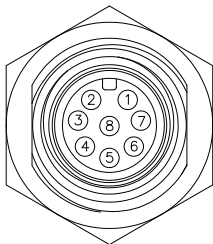
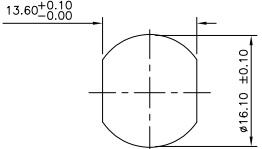
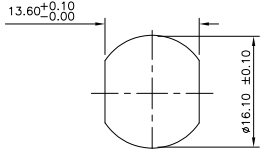
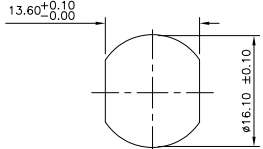
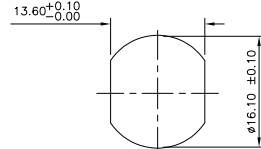
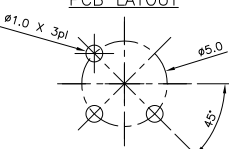
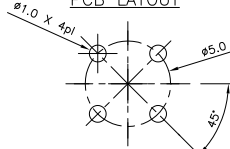
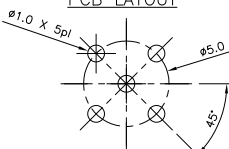
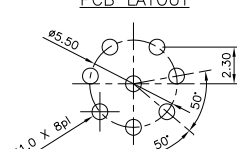
3

2

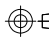
1

THIS DRAWING IS UNPUBLISHED. RELEASED FOR PUBLICATION  
 © COPYRIGHT - By - ALL RIGHTS RESERVED.

| LOC         | DIST | REVISIONS   |      |     |      |
|-------------|------|-------------|------|-----|------|
| P           | LTR  | DESCRIPTION | DATE | DWN | APVD |
| E           | B    |             |      |     |      |
| SEE SHEET 1 |      |             |      |     |      |

| 1838894-1  | 1838894-2  | 1838894-3   | 1838894-4  |
|--|--|---|--|
| <b>PIN ASSIGNMENTS</b><br><b>FRONT VIEW</b><br>                             | <b>PIN ASSIGNMENTS</b><br><b>FRONT VIEW</b><br>                             | <b>PIN ASSIGNMENTS</b><br><b>FRONT VIEW</b><br>                             | <b>PIN ASSIGNMENTS</b><br><b>FRONT VIEW</b><br>                             |
| <b>RECOMMENDED PANEL CUT-OUT</b><br><b>(MAX PANEL THICKNESS 4.5mm)</b><br> | <b>RECOMMENDED PANEL CUT-OUT</b><br><b>(MAX PANEL THICKNESS 4.5mm)</b><br> | <b>RECOMMENDED PANEL CUT-OUT</b><br><b>(MAX PANEL THICKNESS 4.5mm)</b><br> | <b>RECOMMENDED PANEL CUT-OUT</b><br><b>(MAX PANEL THICKNESS 4.5mm)</b><br> |
| <b>RECOMMENDED PCB LAYOUT</b><br>   | <b>RECOMMENDED PCB LAYOUT</b><br>   | <b>RECOMMENDED PCB LAYOUT</b><br>   | <b>RECOMMENDED PCB LAYOUT</b><br>   |

THIS DRAWING IS A CONTROLLED DOCUMENT.

|   |  |
|---|--|
| DIMENSIONS:   | TOLERANCES UNLESS OTHERWISE SPECIFIED: |
| mm  | 0 PLC ± -                              |
|  | 1 PLC ± -                              |
|   | 2 PLC ± -                              |
|   | 3 PLC ± -                              |
|   | 4 PLC ± -                              |
|   | ANGLES ± -                             |
| MATERIAL  | FINISH                                 |
| -   | -                                      |

|                  |                |
|------------------|----------------|
| DWN              | OSMAR07        |
| CHK              | A.Morey        |
| APVD             | F.Wheeler-King |
| PRODUCT SPEC     | F.Wheeler-King |
| APPLICATION SPEC | -              |
| WEIGHT           | -              |
| CUSTOMER DRAWING |                |



|   |           |            |               |
|---|-----------|------------|---------------|
| NAME  |           |            |               |
| M12 METAL MALE PANEL MOUNT CONNECTOR, SOLDER, STRAIGHT, FRONT (CIRCULAR) MOUNTING |           |            |               |
| SIZE  | CAGE CODE | DRAWING NO | RESTRICTED TO |
| A3  | 00779     | C=1838894  | -             |
| SCALE   |           | SHEET      | REV           |
| NTS   |           | 2 of 2     | C1            |