

4

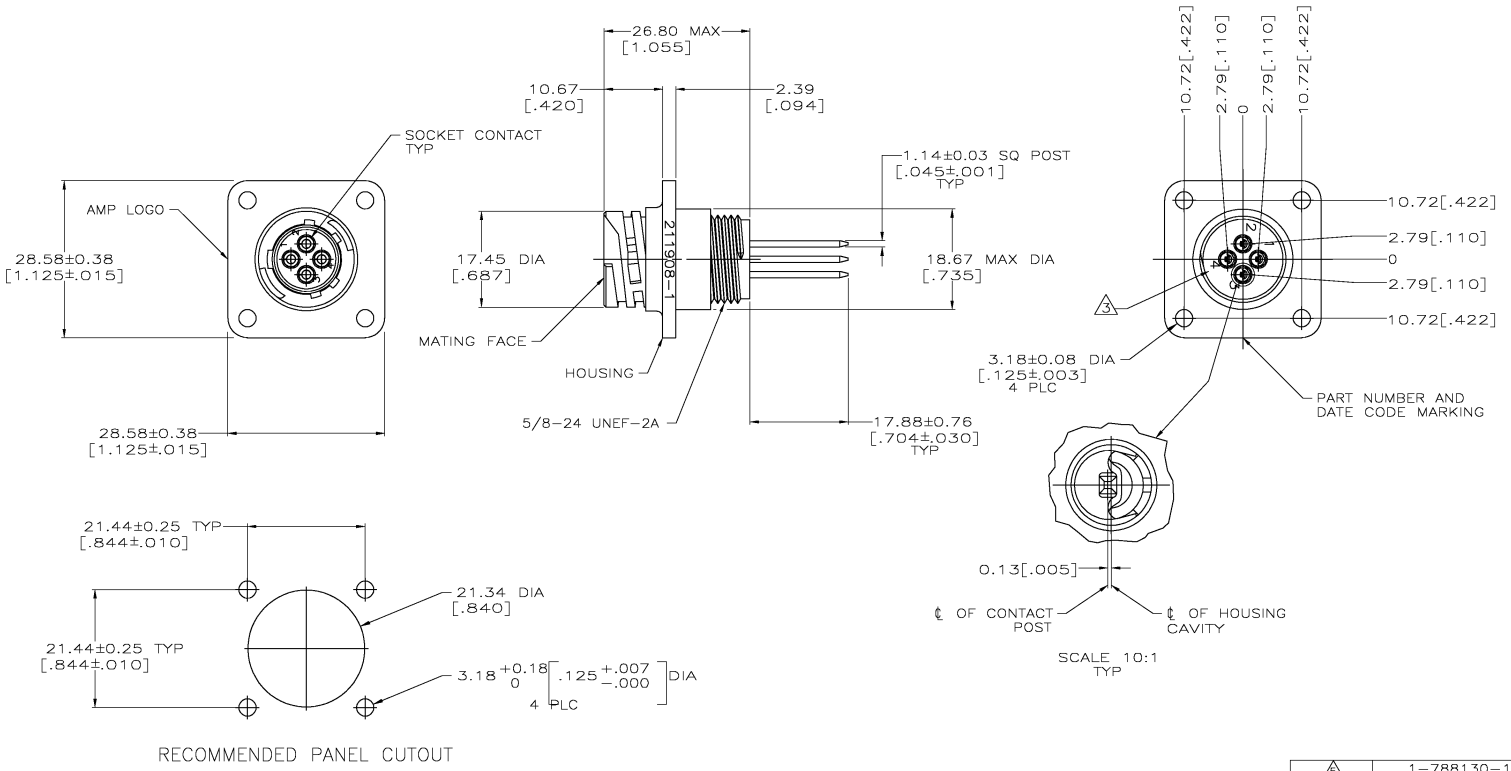
3

2

1

THIS DRAWING IS UNPUBLISHED. RELEASED FOR PUBLICATION  
 © COPYRIGHT BY TYCO ELECTRONICS CORPORATION. ALL RIGHTS RESERVED.

LOC		DIST		REVISIONS			
FT	0	P	LTR	DESCRIPTION	DATE	OWN	APP'D
		A		REVISED PER 0638-0100-05	5/3/05	SS	HW



RECOMMENDED PANEL CUTOUT

- ① HOUSING: POLYESTER, GRAY.  
SOCKET CONTACT & POST: BRASS.  
SPRING: STAINLESS STEEL.
- ② SOCKET CONTACT & POST: 2.54µm[.000100] MIN TIN-LEAD OVER 1.27µm[.000050] MIN NICKEL.
- ③ CAVITY IDENTIFICATION ON FRONT AND REAR FACE.
- 4. RECOMMENDED PC BOARD HOLE SIZE FOR CONTACT POST = 1.40±0.03[.055±.005] DIA.
- ④ SOCKET CONTACT & POST: 2.54µm[.000100] MIN TIN OVER 1.27µm[.000050] MIN NICKEL.

①	1-788130-1
②	788130-1
CONTACT FINISH	PART NUMBER

THIS DRAWING IS A CONTROLLED DOCUMENT.		DW: D. HARDY 18 MAY 97		Tyco Electronics Corporation	
DIMENSIONS: mm [INCHES]		DK: K. STONE 19 MAY 97		Horrisburg, Pa 17105-3608	
TOLERANCES UNLESS OTHERWISE SPECIFIED:		APD: K. DOWLING 19 MAY 97		RECEPTACLE ASSEMBLY, POSTED, 11-4, REVERSE SEX, CIRCULAR PLASTIC CONNECTOR	
0 PLC	±	PRODUCT SPEC		SEE CASE CODE TOWING NO	
1 PLC	±	108-10024		RESTRICTED TO	
2 PLC	± 0.13 (005)	APPLICATION SPEC		A2 00779 ©=788130	
3 PLC	±	114-1003B		SCALE 2:1 SHEET 1 OF 1 REV A	
4 PLC	±	FINISH		CUSTOMER DRAWING	

AMP 1431-9 REV 31 MAR 2000

788130

A