

4

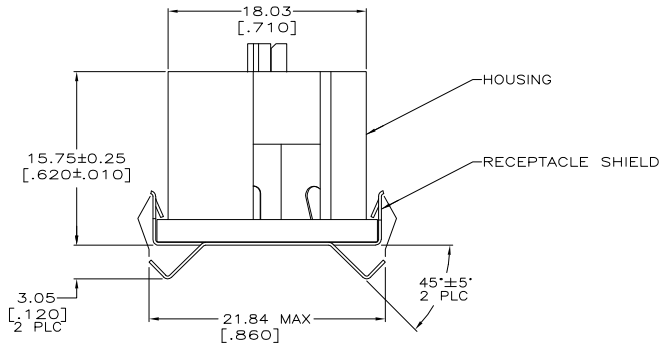
3

2

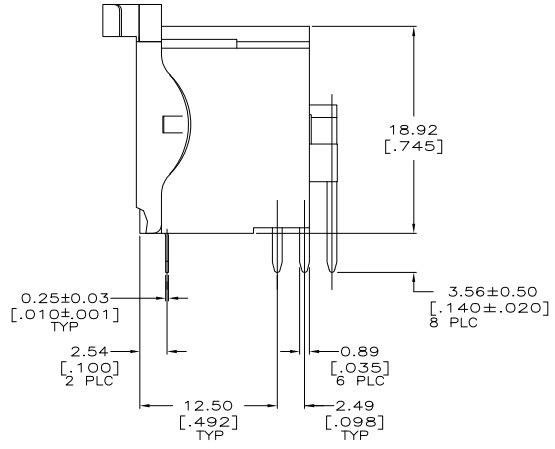
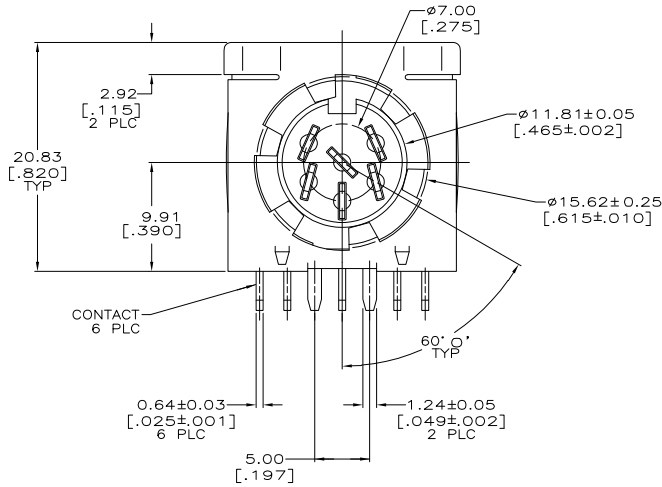
1

THIS DRAWING IS UNPUBLISHED. RELEASED FOR PUBLICATION
 © COPYRIGHT BY TYCO ELECTRONICS CORPORATION. ALL RIGHTS RESERVED.

LOC		DIBT		REVISIONS		
F	LR	DESCRIPTION	DATE	BY	APP'D	
GP	00	01	REVISED PER ECO-07-008008	10APR07	JDP/CWR	



- △ HOUSING: NYLON, UL 94V-0 RATED, BLACK.
- △ CONTACTS & RECEPTACLE SHIELD: BRASS.
- △ CONTACTS & RECEPTACLE SHIELD: 2.54µm [.000100] MIN TIN OVER 1.27µm [.000050] MIN NICKEL.



5786676-1
PART NO

THIS DRAWING IS A CONTROLLED DOCUMENT.		BY: VABELA - DOCKES	DATE: 11-12-04		Tyco Electronics Corporation Harrisburg, PA 17105-3608	
DIMENSIONS: mm [INCHES]		CHK: ROMIDE	DATE: 11-12-04		NAME: M. WALKMSLEY PRODUCT SPEC: 108-10047 APPLICATION SPEC: 114-40025 WEIGHT: - SIZE: A2 CASE CODE (PARTS NO): 00779 C=5786676	
0 PLC ± - 1 PLC ± - 2 PLC ± 0.13 (005) 3 PLC ± - 4 PLC ± - ANGLES ± 0.30°		FINISH: △		RECEPTACLE ASSEMBLY, 6 POSN, RIGHT ANGLE, W/FRONT PANEL GROUNDING FINGERS, CIRCULAR DIN		
MATERIAL: △ △		CUSTOMER DRAWING		RESTRICTED TO: -		
				SCALE: 4:1	SHEET: 1 of 1	REV: 01

AMP 1471-9 REV 31MMR2000

5786676

A