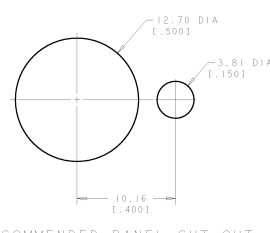
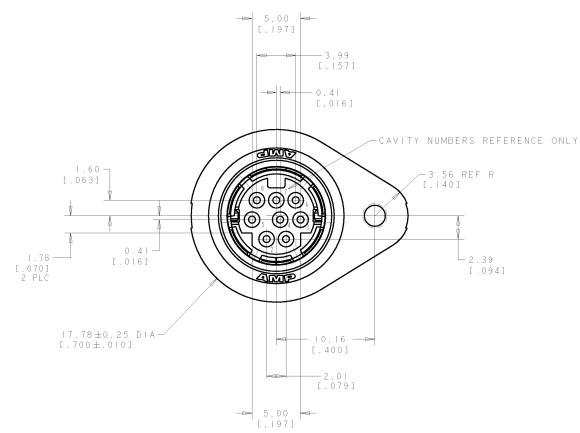
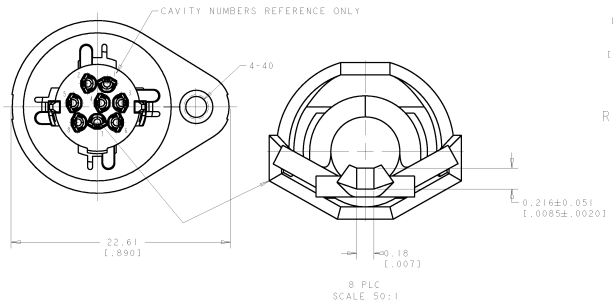
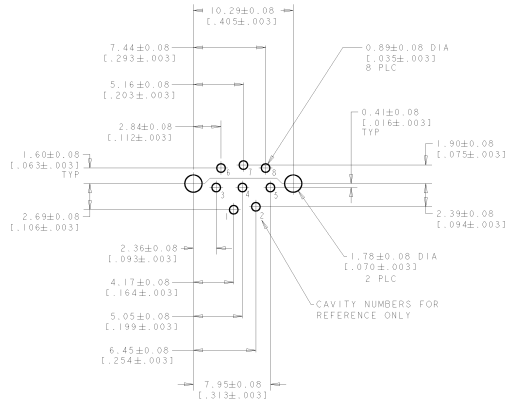
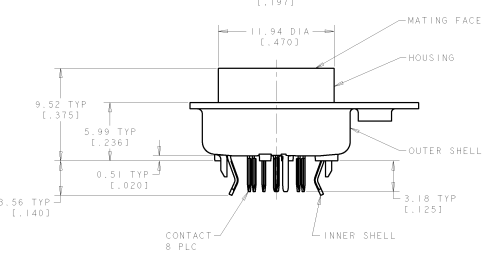


8	7	6	5	4	3	2	1
REVISED DIMENSIONS	REVISED DIMENSIONS						
03 CONTIGUE 14	03 IMP INCONGRUITY 14 03 WHTY 08/07/14						

REV	BY	DATE	REVISIONS	CHK	APP
1					
2					
3					
4					
5					
6					
7					
8					



- △ SHELLS: BRASS; CONTACTS: PHOSPHOR BRONZE; HOUSING: POLYESTER, UL 94V-0 RATED, BLACK.
- △ 0.76 μ m (.000030) MIN GOLD ON MATING END FOR A LENGTH OF 1.37(.054) MIN ON INSIDE, 2.54 μ m (.00100) MIN TIN FOR A LENGTH OF 3.30(1.30) MIN FROM OPPOSITE END, ALL OVER 1.27 μ m (.00050) MIN NICKEL.
- △ 0.38 μ m (.000015) MIN GOLD ON MATING END FOR A LENGTH OF 1.37(.054) MIN ON INSIDE, 2.54 μ m (.00100) MIN TIN FOR A LENGTH OF 3.30(1.30) MIN FROM OPPOSITE END, ALL OVER 1.27 μ m (.00050) MIN NICKEL.
- 4. RECEPTACLE ASSEMBLY MATES WITH 8 PIN, 8.99±0.10(1.354±.004) DIAMETER PLUG.



CONTACT FINISH	5750340-2
PART NO	5750340-1

MILCOTS TERMINAL BLOCKS - SHIELDING		MILCOTS - 37402004		Taya Electronics Singapore Pte. Ltd.
MILCOTS TERMINAL BLOCKS - SHIELDING		MILCOTS - 37402004		
MILCOTS TERMINAL BLOCKS - SHIELDING		MILCOTS - 37402004		
MILCOTS TERMINAL BLOCKS - SHIELDING		MILCOTS - 37402004		
MANUFACTURER PART NO. DIMENSIONS PART NO.	MOUNTING MATERIAL FINISH	RECEPTACLE ASSEMBLY, 8 POSN. LOW FLANGE, SHIELDED VERTICAL, MINIATURE CIRCULAR DIN	TITLE CASE FILE DRAWING NO.	REV DATE
37402004 37402004 37402004 37402004	PLUG BRASS POLYESTER	5750340-2 5750340-1 5750340-2 5750340-1	REC-5750340 00779 00779	1 2011