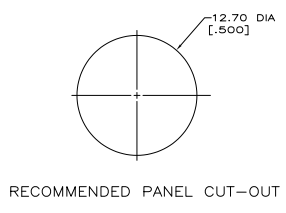
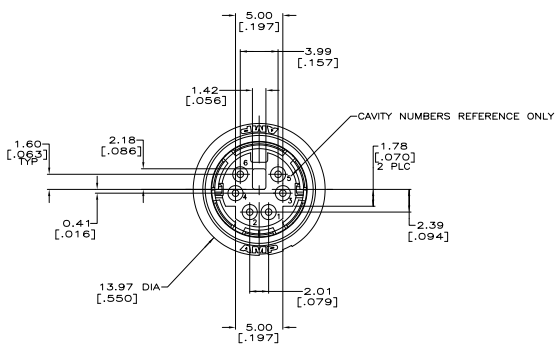


DRAWING MADE IN THIRD ANGLE PROJECTION  
 THIS DRAWING IS UNPUBLISHED. RELEASED FOR PUBLICATION  
 © COPYRIGHT 19 BY AMP INCORPORATED. ALL INTERNATIONAL RIGHTS RESERVED.

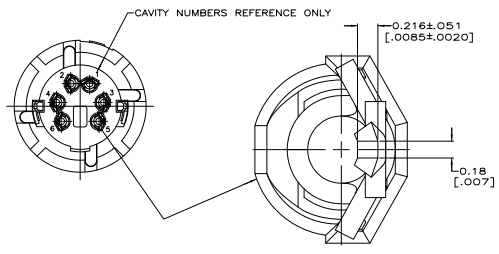
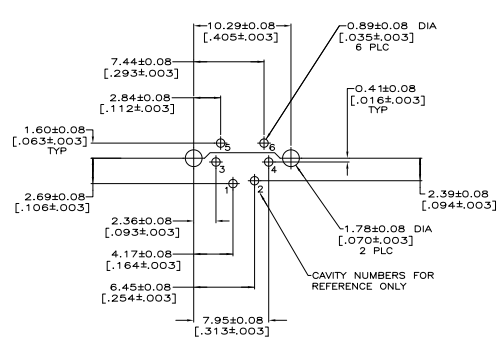
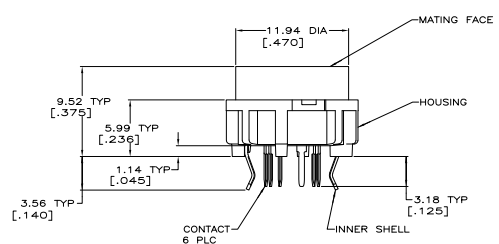
MOD	NO	REV	DATE	APPD
18	GP	00		

REV	DATE	DESCRIPTION	BY	CHK
A	REV PER EC 0513-0177-03			
AT	REVISED PER EC0-09-023313			



- △ SHELL: BRASS; CONTACTS: PHOSPHOR BRONZE; HOUSING: POLYESTER, UL 94V-0 RATED, BLACK.
- △ 0.76 μm [.000030] MIN GOLD ON MATING END FOR A LENGTH OF 1.37[.054] MIN ON INSIDE; 2.54 μm [.000100] MIN TIN-LEAD FOR A LENGTH OF 3.30[.130] MIN FROM OPPOSITE END, ALL OVER 1.27 μm [.000050] MIN NICKEL.
- △ 0.38 μm [.000015] MIN GOLD ON MATING END FOR A LENGTH OF 1.37[.054] MIN ON INSIDE; 2.54 μm [.000100] MIN TIN-LEAD FOR A LENGTH OF 3.30[.130] MIN FROM OPPOSITE END, ALL OVER 1.27 μm [.000050] MIN NICKEL.
- △ 2.54 μm [.000100] MIN TIN-LEAD OVER 1.27 μm [.000050] MIN NICKEL.
- △ GOLD PLATING PER MIL-G-45204, TIN PLATING PER MIL-T-10727, NICKEL PLATING PER QQ-N-290.
- 6. RECEPTACLE ASSEMBLY MATES WITH 6 PIN, 8.99±0.10[.354±.004] DIAMETER PLUG.
- △ 2.54 μm [.000100] MIN TIN OVER 1.27 μm [.000050] MIN NICKEL.
- △ OBSOLETE PARTS: OBSOLETE CIS STREAMLINING PER D.RENAUD/D.SINISI



OBsolete	INNER SHELL	CONTACT FINISH	PART NO
△	△	△	750327-3
△	△	△	750327-2
△	△	△	750327-1

DO NOT SCALE PRINT. UNLESS SPECIFIED DIMENSIONS IN mm [INCHES] TOLERANCES ON 2 PLG DEC ± 0.13[.005] 3 PLG DEC ± 0.13[.005] ANGLES ± -	DR 8-6-90 R-SHREY CHK - APPD - MATERIAL PRODUCT SPEC FINISH SEE TABLE	AMP Incorporated Harrisburg, PA 17105-3608 NAME RECEPTACLE ASSEMBLY, 6 POSN, LOW FLANGE, UNSHIELDED, VERTICAL, MINIATURE CIRCULAR DIN	SIZE D 00779	DRAWING NO 750327
---	--	--	--------------------	----------------------



CUSTOMER DRAWING