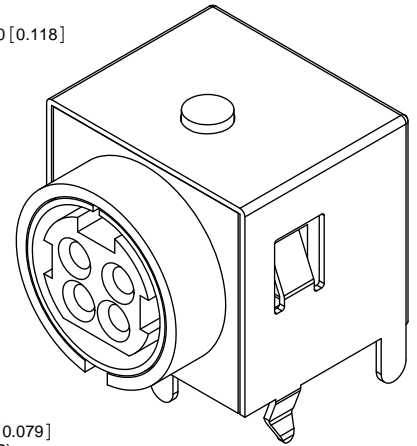
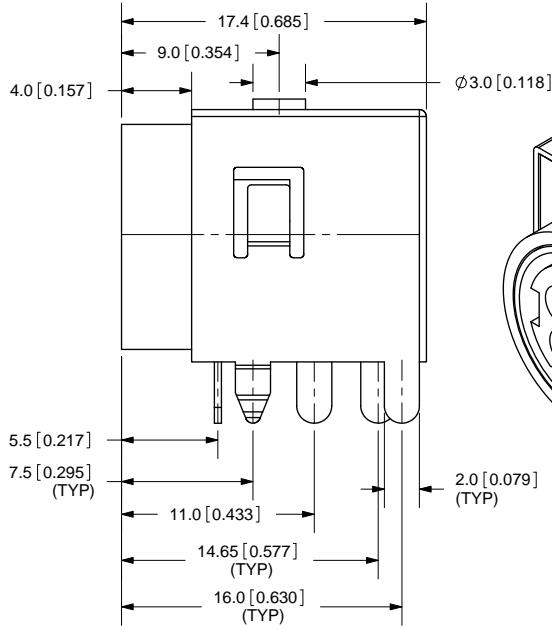
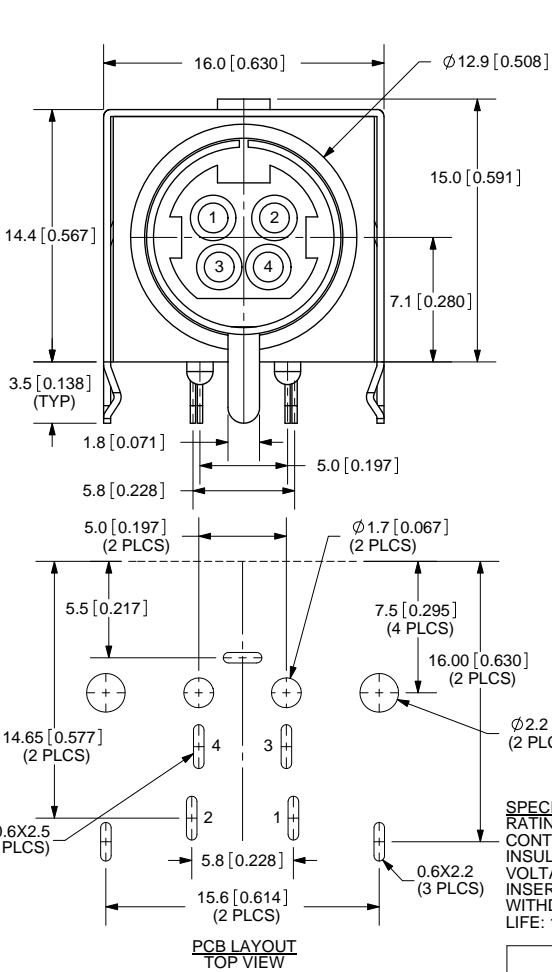


REV.	DESCRIPTION	DATE
A	NEW DRAWING	11/19/2008
B	update to title and tolerance	9/8/2009



TOLERANCE:  
±0.2mm UNLESS OTHERWISE  
SPECIFIED



20050 SW 112th Ave.  
Tualatin, OR 97062  
Phone: 503-612-2300  
800-275-4899  
Fax: 503-612-2383  
Website: www.cui.com

**SPECIFICATIONS:**  
RATING: 20V DC @ 7.5A  
CONTACT RESISTANCE: 30m OHMS MAX  
INSULATION RESISTANCE: 50M OHMS MIN: 250V DC  
VOLTAGE WITHSTAND: 250V AC R.M.S. FOR 1 MINUTE  
INSERTION FORCE: 6.0KG MAX  
WITHDRAWAL FORCE: 0.5 - 6.0KG  
LIFE: 1,000 CYCLES

	MATERIAL	PLATING	TITLE: 4-PIN POWER DIN JACK, RIGHT ANGLE, WITH SHIELDING	REV: B
TERMINALS 1-4	Brass	Tin	PART NO. PD-40S	UNITS: MM [INCHES]
EARTH TERMINAL	Brass	Tin		
SHIELD	Steel	Tin	DRAWN BY: ZRJ	APPROVED BY:
HOUSING	PBT			

PC FILE NAME:  
PD-40S

COPYRIGHT 2008 BY CUI INC.