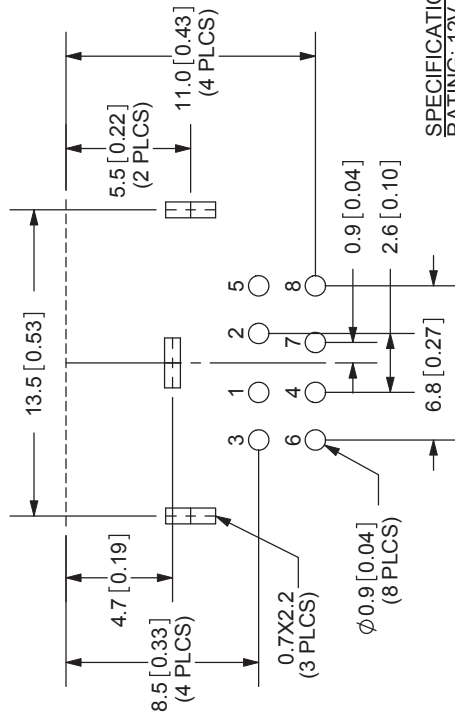
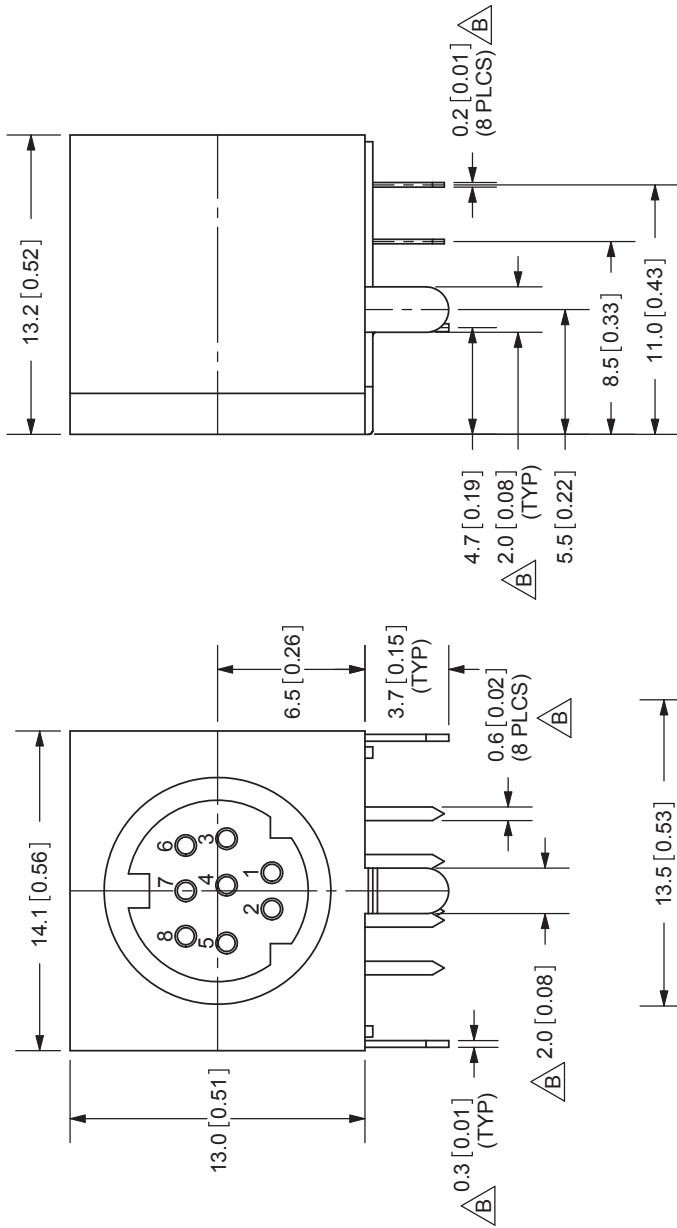
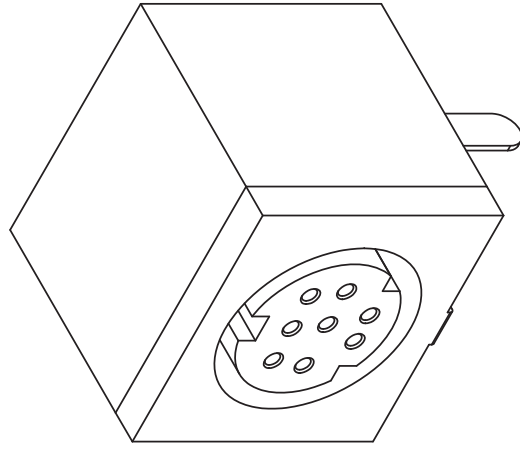


REV.	DESCRIPTION	DATE
A	NEW DRAWING	1/30/2006
B	Added missing dimensions	3/31/2008



SPECIFICATIONS:
 RATING: 12V DC @ 2A; 100V AC @ 1A
 INSULATION RESISTANCE: 50M OHMS MIN; 250V DC
 VOLTAGE WITHSTAND: 250V AC R.M.S. FOR 1 MINUTE
 CONTACT RESISTANCE: 30m OHMS MAX
 INSERTION FORCE: 1.0KG~4.5KG MAX
 WITHDRAWAL FORCE: 0.8KG~3.0KG
 LIFE: 5,000 CYCLES
 OPERATING TEMP: -40° ~ +85°C

PCB LAYOUT
TOP VIEW



TOLERANCE:
±0.2mm



CUI INC

20050 SW 112th Ave.
 Tualatin, OR 97062
 Phone: 503-612-2300
 800-275-4899
 Fax: 503-612-2383
 Website: www.cui.com

TITLE: MINIATURE CIRCULAR DIN CONNECTOR	REV: B
PART NO: MD-80SF	UNITS: MM [INCHES]
DRAWN BY: ZRJ	APPROVED BY:
	SCALE: 3:1

CONTACT TERMINALS (1-8)	MATERIAL	PLATING
	Phosphor Bronze	Silver
EARTH TERMINALS	Brass	Tin
HOUSING	PBT	

PC FILE NAME: MD-80SF
 COPYRIGHT 2008 BY CUI INC.