

SACC-DSIV-M12FSD-4CON-L90

Order No.: 1534630

<http://eshop.phoenixcontact.de/phoenix/treeViewClick.do?UID=1534630>

Bus system flush-type socket, ETHERNET, 4-pos., M12, shielded, D-coded, rear/screw mounting, with angled solder connection

**PROFI
NET** Ethernet**Commercial data**

EAN	4046356026802
Pack	10 pcs.
Customs tariff	85369010
Weight/Piece	0.01433 KG
Catalog page information	Page 31 (PC-2009)

Product notesWEEE/RoHS-compliant since:
03/20/2006

<http://www.download.phoenixcontact.com>
Please note that the data given here has been taken from the online catalog. For comprehensive information and data, please refer to the user documentation. The General Terms and Conditions of Use apply to Internet downloads.

Technical data**General data**

Nominal current I_N	4 A
Nominal voltage U_N	250 V
Number of positions	4
Volume resistance	$\leq 3 \text{ m}\Omega$

Insulation resistance	$\geq 100 \text{ M}\Omega$
Ambient temperature (operation)	-25 °C ... 85 °C

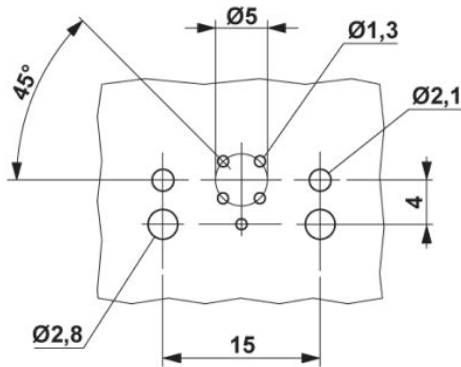
General characteristics

Coding	D - data
Surge voltage category	II
Pollution degree	3
Degree of protection	IP67
Contact material	CuZn
Contact surface material	Au
Contact carrier material	PA 66
Material, knurls	Nickel-plated brass
Sealing material	NBR
Mounting type	Rear mounting M12 x 1 With locking nut
Type of connection	Solder pins
Status display	No

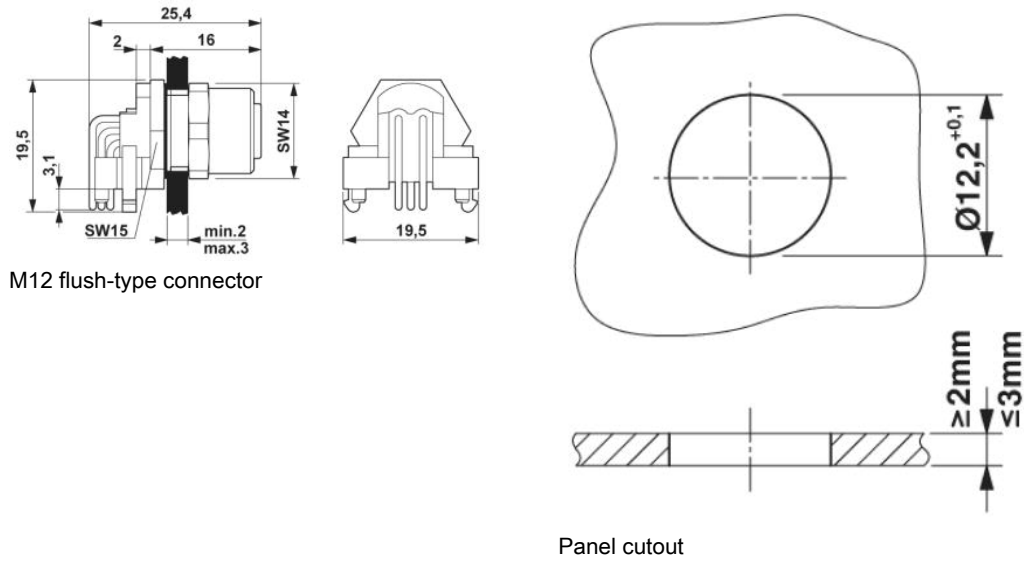
Diagrams/Drawings

Drilling plan/solder pad geometry

M12 flush-type connector



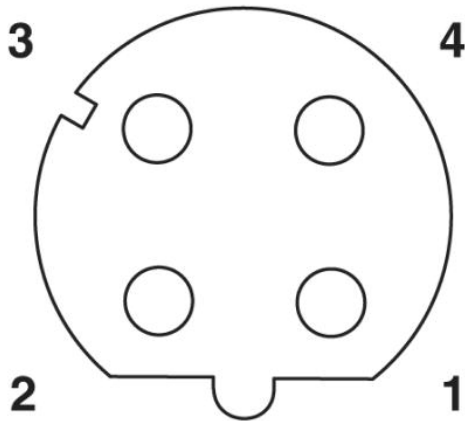
Dimensioned drawing



M12 flush-type connector

Panel cutout

Schematic diagram



Pin assignment M12 female connector, 4-pos., D-coded, female side

Address

PHOENIX CONTACT Inc., USA
586 Fulling Mill Road
Middletown, PA 17057, USA
Phone (800) 888-7388
Fax (717) 944-1625
<http://www.phoenixcon.com>



© 2010 Phoenix Contact
Technical modifications reserved;