

# SACC-DSI-FSD-4CON-L180/12 SCO

Order No.: 1552272



<http://eshop.phoenixcontact.de/phoenix/treeViewClick.do?UID=1552272>


Bus system flush-type socket, ETHERNET, 4-pos., M12 SPEEDCON, D-coded, rear/screw mounting with PG9 thread, with straight solder connection, design with 12 mm long solder pins

**PROFIT** Ethernet

| Commercial data          |                   |
|--------------------------|-------------------|
| EAN                      | 4046356162128     |
| Pack                     | 20 pcs.           |
| Customs tariff           | 85366990          |
| Weight/Piece             | 0.0144 KG         |
| Catalog page information | Page 28 (PC-2009) |

**Product notes**

WEEE/RoHS-compliant since: 04/13/2007



<http://www.download.phoenixcontact.com>  
Please note that the data given here has been taken from the online catalog. For comprehensive information and data, please refer to the user documentation. The General Terms and Conditions of Use apply to Internet downloads.

| Technical data        |                          |
|-----------------------|--------------------------|
| <b>General data</b>   |                          |
| Nominal current $I_N$ | 4 A                      |
| Nominal voltage $U_N$ | 250 V                    |
| Number of positions   | 4                        |
| Volume resistance     | $\leq 3 \text{ m}\Omega$ |

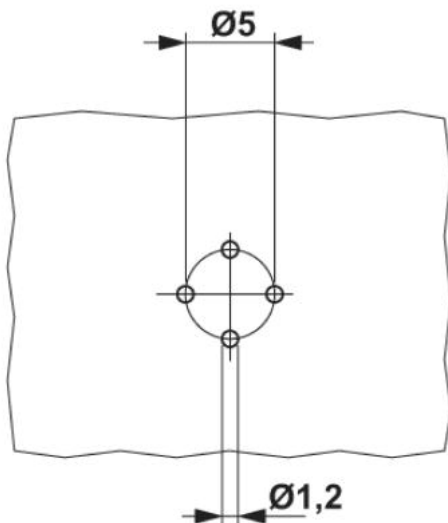
|                                 |                                |
|---------------------------------|--------------------------------|
| Insulation resistance           | $\geq 100 \text{ M}\Omega$     |
| Ambient temperature (operation) | -25 °C ... 85 °C (plug/socket) |

#### General characteristics

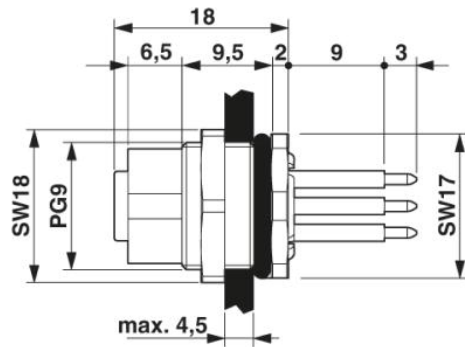
|                               |                                 |
|-------------------------------|---------------------------------|
| Coding                        | D - data                        |
| Surge voltage category        | II                              |
| Pollution degree              | 3                               |
| Degree of protection          | IP67                            |
| Contact material              | CuZn                            |
| Contact surface material      | Au                              |
| Contact carrier material      | PA 66                           |
| Material, knurls              | Zinc die-cast, (nickel-plated)  |
| Sealing material              | NBR                             |
| Mounting type                 | Rear mounting Pg9 With flat nut |
| Type of connection            | Solder pins                     |
| Length of the solder contacts | 12 mm                           |
| Status display                | No                              |

#### Diagrams/Drawings

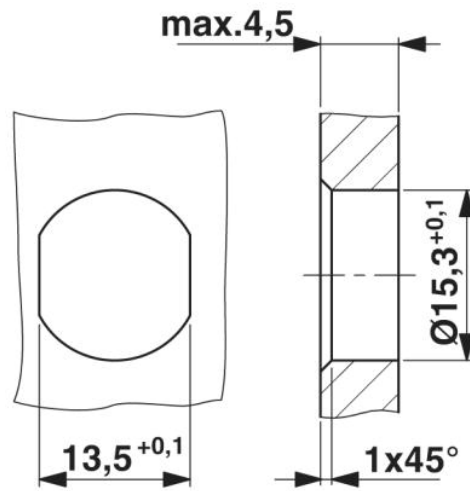
Drilling plan/solder pad geometry



Dimensioned drawing

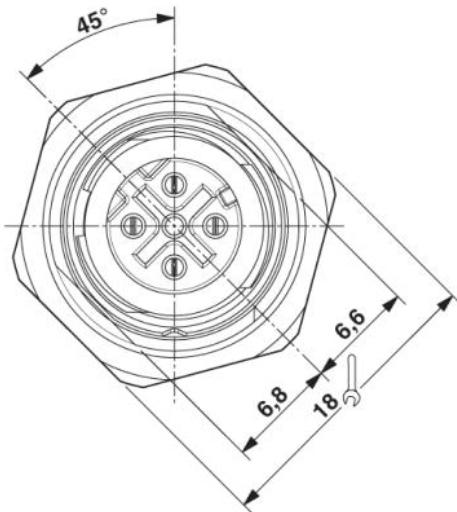


M12 flush-type connector

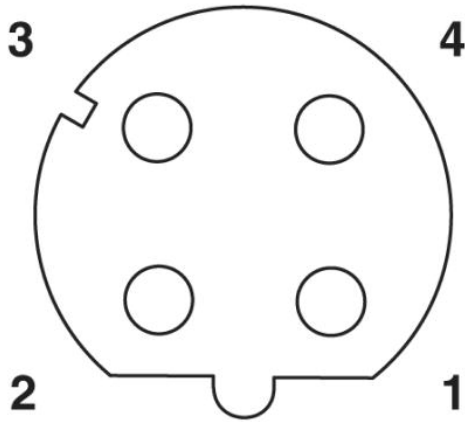


Housing cutout for Pg9 fastening thread,  
mounting panel with feed-through hole  
(alternatively with surface as protection against  
rotation)

M12 front view



Schematic diagram



Pin assignment M12 female connector, 4-pos., D-coded, female side

**Address**

PHOENIX CONTACT Inc., USA  
586 Fulling Mill Road  
Middletown, PA 17057, USA  
Phone (800) 888-7388  
Fax (717) 944-1625  
<http://www.phoenixcon.com>



© 2010 Phoenix Contact  
Technical modifications reserved;