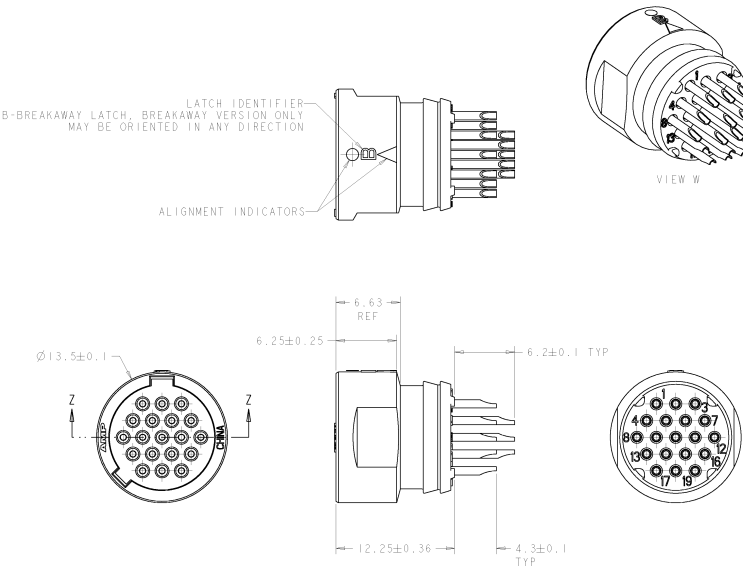
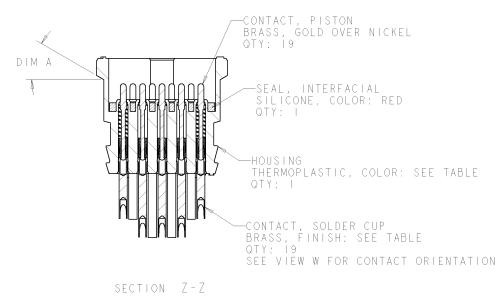


REV. NO.	DATE	DESCRIPTION	BY	CHKD.	APP'D.
0					
1	06/28/2007	RELEASED EC 0628-0370-04	WOLFRUM	DA	HW
2		REVISED EC 0628-0370-04	WOLFRUM	DA	HW
3		REVISED PER ECO-06-2703	WOLFRUM	DA	HW
4		REVISED ECO-04-02918	WOLFRUM	DA	HW



VIEW W
 SOLDER TERMINATION AREA OF ALL CONTACTS IN CIRCUITS #8 THRU #12 MAY BE ORIENTED UP OR DOWN.

QTY	CIRCUITS LOADED	FINISH	A	COLOR	LATCH	PART NUMBER
11	4-7,9,10,11,13-16	TIN OVER NICKEL	30°	WHITE	BREAKAWAY	4-1445757-3
11	4-7,9,10,11,13-16	TIN OVER NICKEL	0°	BLACK	POSITIVE	4-1445757-2
10	4-7,9,11,13-16	TIN OVER NICKEL	30°	WHITE	BREAKAWAY	4-1445757-1
10	4-7,9,11,13-16	TIN OVER NICKEL	0°	BLACK	POSITIVE	4-1445757-0
9	1,3,5,6,10,14,15,17,19	TIN OVER NICKEL	30°	WHITE	BREAKAWAY	3-1445757-9
9	1,3,5,6,10,14,15,17,19	TIN OVER NICKEL	0°	BLACK	POSITIVE	3-1445757-8
8	1,3,5,6,14,15,17,19	TIN OVER NICKEL	30°	WHITE	BREAKAWAY	3-1445757-7
8	1,3,5,6,14,15,17,19	TIN OVER NICKEL	0°	BLACK	POSITIVE	3-1445757-6
12	1-4,7,8,12,13,16-19	TIN OVER NICKEL	30°	WHITE	BREAKAWAY	3-1445757-5
12	1-4,7,8,12,13,16-19	TIN OVER NICKEL	0°	BLACK	POSITIVE	3-1445757-4
13	1-4,7,8,10,12,13,16-19	TIN OVER NICKEL	30°	WHITE	BREAKAWAY	3-1445757-3
13	1-4,7,8,10,12,13,16-19	TIN OVER NICKEL	0°	BLACK	POSITIVE	3-1445757-2
14	1-4,7-9,11-13,16-19	TIN OVER NICKEL	30°	WHITE	BREAKAWAY	3-1445757-1
14	1-4,7-9,11-13,16-19	TIN OVER NICKEL	0°	BLACK	POSITIVE	3-1445757-0
15	1-4,7-10,11-13,16-19	TIN OVER NICKEL	30°	WHITE	BREAKAWAY	2-1445757-9
15	1-4,7-10,11-13,16-19	TIN OVER NICKEL	0°	BLACK	POSITIVE	2-1445757-8
16	1-8,12,13-19	TIN OVER NICKEL	30°	WHITE	BREAKAWAY	2-1445757-7
16	1-8,12,13-19	TIN OVER NICKEL	0°	BLACK	POSITIVE	2-1445757-6
17	1-8,10,12-19	TIN OVER NICKEL	30°	WHITE	BREAKAWAY	2-1445757-5
17	1-8,10,12-19	TIN OVER NICKEL	0°	BLACK	POSITIVE	2-1445757-4
18	1-9,11-19	TIN OVER NICKEL	30°	WHITE	BREAKAWAY	2-1445757-3
18	1-9,11-19	TIN OVER NICKEL	0°	BLACK	POSITIVE	2-1445757-2
19	ALL	TIN OVER NICKEL	30°	WHITE	BREAKAWAY	2-1445757-1
19	ALL	TIN OVER NICKEL	0°	BLACK	POSITIVE	2-1445757-0
12	1-4,7,8,12,13,16-19	TIN-LEAD OVER NICKEL	30°	WHITE	BREAKAWAY	1-1445757-6
12	1-4,7,8,12,13,16-19	TIN-LEAD OVER NICKEL	0°	BLACK	POSITIVE	1-1445757-5
13	1-4,7,8,10,12,13,16-19	TIN-LEAD OVER NICKEL	30°	WHITE	BREAKAWAY	1-1445757-4
13	1-4,7,8,10,12,13,16-19	TIN-LEAD OVER NICKEL	0°	BLACK	POSITIVE	1-1445757-3
14	1-4,7-9,11-13,16-19	TIN-LEAD OVER NICKEL	30°	WHITE	BREAKAWAY	1-1445757-2
14	1-4,7-9,11-13,16-19	TIN-LEAD OVER NICKEL	0°	BLACK	POSITIVE	1-1445757-1
15	1-4,7-10,11-13,16-19	TIN-LEAD OVER NICKEL	30°	WHITE	BREAKAWAY	1-1445757-0
15	1-4,7-10,11-13,16-19	TIN-LEAD OVER NICKEL	0°	BLACK	POSITIVE	1445757-9
16	1-8,12,13-19	TIN-LEAD OVER NICKEL	30°	WHITE	BREAKAWAY	1445757-8
16	1-8,12,13-19	TIN-LEAD OVER NICKEL	0°	BLACK	POSITIVE	1445757-7
17	1-8,10,12-19	TIN-LEAD OVER NICKEL	30°	WHITE	BREAKAWAY	1445757-6
17	1-8,10,12-19	TIN-LEAD OVER NICKEL	0°	BLACK	POSITIVE	1445757-5
18	1-9,11-19	TIN-LEAD OVER NICKEL	30°	WHITE	BREAKAWAY	1445757-4
18	1-9,11-19	TIN-LEAD OVER NICKEL	0°	BLACK	POSITIVE	1445757-3
19	ALL	TIN-LEAD OVER NICKEL	30°	WHITE	BREAKAWAY	1445757-2
19	ALL	TIN-LEAD OVER NICKEL	0°	BLACK	POSITIVE	1445757-1



CONTACTS	HOUSING	PART NUMBER
----------	---------	-------------

100% PATENTED IN THE U.S.A. AND OTHER COUNTRIES

DATE: 06/28/2007	BY: TONY ELECTRONICS CORPORATION
DESIGNED BY: T. WOLFRUM	DRAWN BY: T. WOLFRUM
CHECKED BY: T. WOLFRUM	APP'D. BY: T. WOLFRUM

RECEPTACLE ASSEMBLY, 19 POSITION, FREE HANGING, SPRING PROBE, SOLDER CUP, MICRO CPC.

QTY: 1
 A 100779 1445757

CUSTOMER DRAWING: 100779 1445757