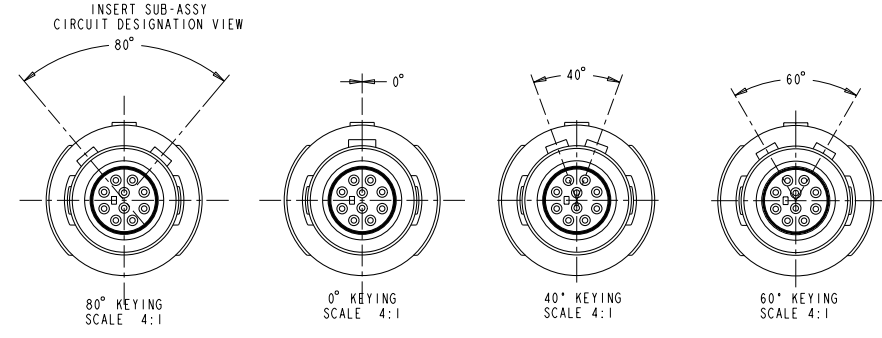
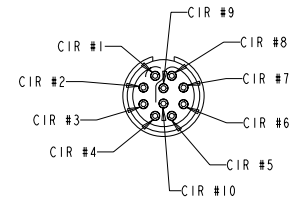
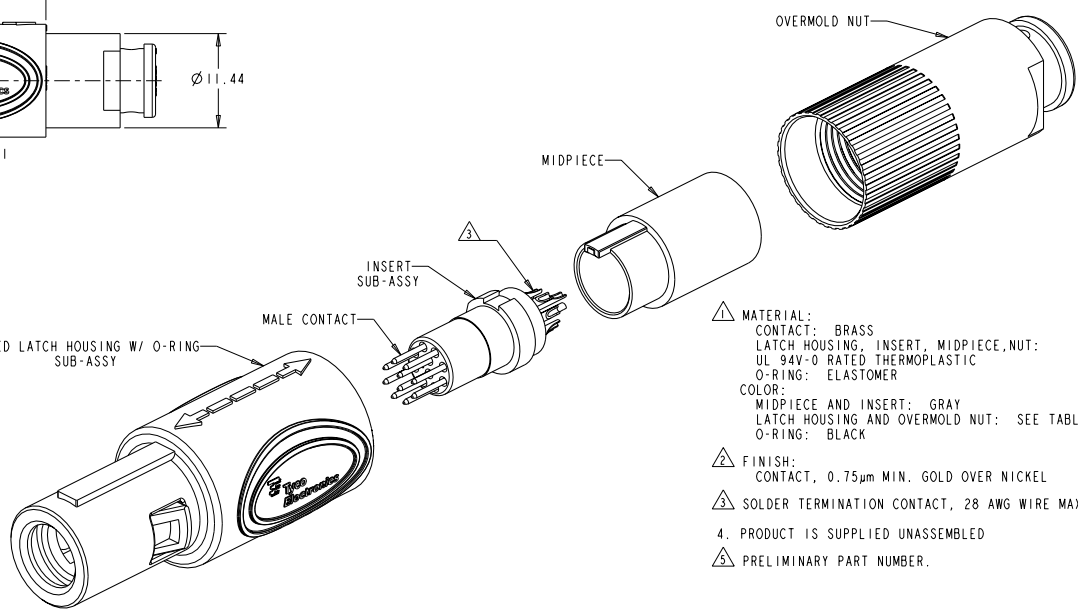


REV	DATE	BY	CHK	APPROV
B3	06SEP2006	JMR	DR	
B4	01APR2009	MF	DR	



LATCH HOUSING AND NUT COLOR	KEYING	PART NO.
GRAY	60°	1877852-8
BLACK	60°	1877852-7
GRAY	40°	1877852-6
BLACK	40°	1877852-5
GRAY	80°	1877852-4
GRAY	0°	1877852-3
BLACK	80°	1877852-2
BLACK	0°	1877852-1

DIMENSIONS: mm 0 PLC ±0.13 1 PLC ±0.08 2 PLC ±0.08 3 PLC ±0.08 4 PLC ±0.08 ANGLES ±1° FINISH		PRODUCT SPEC: 108-2249 APPLICATION SPEC: 114-13184 WEIGHT: - CUSTOMER DRAWING	DATE: 09MAR2006 CASE CODE: 09MAR2006 DRAWING NO: A200779 REV: B4	Tyco Electronics Harrisburg, PA 17105-3608
---	--	--	---	---