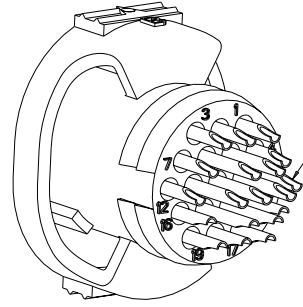


| REV | DATE | DESCRIPTION | BY | CHK | APP |
|-----|-----------------------|-------------|----------|-----|-----|
| C | REVISED ECO-04-003480 | | STURMANN | SM | ST |
| CT | REVISED ECO-04-025018 | | STURMANN | SM | DC |

LATCH IDENTIFIER, B-BREAKAWAY LATCH
BREAKAWAY VERSION ONLY,
MAY BE ORIENTED IN ANY DIRECTION

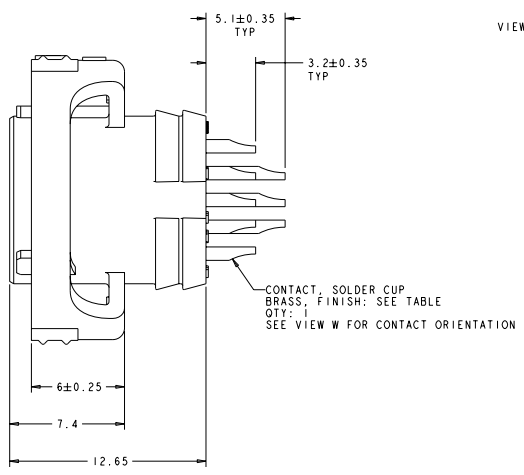
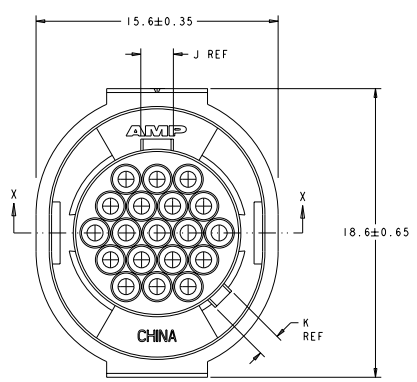
ALIGNMENT INDICATOR



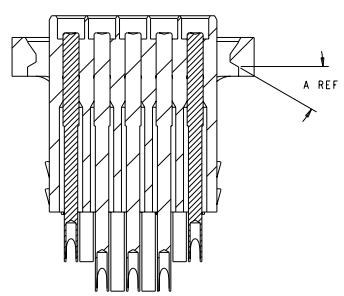
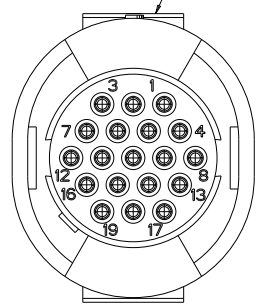
SOLDER TERMINATION AREA OF ALL
CONTACTS IN CIRCUITS #8 THRU #12
MAY BE ORIENTED UP OR DOWN

VIEW W

HOUSING,
THERMOPLASTIC, COLOR: SEE TABLE
QTY: 1



CONTACT, SOLDER CUP
BRASS, FINISH: SEE TABLE
QTY: 1
SEE VIEW W FOR CONTACT ORIENTATION



SECTION X-X

| | | |
|--|--|--|
| DRAWN: mm CHECKED: mm DATE: 27 JUL 2004 BY: mm DATE: 27 JUL 2004 BY: mm | SERIAL: 445E2001 QTY: 445E2001 PART: 27 JUL 2004 QTY: 445E2001 DATE: 27 JUL 2004 BY: mm | TPC ELECTRONICS Harrisburg, PA 17105-3600 ASSEMBLY, PLUG, SOLDER CUP, 19 POSITION, MICRO CPC SCALE CODE: 00779 CUSTOMER DRAWING |
|--|--|--|

