

4

3

2

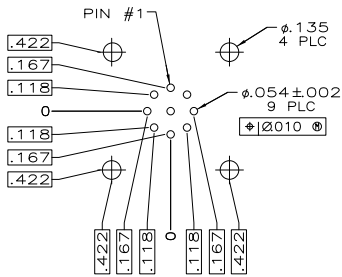
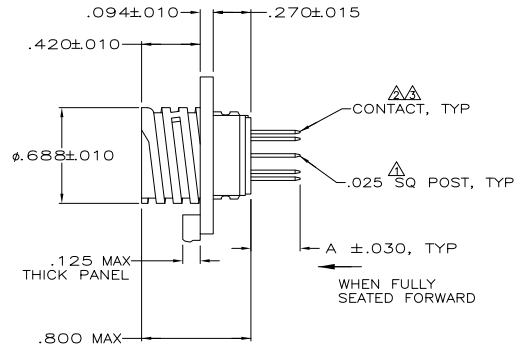
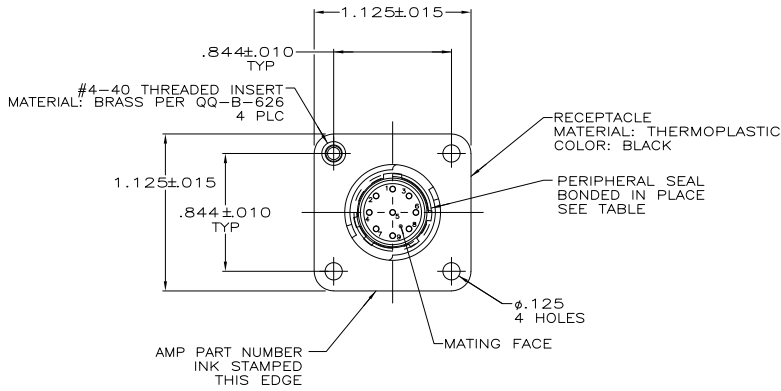
1

THIS DRAWING IS UNPUBLISHED. RELEASED FOR PUBLICATION  
 © COPYRIGHT - By - ALL RIGHTS RESERVED.

| LOC |    | DIBT                      |         | REVISIONS |      |  |
|-----|----|---------------------------|---------|-----------|------|--|
| P   | LR | DESCRIPTION               | DATE    | BY        | APPD |  |
| T1  |    | REVISED PER ECO-11-004917 | 11MAR11 | RK        | HMR  |  |

NOTES:

- ⚠ POSTS WILL BE ORIENTED WITH SEAM TOWARD INK STAMPED EDGE, OR ROTATED 180°.
- ⚠ .000030 MIN GOLD FOR A LENGTH OF .200 MIN FROM MATING END, .000100 MIN TIN-LEAD FOR A LENGTH OF DIMENSION 'A' FROM OPPOSITE END, ALL OVER .000050 MIN NICKEL.
- ⚠ .000030 MIN GOLD FOR A LENGTH OF .200 MIN FROM MATING END, .000100 MIN TIN FOR A LENGTH OF DIMENSION 'A' FROM OPPOSITE END, ALL OVER .000050 MIN NICKEL.



RECOMMENDED PC BOARD LAYOUT

|                |   |       |                 |                  |             |
|----------------|---|-------|-----------------|------------------|-------------|
|                | ⚠ | .125  | NO              | NO               | 1-206852-2  |
|                | ⚠ | .352  | NO              | NO               | 1-206852-1  |
| PRELIMINARY    | ⚠ | .125  | YES             | YES              | 1-206852-0  |
| PRELIMINARY    | ⚠ | .796  | YES             | YES              | 206852-9    |
|                | ⚠ | -     | NO              | YES              | 206852-8    |
| OBsolete       | ⚠ | -     | NO              | NO               | 206852-7    |
| OBsolete       | ⚠ | -     | NO              | NO               | 206852-6    |
| OBsolete       | ⚠ | -     | NO              | NO               | 206852-5    |
| OBsolete       | ⚠ | .352  | NO              | NO               | 206852-4    |
| OBsolete       | ⚠ | .574  | NO              | NO               | 206852-3    |
|                | ⚠ | .125  | NO              | NO               | 206852-2    |
|                | ⚠ | .352  | NO              | NO               | 206852-1    |
| CONTACT FINISH |   | DIM A | PERIPHERAL SEAL | THREADED INSERTS | PART NUMBER |

THIS DRAWING IS A CONTROLLED DOCUMENT.

INCHES

0 PLC ± -

1 PLC ± .005

2 PLC ± .010

3 PLC ± .015

4 PLC ± .020

ANGLES ± .030°

MATERIAL SEE CALLOUT

FINISH

DATE: 2-22-91

BY: J. GALLUCCI

DATE: 4-13-92

CHK: W. G. LENKER

NAME: 108-10024

PRODUCT SPEC: 108-10024

APPLICATION SPEC:

WEIGHT:

SIZE: A2

CAGE CODE: 00779

DRAWING NO: C-206852

RESTRICTED TO:

CUSTOMER DRAWING

SCALE: 2:1

SHEET: 1 of 1

REV: T1

TE Connectivity

RECEPTACLE ASSEMBLY, POSTED, STD SEX, SERIES 2, 11-9, CPC