

4

3

2

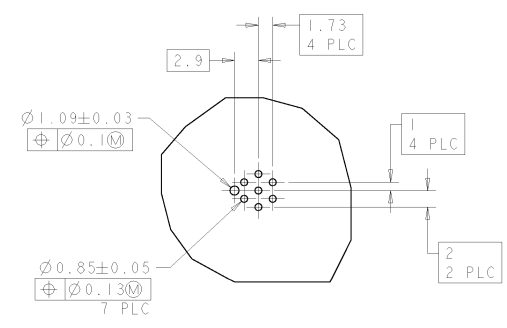
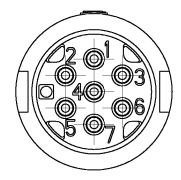
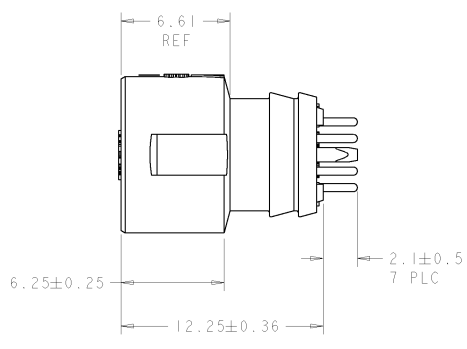
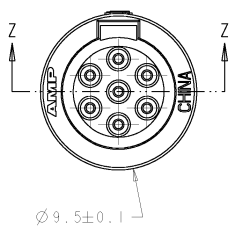
1

THIS DRAWING IS UNPUBLISHED. RELEASED FOR PUBLICATION BY TYCO ELECTRONICS CORPORATION. ALL RIGHTS RESERVED. (C) COPYRIGHT 2004

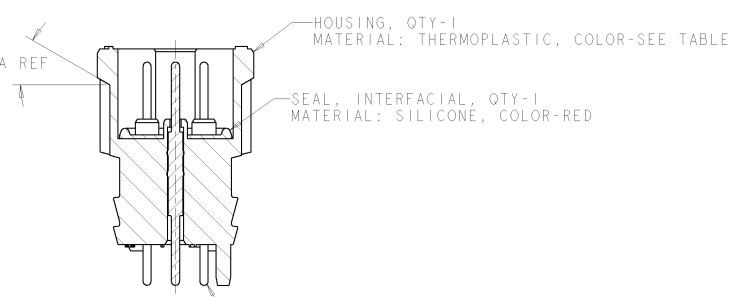
| REVOLUTIONS | | DATE | BY | CHKD |
|-------------|--------------------------|-----------|----|------|
| REV | DESCRIPTION | | | |
| B | RELEASED EC 063B-0570-04 | 27JUL2004 | SW | HW |

LATCH IDENTIFIER, B-BREAKAWAY LATCH
BREAKAWAY VERSION ONLY.
MAY BE ORIENTED IN ANY DIRECTION

ALIGNMENT INDICATORS
SEE TABLE FOR COLOR



SUGGESTED PRINTED CIRCUIT BOARD LAYOUT



| HOUSING COLOR | INDICATOR COLOR | CONTACT CIRCUITS | LATCH | A REF | PART NUMBER |
|---------------|-----------------|------------------|-----------|-------|-------------|
| WHITE | WHITE | 1, 7 | BREAKAWAY | 30° | 1-1445691-2 |
| BLACK | WHITE | 1, 7 | POSITIVE | 0° | 1-1445691-1 |
| WHITE | WHITE | 2, 3, 7 | BREAKAWAY | 30° | 1-1445691-0 |
| BLACK | WHITE | 2, 3, 7 | POSITIVE | 0° | 1445691-09 |
| WHITE | WHITE | 2, 3, 5, 6 | BREAKAWAY | 30° | 1445691-08 |
| BLACK | WHITE | 2, 3, 5, 6 | POSITIVE | 0° | 1445691-07 |
| WHITE | WHITE | 2, 3, 4, 5, 6 | BREAKAWAY | 30° | 1445691-06 |
| BLACK | WHITE | 2, 3, 4, 5, 6 | POSITIVE | 0° | 1445691-05 |
| WHITE | WHITE | 1, 2, 3, 5, 6, 7 | BREAKAWAY | 30° | 1445691-04 |
| BLACK | WHITE | 1, 2, 3, 5, 6, 7 | POSITIVE | 0° | 1445691-03 |
| WHITE | WHITE | ALL | BREAKAWAY | 30° | 1445691-02 |
| BLACK | WHITE | ALL | POSITIVE | 0° | 1445691-01 |

| | | | | | | | |
|------------------------------|-----------------|--------------------|-----------------|------------------------------|-----------------|--------------------|-----------------|
| DATE: 27JUL2001 | BY: SHANE WILST | CHKD: 27JUL2001 | APPV: 27JUL2004 | DATE: 27JUL2001 | BY: SHANE WILST | CHKD: 27JUL2001 | APPV: 27JUL2004 |
| TYCO ELECTRONICS CORPORATION | | | | TYCO ELECTRONICS CORPORATION | | | |
| HARRISBURG, PA 17105-3400 | | | | HARRISBURG, PA 17105-3400 | | | |
| DIMENSIONS: mm | | DIMENSIONS: INCHES | | DIMENSIONS: mm | | DIMENSIONS: INCHES | |
| MATERIAL: SEE NOTE | | MATERIAL: SEE NOTE | | MATERIAL: SEE NOTE | | MATERIAL: SEE NOTE | |
| CUSTOMER DRAWING | | CUSTOMER DRAWING | | CUSTOMER DRAWING | | CUSTOMER DRAWING | |
| SCALE: 6:1 | | SCALE: 6:1 | | SCALE: 6:1 | | SCALE: 6:1 | |
| SHEET 1 OF 1 | | SHEET 1 OF 1 | | SHEET 1 OF 1 | | SHEET 1 OF 1 | |
| REV B | | REV B | | REV B | | REV B | |

AMP 1471-0 REV 31MAR2000
PFA/ENGINEER DRAWING