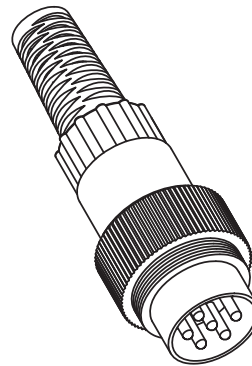
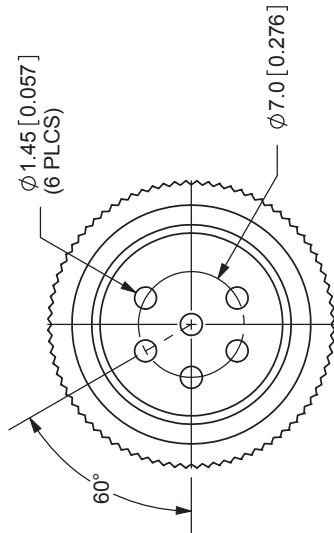
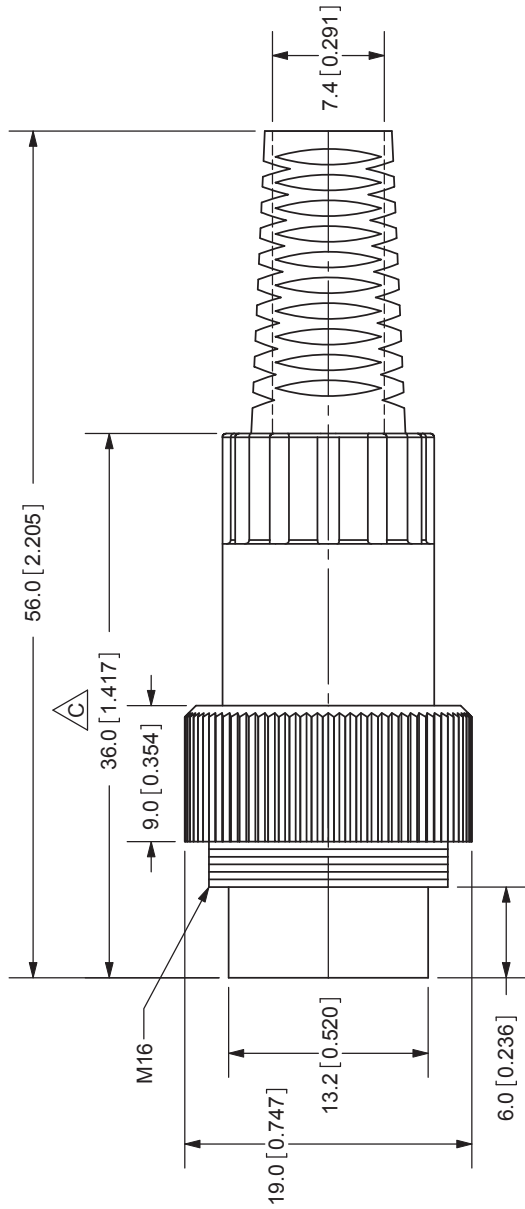


| REV. | DESCRIPTION | DATE |
|------|--------------------------------------|-----------|
| A | NEW DRAWING | 4/6/2006 |
| B | Model update | 10/6/2006 |
| C | dimension change from 34.0 to 36.0mm | 8/4/2008 |



SCALE 1:1



TOLERANCE:
 X.X ±0.2mm
 X.XX ±0.1mm
 X.XXX ±0.05mm



CUI INC

20050 SW 112th Ave.
 Tualatin, OR 97062
 Phone: 503-612-2300
 800-275-4899
 Fax: 503-612-2383
 Website: www.cui.com

| | |
|--------------------------------------|--------------------|
| TITLE: DIN PLUG, LOCKING, IN-LINE 6P | REV: C |
| PART NO: SD-60LP | UNITS: MM [INCHES] |
| DRAWN BY: ZRJ | APPROVED BY: |
| | SCALE: 2:1 |

SPECIFICATIONS:
 RATING: 100V AC @ 2A
 CONTACT RESISTANCE: 20m OHMS MAX
 INSULATION RESISTANCE: 100M OHMS MIN: 500V DC
 VOLTAGE WITHSTAND: 1000V AC R.M.S. FOR 1 MINUTE
 OPERATING TEMP: -40° ~ +85°C

PC FILE NAME: SD-60LP

COPYRIGHT 2008 BY CUI INC.