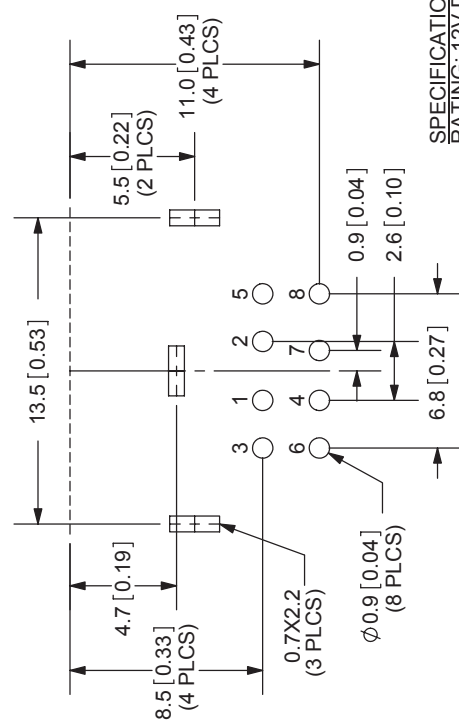
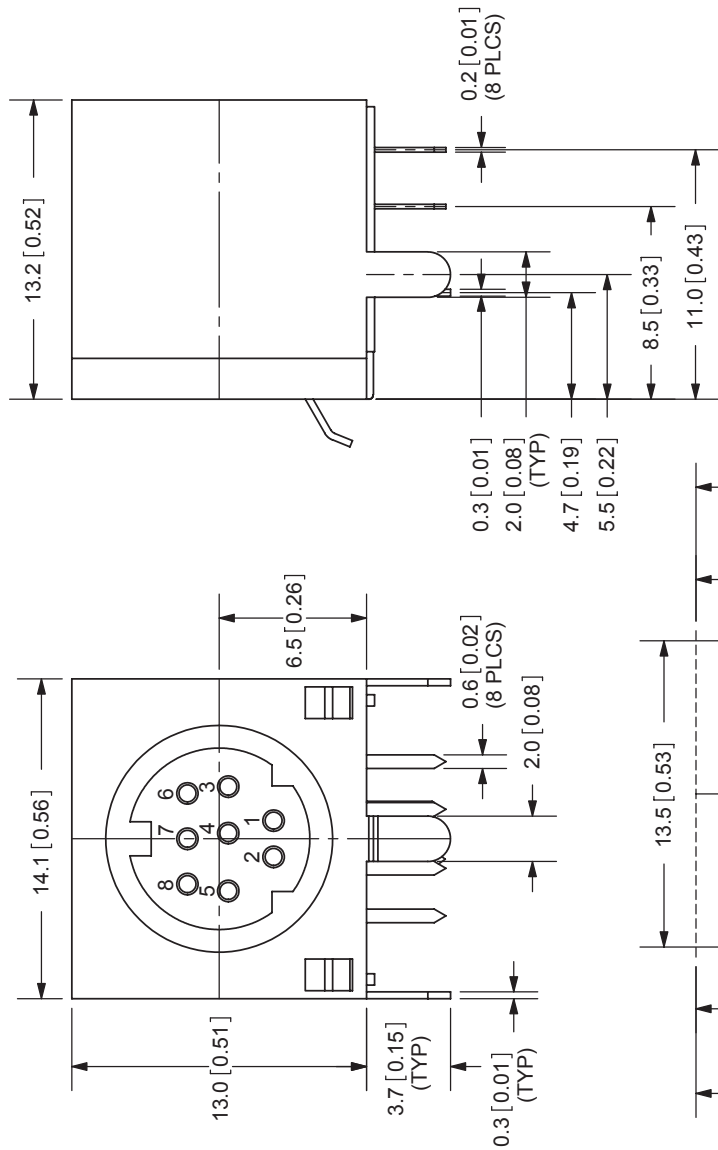
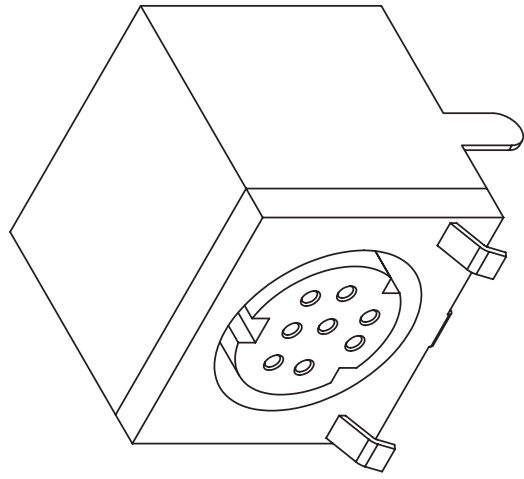


REV.	DESCRIPTION	DATE
A	NEW DRAWING	1/31/2006
B	Added missing dimensions	11/7/2006



SPECIFICATIONS:
 RATING: 12V DC @ 2A; 100V AC @ 1A
 INSULATION RESISTANCE: 50M OHMS MIN; 250V DC
 VOLTAGE WITHSTAND: 250V AC R.M.S. FOR 1 MINUTE
 CONTACT RESISTANCE: 30m OHMS MAX
 INSERTION FORCE: 1.0KG~4.5KG MAX
 WITHDRAWAL FORCE: 0.8KG~3.0KG
 LIFE: 5,000 CYCLES
 OPERATING TEMP: -40° ~ +85°C



TOLERANCE:
±0.2mm



CUI INC

20050 SW 112th Ave.
 Tualatin, OR 97062
 Phone: 503-643-4899
 800-275-4899
 Fax: 503-372-1266
 Website: www.cui.com

TITLE: MINIATURE CIRCULAR DIN CONNECTOR	REV: B
PART NO: MD-80SG	UNITS: MM [INCHES]
DRAWN BY: ZRJ	APPROVED BY:
	SCALE: 3:1

CONTACT TERMINALS (1-8)	MATERIAL	PLATING
Phosphor Bronze <td>Silver <td></td> </td>	Silver <td></td>	
Brass <td>Tin <td></td> </td>	Tin <td></td>	
PBT <td></td> <td></td>		

PC FILE NAME: MD-80SG
 COPYRIGHT 2006 BY CUI INC.