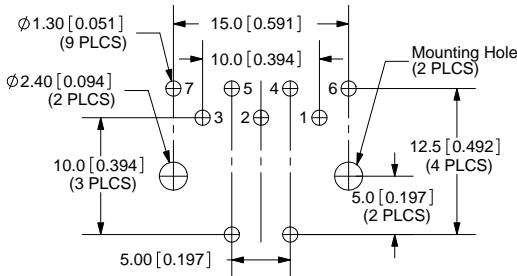
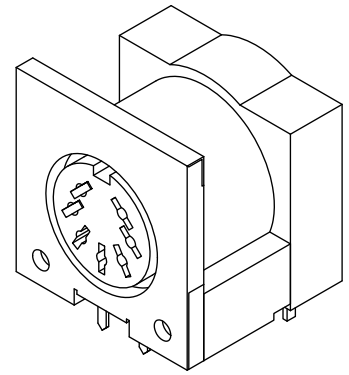
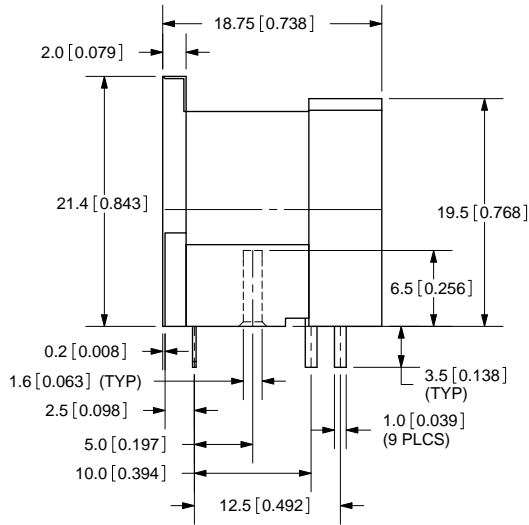
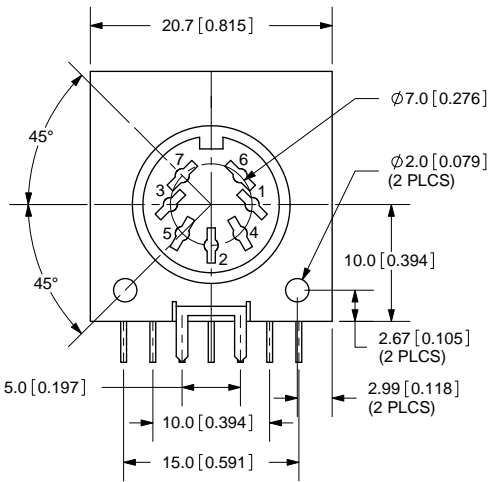


REV.	DESCRIPTION	DATE
A	NEW DRAWING	12/19/2005
B	Added dimensions	4/3/2006
C	Updated material list	5/15/2006



PCB LAYOUT
TOP VIEW

SPECIFICATIONS:
RATING: 24V DC @ 1A; 100V AC @ 2A
CONTACT RESISTANCE: 20m OHMS MAX
INSULATION RESISTANCE: 100M OHMS MIN: 500V DC
VOLTAGE WITHSTAND: 500V AC R.M.S. FOR 1 MINUTE
INSERTION FORCE: 5.0KG MAX
WITHDRAWAL FORCE: 1.0KG~3.5KG
LIFE: 5,000 CYCLES
OPERATING TEMP: -40° ~ +85°C

TOLERANCE:
X.X ±0.2mm
X.XX ±0.1mm
X.XXX ±0.05mm



20050 SW 112th Ave.
Tualatin, OR 97062
Phone: 503-612-2300
800-275-4899
Fax: 503-612-2383
Website: www.cui.com

TITLE: STANDARD CIRCULAR CONN. w/ SHIELD		REV: C
PART NO. SDF-70J	UNITS: MM [INCHES]	
DRAWN BY: ZRJ	APPROVED BY:	SCALE: 2:1

	MATERIAL	PLATING
EARTH TERMINAL	Phosphor Bronze	Nickel
TERMINALS (1-7)	Brass	Tin
HOUSING	PBT	

PC FILE NAME:
SDF-70J

COPYRIGHT 2009 BY CUI INC.