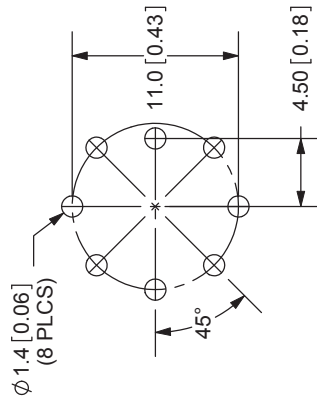
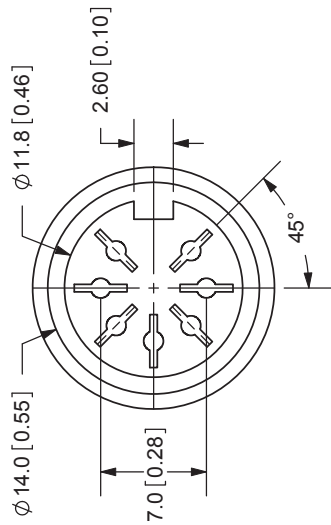
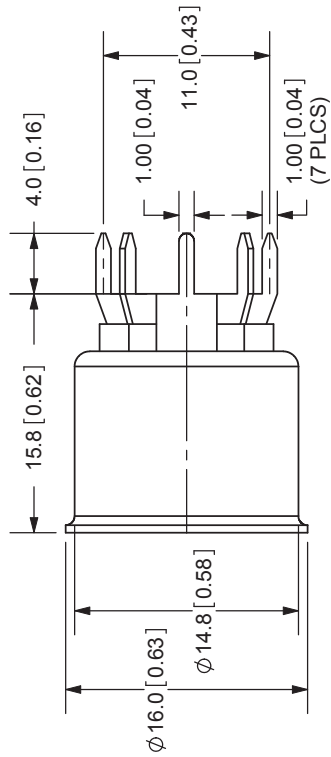
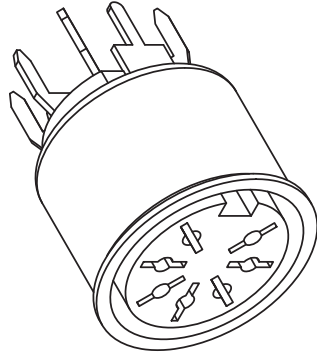


REV.	DESCRIPTION	DATE
A	NEW DRAWING	12/5/2005
B	rating update	8/28/2008



PCB LAYOUT
FRONT VIEW



TOLERANCE:
X: ±0.5
X.X ±0.3mm
X.XX ±0.15mm



SPECIFICATIONS:
 RATING: 24V DC @ 1A PER PIN
 CONTACT RESISTANCE: 50m OHMS MAX
 INSULATION RESISTANCE: 100M OHMS MIN: 500V DC
 VOLTAGE WITHSTAND: 500V AC R.M.S. FOR 1 MINUTE
 LIFE: 5,000 CYCLES
 OPERATING TEMP: -20° ~ +60°C

20050 SW 112th Ave.
 Tualatin, OR 97062
 Phone: 503-612-2300
 800-275-4899
 Fax: 503-612-2383
 Website: www.cui.com

TITLE: DIN RECEPTACLE, VERTICAL, PCB 7P	REV: B
PART NO: SD-70BV	UNITS: MM [INCHES]
DRAWN BY: ZRJ	APPROVED BY:
	SCALE: 2:1

	MATERIAL	PLATING
CONTACTOR	Brass	Silver
SLEEVE	Phosphor Bronze	Silver
COVER	Iron Sheet	Nickel
MOUTH BUSHING	PBT-94V0 G15	