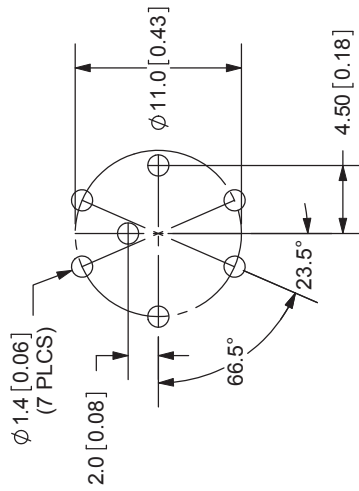
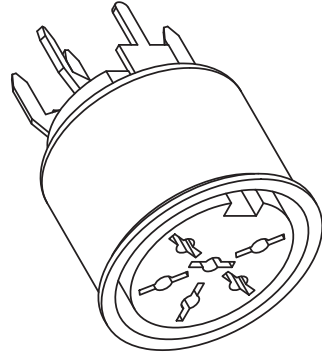
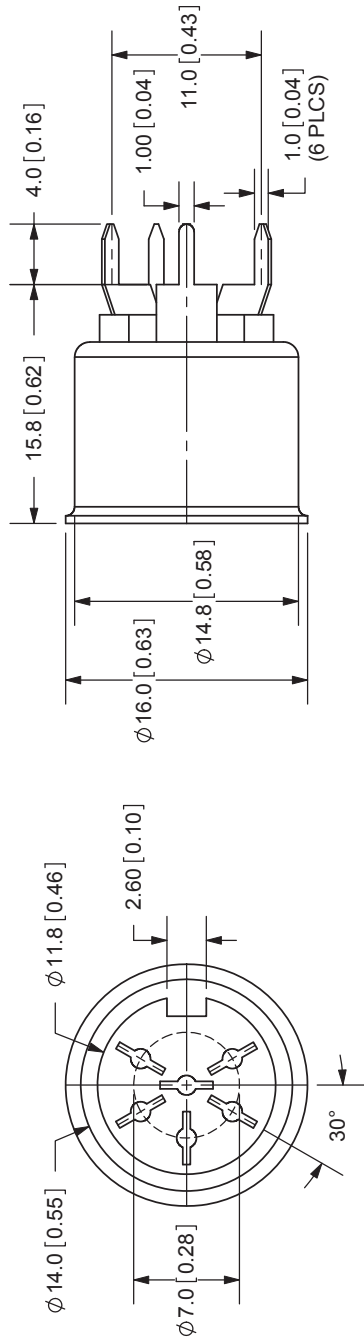


REV.	DESCRIPTION	DATE
A	NEW DRAWING	12/5/2005
B	rating update	8/28/2008



TOLERANCE:  
X: ±0.5  
X.X ±0.3mm  
X.XX ±0.15mm



20050 SW 112th Ave.  
Tualatin, OR 97062  
Phone: 503-612-2300  
800-275-4899  
Fax: 503-612-2383  
Website: www.cui.com

**SPECIFICATIONS:**  
RATING: 24V DC @ 1A PER PIN  
CONTACT RESISTANCE: 50m OHMS MAX  
INSULATION RESISTANCE: 100M OHMS MIN: 500V DC  
VOLTAGE WITHSTAND: 500V AC R.M.S. FOR 1 MINUTE  
LIFE: 5,000 CYCLES  
OPERATING TEMP: -20° ~ +60°C

TITLE: DIN RECEPTACLE, VERTICAL, PCB 6P	REV: B
PART NO: SD-60BV	UNITS: MM [INCHES]
DRAWN BY: ZRJ	APPROVED BY:
MATERIAL: Brass	PLATING: Silver
CONTACTOR: Phosphor Bronze	SLEEVE: Silver
COVER: Iron Sheet	CONTACTOR: Nickel
MOUTH BUSHING: PBT-94V0 G15	

PC FILE NAME: SD-60BV

COPYRIGHT 2008 BY CUI INC.

SCALE: 2:1