

INTRODUCING THE SHIELDED MINI-CON-X[®] CONNECTOR

Features and Benefits

- Complete replacement for MINI-CON-X[®]
- Panels are factory assembled and sealed
- Scoop-proof connector design
- Anti-slip machined nut standard on panel connectors
- Precision machined housings
- Two shell sizes & multiple keying arrangements

Product Specifications

Materials

Panel Shell, Cable Housing & Coupling Nuts:

Nickel plated copper alloy

All Connector Inserts: Engineered Polyester Resin

Contacts: Gold plated copper alloy with nickel underplate

Backshell & Strap: G.F. Nylon

O-Rings: Neoprene

Screws: Stainless Steel

Mechanical

Shock: Method 213, Mil-Std 202

Vibration: Method 201, Mil-Std 202

Life: 400 insertion/withdrawl cycles

Electrical

Voltage Rating: Tested at 600 VRMS

Insulation Resistance: Method 302, Mil-Std 202

Contact Resistance: Method 307, Mil-Std 202

Current Ratings:

13A: 4 maximum #16 contact with 16 AWG

7.5A: 3 maximum #20 contacts with 20 AWG

5.6A: 12 maximum #20 contacts with 20 AWG

Environmental

Temperature Rating: -40°C (-40°F) to +120°C (+248°F)

Temperature Rise: UL 1054

Thermal Shock: Method 107, Mil-Std 202

Moisture/Salt Spray: Method 106F / 101 Mil-Std 202

Product Ratings

IP66 / IP68 (when mated)

RoHS Compliant



Mated Cable End
and Panel Mount



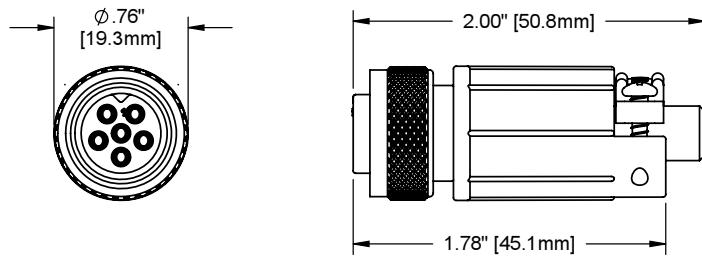
Cable End



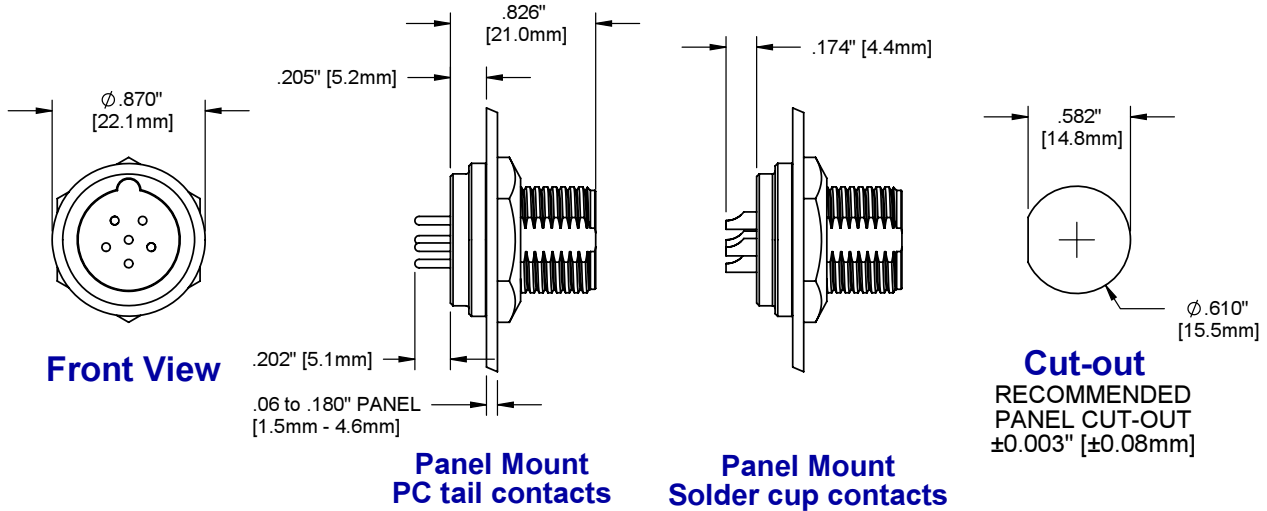
Epoxy Sealed
Panel Mount

Shielded MINI-CON-X® Connector

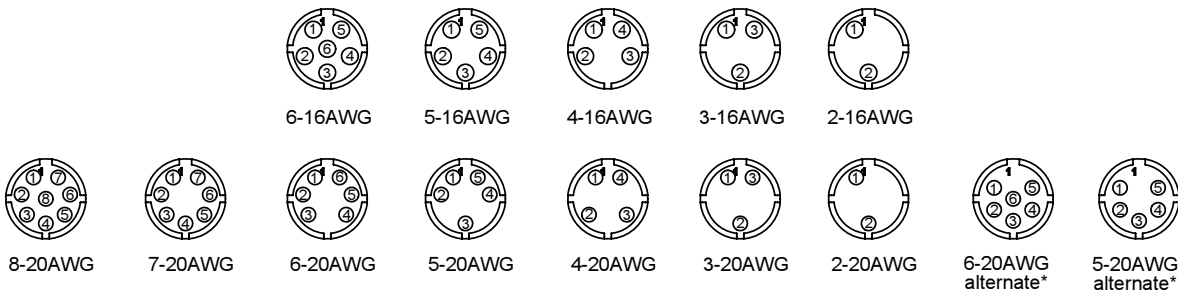
Cable End



Panel Mount



Contact Arrangements (Wiring View of Cable End)



* Consult Factory

Code Logic

