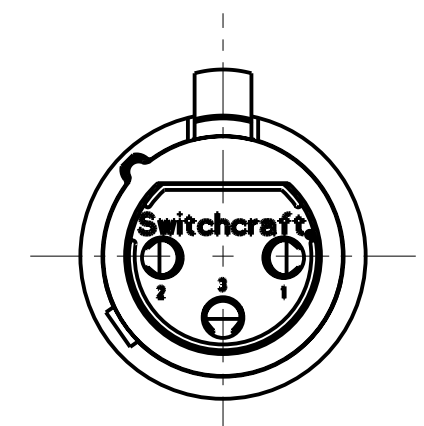
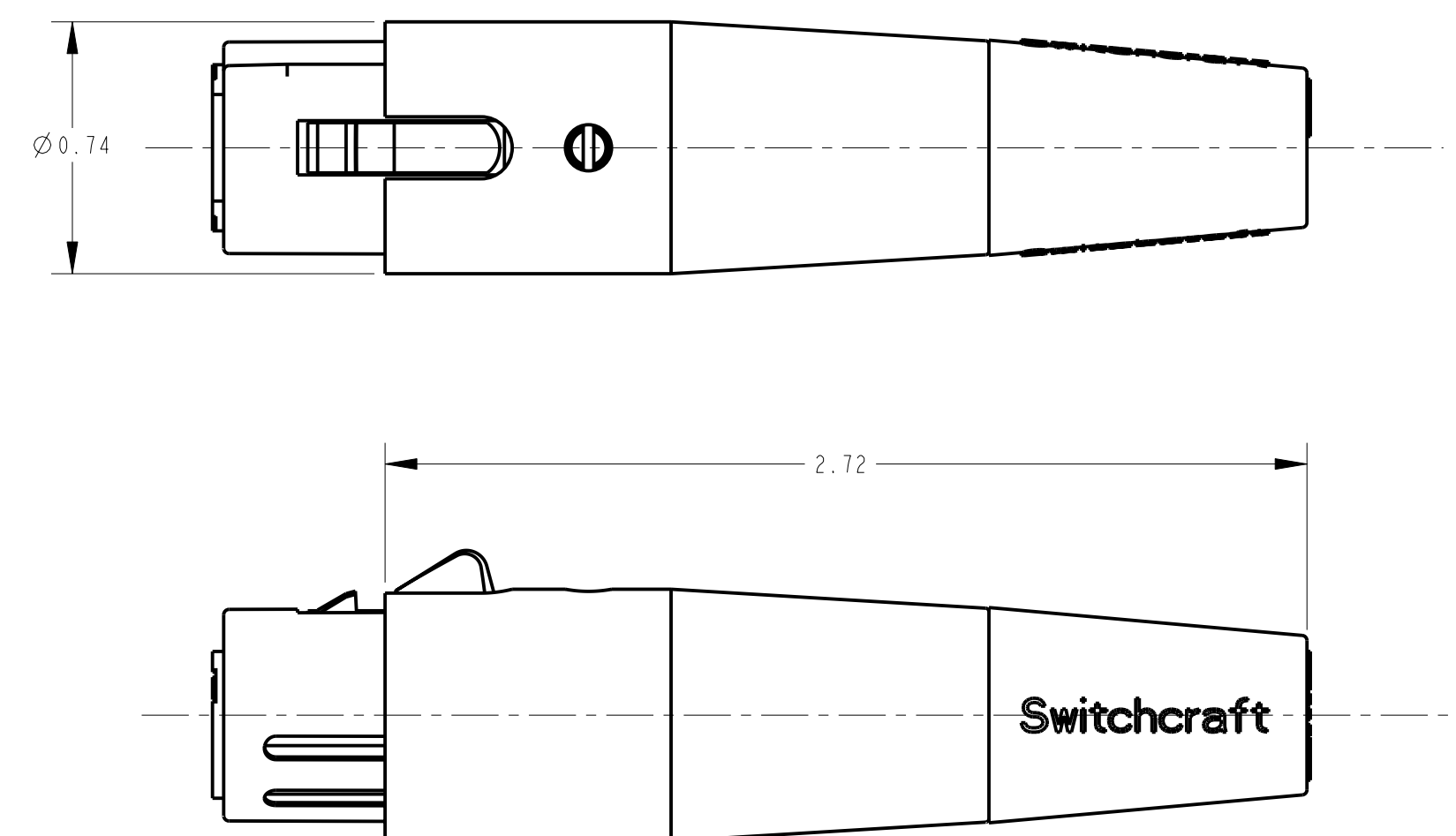


FIGURE 1
3 PIN DETENT VERSION



STANDARD SERIES

INSERT SCREW - STAINLESS STEEL
 SHELL - STAINLESS STEEL
 HOUSING - ZINC, NICKEL PLATED
 LATCH BUTTON - ZINC, NICKEL PLATED
 TUBULAR INSULATOR - MYLAR
 INSULATOR - POLYESTER, GREEN
 CABLE CLAMP - BRASS, ELECTRO TIN PLATED
 STRAIN RELIEF - HI-FAX, BLACK- STANDARD
 LATCH SPRING - STAINLESS STEEL
 CONTACTS - PHOSPHOR BRONZE, SILVER PLATED

AA - F

CONTACT PLATING
 BLANK = SILVER (STANDARD)
 AU = GOLD

HOUSING FINISH SEE NOTE 2
 BLANK = NICKEL PLATE (STANDARD)
 BX = BLACK R6HS

LATCH TYPE
 BLANK = STANDARD LATCHLOCK
 D = FAS-DIS-CONNECT DETENT (SEE FIGURE 1)

FLEX RELIEF SIZE
 BLANK = STANDARD SIZE (0.210 TO 0.300)
 L = LARGE CABLES (0.300 TO 0.328)
 S = SMALL CABLES (0.105 TO 0.205)

NO. OF CONTACTS:
 3 = 3 CONTACTS
 4 = 4 CONTACTS
 5 = 5 CONTACTS
 6 = 6 CONTACTS
 7 = 7 CONTACTS

PROFESSIONAL SERIES

SAME AS ABOVE EXCEPT
 CONTACTS - PHOSPHOR BRONZE, GOLD OVER NICKEL
 HOUSING - NON-REFLECTIVE VEL-TONE FINISH
 FLEX RELIEF - GRAY

AQGP - 22

NO. OF CONTACTS:
 3 = 3 CONTACTS

- NOTES:**
1. ALL DIMENSIONS REF. UNLESS OTHERWISE SPECIFIED.
 2. BLACK HOUSING AND INSERT WITH SATIN NICKEL PLATED LATCH.
 3. THIS PRODUCT IS RoHS COMPLIANT.

REV	ECO NUMBER	DATE	BY	APVD
N	26158	10-4-06	TO	TJK
M	21522	1-31-97	MM	RB
L	20762	12-4-96	MM	RB

★ STAR SYMBOL DENOTES CRITICAL DIMENSION

UNLESS OTHERWISE SPECIFIED

1. ALL DIMENSIONS IN INCHES
 - TWO PLACE DECIMALS ±0.01
 - THREE PLACE DECIMALS ±0.005
 - FRACTIONAL DIMENSIONS ±1/64
 - ANGLES ±1°
 - ALL DIA. CONCENTRIC WITHIN 0.005 T.I.R.

2. FEATURES ON THE SAME CENTERLINE MUST BE ALIGNED WITHIN ±0.002

3. REMOVE ALL BURRS

DO NOT SCALE DRAWING

THIS DRAWING DESCRIBES A DESIGN CONSIDERED PROPRIETARY IN NATURE, DEVELOPED AND MANUFACTURED BY SWITCHCRAFT INC. AND IS RELEASED ON A CONFIDENTIAL BASIS FOR IDENTIFICATION PURPOSES ONLY.

SIZE	WIDTH	MULT	LBS/M	TEMPER
FINISH		MATERIAL SPEC No.		
SPEC No.		SCALE 2:1		
DATE DRAWN	BY	CHKD	APVD	
8-Jul-94	SG	1-19-95	GHJ	1-19-95
NAME				PART No.
AA SERIES FEMALE OQ, RoHS				AA_F SERIES
				REV N

CUSTOMER DRAWING

