

4

3

2

1

THIS DRAWING IS UNPUBLISHED. RELEASED FOR PUBLICATION
 BY TYCO ELECTRONICS CORPORATION. ALL RIGHTS RESERVED.

MATERIAL:
 RECEPTACLE HOUSING, UL 94V-0 RATED THERMOPLASTIC, COLOR:SEE TABLE
 CONTACT, PHOSPHOR BRONZE
 FRONT NUT, UL 94V-0 RATED THERMOPLASTIC, COLOR:SEE TABLE
 HEX NUT, BRASS

FINISH:
 CONTACT, 0.75µm MIN. GOLD OVER NICKEL
 HEX NUT, NICKEL

SOLDER TERMINATION CONTACT, 26 AWG WIRE MAX.

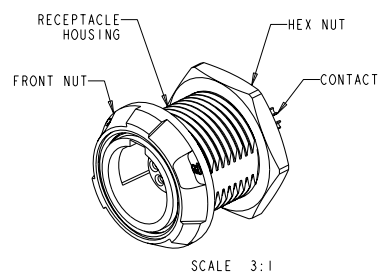
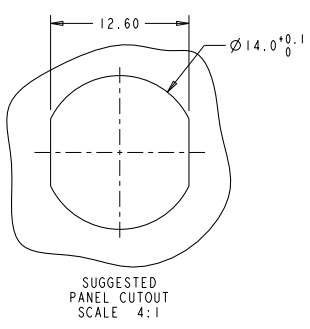
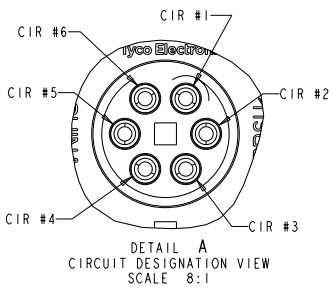
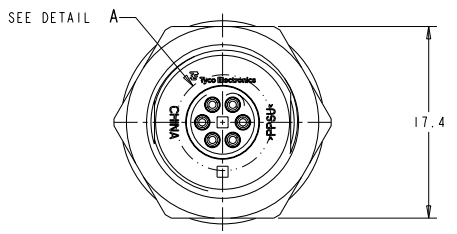
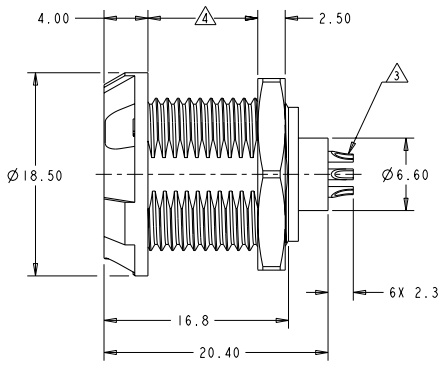
10.0 MAXIMUM PANEL THICKNESS

5. INSTALLS FROM FRONT OR REAR OF PANEL

6. INGRESS PROTECTION: IP50 (MATED)

PRELIMINARY PART NUMBER.

LOC	DISP	REV	DESCRIPTION	DATE	BY	APPV
AD	00					
		C2	REVISED PER ECO-09-008097	06APR2009	MF	DR



DIMENSIONS: mm		TO BE USED IN CONJUNCTION WITH THE RECEPTACLE HOUSING DRAWING FOR THE COMPLETE ASSEMBLY.		DWG R. L. KOLLER 27 JUN 2005	Tyco Electronics Harrisburg, PA 17105-3608
MATERIAL FINISH		TO BE USED IN CONJUNCTION WITH THE RECEPTACLE HOUSING DRAWING FOR THE COMPLETE ASSEMBLY.		CDR L. BREKOSKY 28 JUN 2005	Tyco Electronics Harrisburg, PA 17105-3608
PRODUCT SPEC 108-2249		APPLICATION SPEC 114-13184		SHEET A2	CASE CODE 00779
WEIGHT CUSTOMER DRAWING		DRAWING NO 1877067		SCALE 5:1	RESTRICTED TO SHEET 1 OF 2 REV C2

4

3

2

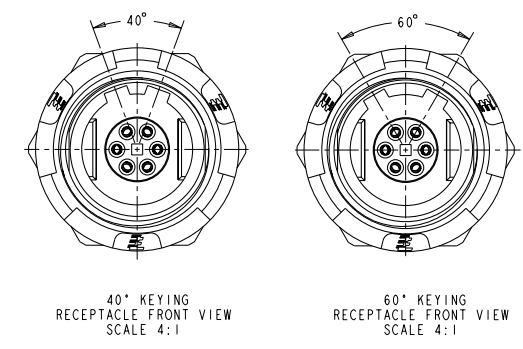
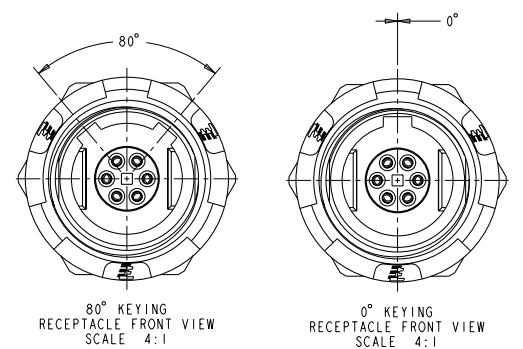
1

THIS DRAWING IS UNPUBLISHED. RELEASED FOR PUBLICATION BY TYCO ELECTRONICS CORPORATION. ALL RIGHTS RESERVED. COPYRIGHT 20

LOC	DISP	REV	DESCRIPTION	DATE	BY	APPV
AD	00		SEE SHEET 1			

KEYING	FRONT NUT COLOR	HOUSING COLOR	PART NUMBER
40°	BLUE	BLACK	4-1877067-2
	BLUE	GRAY	4-1877067-1
40°	GREEN	BLACK	4-1877067-0
	GREEN	GRAY	3-1877067-9
40°	YELLOW	BLACK	3-1877067-8
	YELLOW	GRAY	3-1877067-7
40°	WHITE	BLACK	3-1877067-6
	WHITE	GRAY	3-1877067-5
40°	RED	BLACK	3-1877067-4
	RED	GRAY	3-1877067-3
40°	BLACK	BLACK	3-1877067-2
	BLACK	GRAY	3-1877067-1
40°	GRAY	BLACK	3-1877067-0
	GRAY	GRAY	2-1877067-9
80°	BLACK	BLACK	2-1877067-8
	GRAY	BLACK	2-1877067-7
0°	BLACK	GRAY	2-1877067-6
	GRAY	BLACK	2-1877067-5
80°	BLUE	BLACK	2-1877067-4
	BLUE	GRAY	2-1877067-3
0°	BLUE	BLACK	2-1877067-2
	BLUE	GRAY	2-1877067-1
80°	GREEN	BLACK	2-1877067-0
	GREEN	GRAY	1-1877067-9
0°	GREEN	BLACK	1-1877067-8
	GREEN	GRAY	1-1877067-7
80°	YELLOW	BLACK	1-1877067-6
	YELLOW	GRAY	1-1877067-5
0°	YELLOW	BLACK	1-1877067-4
	YELLOW	GRAY	1-1877067-3
80°	WHITE	BLACK	1-1877067-2
	WHITE	GRAY	1-1877067-1
0°	WHITE	BLACK	1-1877067-0
	WHITE	GRAY	1877067-9
80°	RED	BLACK	1877067-8
	RED	GRAY	1877067-7
0°	RED	BLACK	1877067-6
	RED	GRAY	1877067-5
80°	BLACK	BLACK	1877067-4
	GRAY	BLACK	1877067-3
0°	BLACK	BLACK	1877067-2
	GRAY	BLACK	1877067-1

60°	BLUE	BLACK	5-1877067-6
	BLUE	GRAY	5-1877067-5
60°	GREEN	BLACK	5-1877067-4
	GREEN	GRAY	5-1877067-3
60°	YELLOW	BLACK	5-1877067-2
	YELLOW	GRAY	5-1877067-1
60°	WHITE	BLACK	5-1877067-0
	WHITE	GRAY	4-1877067-9
60°	RED	BLACK	4-1877067-8
	RED	GRAY	4-1877067-7
60°	BLACK	BLACK	4-1877067-6
	BLACK	GRAY	4-1877067-5
60°	GRAY	BLACK	4-1877067-4
	GRAY	GRAY	4-1877067-3



<small>TOP DIMENSIONS ARE CONTROLLING DIMENSIONS FOR THE RECEPTACLE ASSEMBLY. DIMENSIONS IN PARENTHESES ARE FOR THE PANEL MOUNT.</small>		DWG: 21 JUN 2005 R. L. KOLLER CHK: 28 JUN 2005 L. BREKOSKY	Tyco Electronics Harrisburg, PA 17105-3608
DIMENSIONS: mm	TO BE USED ONLY FOR OPERATING SPECIFICATIONS	PRODUCT SPEC 108-2249 APPLICATION SPEC 114-13184	NAME RECEPTACLE ASSEMBLY PANEL MOUNT 6 POSITION
MATERIAL -	FINISH -	WEIGHT -	SHEET CASE CODE DRAWING NO A2 00779 C-1877067
CUSTOMER DRAWING		SCALE 5:1	RESTRICTED TO SHEET 2 OF 2 REV C2

AMP 1471-9 REV 30MAR2000