

4

3

2

1

THIS DRAWING IS UNPUBLISHED. RELEASED FOR PUBLICATION BY TYCO ELECTRONICS CORPORATION. ALL RIGHTS RESERVED. COPYRIGHT 20

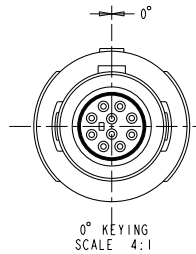
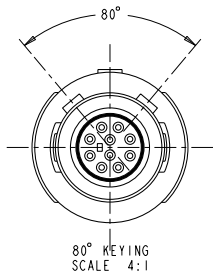
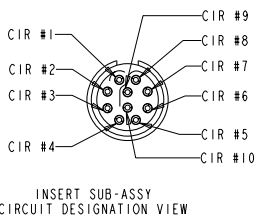
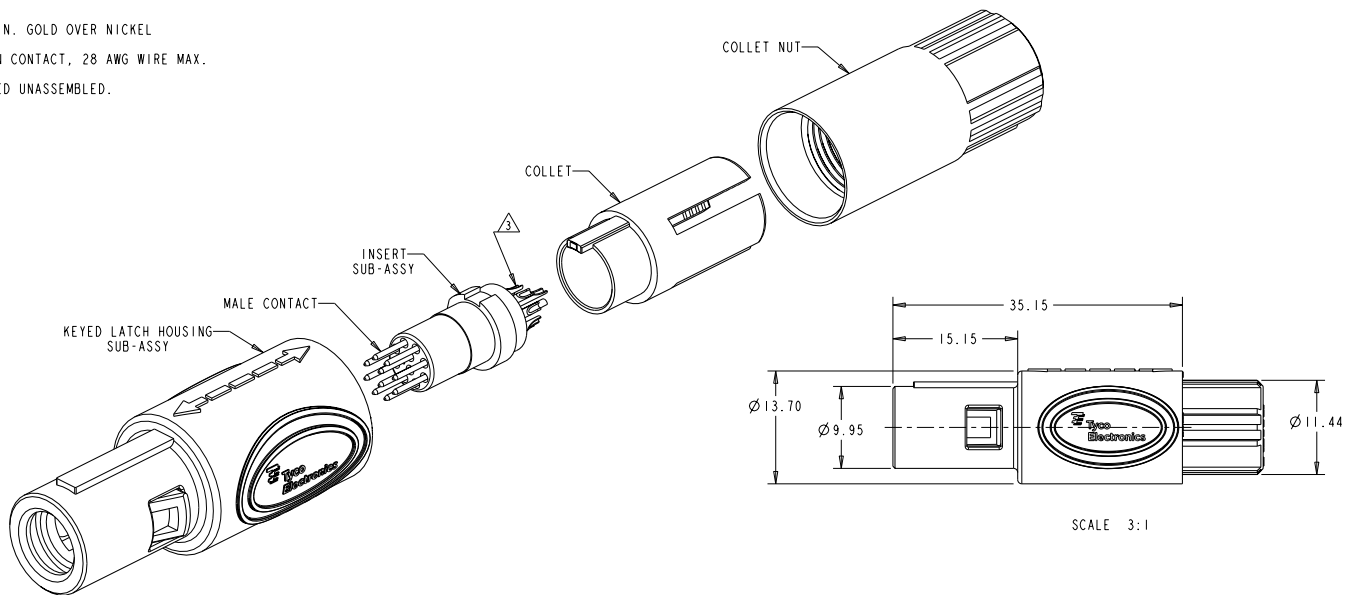
REV	DATE	BY	CHKD	APPROV
A	ECO-07-010931	10M12007	RB	DR
B	ECO-07-018972	15A062007	RB	DR
B1	REVISED PER ECO-08-011256	19M12008	SS	DR
B2	REVISED PER ECO-09-008097	04M12009	MF	DR

⚠ MATERIAL:
 CONTACT: BRASS
 LATCH HOUSING, INSERT, COLLET, COLLET NUT:
 UL 94V-0 RATED THERMOPLASTIC
 COLOR:
 COLLET AND INSERT: GRAY
 LATCH HOUSING AND NUT: SEE TABLE

⚠ FINISH:
 CONTACT, 0.75µm MIN. GOLD OVER NICKEL

⚠ SOLDER TERMINATION CONTACT, 28 AWG WIRE MAX.

4. PRODUCT IS SUPPLIED UNASSEMBLED.



SEE SHEET 2 FOR
 PART NUMBER SELECTION
 PART NO.

DIMENSIONS: mm 0 PLC ±0.13 1 PLC ±0.08 2 PLC ±0.08 3 PLC ±0.08 4 PLC ±0.08 ANGLES ±1° FINISH -		TO BE CHECKED BY THE CUSTOMER FOR THE FOLLOWING DIMENSIONS: DIMENSIONS IN PARENTHESES ARE FOR THE COLLET NUT.	DWG NO. 09MAR2006 DESIGNED BY MILLER CHKD BY BREKOSKY DATE 09MAR2006	Tyco Electronics Harrisburg, PA 17105-3608
PRODUCT SPEC 108-2249 APPLICATION SPEC 114-13184		NAME 10 POSITION, CABLE COLLET STRAIGHT PLUG ASSEMBLY 0 AND 80 DEGREE KEYING SHEET CASE CODE 1877848 DRAWING NO. 100779 ©=1877848		
MATERIAL - FINISH -		WEIGHT - CUSTOMER DRAWING SCALE 4:1 SHEET 1 OF 3 REV B2		

4

3

2

1

THIS DRAWING IS UNPUBLISHED. RELEASED FOR PUBLICATION
 BY TYCO ELECTRONICS CORPORATION. ALL RIGHTS RESERVED.

LOC AD DIST 00

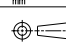
REVISIONS				
P	LYR	DESCRIPTION	DATE	BY
-	-	SEE SHEET 1	-	-

Ø 2.7-Ø 3.9	BLUE	GRAY	80°	7-1877848-2
Ø 4.0-Ø 5.2	BLUE	GRAY	80°	7-1877848-1
Ø 5.3-Ø 6.5	BLUE	GRAY	80°	7-1877848-0
Ø 2.7-Ø 3.9	BLUE	GRAY	0°	6-1877848-9
Ø 4.0-Ø 5.2	BLUE	GRAY	0°	6-1877848-8
Ø 5.3-Ø 6.5	BLUE	GRAY	0°	6-1877848-7
Ø 2.7-Ø 3.9	BLUE	BLACK	80°	6-1877848-6
Ø 4.0-Ø 5.2	BLUE	BLACK	80°	6-1877848-5
Ø 5.3-Ø 6.5	BLUE	BLACK	80°	6-1877848-4
Ø 2.7-Ø 3.9	BLUE	BLACK	0°	6-1877848-3
Ø 4.0-Ø 5.2	BLUE	BLACK	0°	6-1877848-2
Ø 5.3-Ø 6.5	BLUE	BLACK	0°	6-1877848-1
Ø 2.7-Ø 3.9	GREEN	GRAY	80°	6-1877848-0
Ø 4.0-Ø 5.2	GREEN	GRAY	80°	5-1877848-9
Ø 5.3-Ø 6.5	GREEN	GRAY	80°	5-1877848-8
Ø 2.7-Ø 3.9	GREEN	GRAY	0°	5-1877848-7
Ø 4.0-Ø 5.2	GREEN	GRAY	0°	5-1877848-6
Ø 5.3-Ø 6.5	GREEN	GRAY	0°	5-1877848-5
Ø 2.7-Ø 3.9	GREEN	BLACK	80°	5-1877848-4
Ø 4.0-Ø 5.2	GREEN	BLACK	80°	5-1877848-3
Ø 5.3-Ø 6.5	GREEN	BLACK	80°	5-1877848-2
Ø 2.7-Ø 3.9	GREEN	BLACK	0°	5-1877848-1
Ø 4.0-Ø 5.2	GREEN	BLACK	0°	5-1877848-0
Ø 5.3-Ø 6.5	GREEN	BLACK	0°	4-1877848-9
Ø 2.7-Ø 3.9	YELLOW	GRAY	80°	4-1877848-8
Ø 4.0-Ø 5.2	YELLOW	GRAY	80°	4-1877848-7
Ø 5.3-Ø 6.5	YELLOW	GRAY	80°	4-1877848-6
Ø 2.7-Ø 3.9	YELLOW	GRAY	0°	4-1877848-5
Ø 4.0-Ø 5.2	YELLOW	GRAY	0°	4-1877848-4
Ø 5.3-Ø 6.5	YELLOW	GRAY	0°	4-1877848-3
Ø 2.7-Ø 3.9	YELLOW	BLACK	80°	4-1877848-2
Ø 4.0-Ø 5.2	YELLOW	BLACK	80°	4-1877848-1
Ø 5.3-Ø 6.5	YELLOW	BLACK	80°	4-1877848-0
Ø 2.7-Ø 3.9	YELLOW	BLACK	0°	3-1877848-9
Ø 4.0-Ø 5.2	YELLOW	BLACK	0°	3-1877848-8
Ø 5.3-Ø 6.5	YELLOW	BLACK	0°	3-1877848-7
CABLE RANGE	COLLET NUT COLOR	LATCH HOUSING COLOR	KEYING	PART NO.

PART NUMBERS 37 THRU 72

Ø 2.7-Ø 3.9	WHITE	GRAY	80°	3-1877848-6
Ø 4.0-Ø 5.2	WHITE	GRAY	80°	3-1877848-5
Ø 5.3-Ø 6.5	WHITE	GRAY	80°	3-1877848-4
Ø 2.7-Ø 3.9	WHITE	GRAY	0°	3-1877848-3
Ø 4.0-Ø 5.2	WHITE	GRAY	0°	3-1877848-2
Ø 5.3-Ø 6.5	WHITE	GRAY	0°	3-1877848-1
Ø 2.7-Ø 3.9	WHITE	BLACK	80°	3-1877848-0
Ø 4.0-Ø 5.2	WHITE	BLACK	80°	2-1877848-9
Ø 5.3-Ø 6.5	WHITE	BLACK	80°	2-1877848-8
Ø 2.7-Ø 3.9	WHITE	BLACK	0°	2-1877848-7
Ø 4.0-Ø 5.2	WHITE	BLACK	0°	2-1877848-6
Ø 5.3-Ø 6.5	WHITE	BLACK	0°	2-1877848-5
Ø 2.7-Ø 3.9	RED	GRAY	80°	2-1877848-4
Ø 4.0-Ø 5.2	RED	GRAY	80°	2-1877848-3
Ø 5.3-Ø 6.5	RED	GRAY	80°	2-1877848-2
Ø 2.7-Ø 3.9	RED	GRAY	0°	2-1877848-1
Ø 4.0-Ø 5.2	RED	GRAY	0°	2-1877848-0
Ø 5.3-Ø 6.5	RED	GRAY	0°	1-1877848-9
Ø 2.7-Ø 3.9	RED	BLACK	80°	1-1877848-8
Ø 4.0-Ø 5.2	RED	BLACK	80°	1-1877848-7
Ø 5.3-Ø 6.5	RED	BLACK	80°	1-1877848-6
Ø 2.7-Ø 3.9	RED	BLACK	0°	1-1877848-5
Ø 4.0-Ø 5.2	RED	BLACK	0°	1-1877848-4
Ø 5.3-Ø 6.5	RED	BLACK	0°	1-1877848-3
Ø 2.7-Ø 3.9	GRAY	GRAY	80°	1-1877848-2
Ø 4.0-Ø 5.2	GRAY	GRAY	80°	1-1877848-1
Ø 5.3-Ø 6.5	GRAY	GRAY	80°	1-1877848-0
Ø 2.7-Ø 3.9	GRAY	GRAY	0°	1877848-9
Ø 4.0-Ø 5.2	GRAY	GRAY	0°	1877848-8
Ø 5.3-Ø 6.5	GRAY	GRAY	0°	1877848-7
Ø 2.7-Ø 3.9	BLACK	BLACK	80°	1877848-6
Ø 4.0-Ø 5.2	BLACK	BLACK	80°	1877848-5
Ø 5.3-Ø 6.5	BLACK	BLACK	80°	1877848-4
Ø 2.7-Ø 3.9	BLACK	BLACK	0°	1877848-3
Ø 4.0-Ø 5.2	BLACK	BLACK	0°	1877848-2
Ø 5.3-Ø 6.5	BLACK	BLACK	0°	1877848-1
CABLE RANGE	COLLET NUT COLOR	LATCH HOUSING COLOR	KEYING	PART NO.

PART NUMBERS 1 THRU 36

DIMENSIONS: mm 		TO DRAWING'S DIMENSIONS OPERATED SPECIFICS	DWG M. MILLER 09MAR2006 CHK L. BREKOSKY 09MAR2006	Tyco Electronics Harrisburg, PA 17105-3608
MATERIAL -		PRODUCT SPEC 108-2249 APPLICATION SPEC 114-13184	NAME 10 POSITION, CABLE COLLET STRAIGHT PLUG ASSEMBLY 0 AND 80 DEGREE KEYING	SHEET CASE CODE DRAWING NO A2 00779 C=1877848
CUSTOMER DRAWING		WEIGHT -	RESTRICTED TO -	SCALE 4:1 SHEET 2 OF 3 REV B2

4

3

2

1

THIS DRAWING IS UNPUBLISHED. RELEASED FOR PUBLICATION
 BY TYCO ELECTRONICS CORPORATION. ALL RIGHTS RESERVED.

LOC	DIST	REVISIONS					
		P	LYR	DESCRIPTION	DATE	BY	APPR
AD	00	-	-	SEE SHEET 1	-	-	-

Ø 2.7-Ø 3.9	BLACK	GRAY	80°	8-1877848-4
Ø 4.0-Ø 5.2	BLACK	GRAY	80°	8-1877848-3
Ø 5.3-Ø 6.5	BLACK	GRAY	80°	8-1877848-2
Ø 2.7-Ø 3.9	BLACK	GRAY	0°	8-1877848-1
Ø 4.0-Ø 5.2	BLACK	GRAY	0°	8-1877848-0
Ø 5.3-Ø 6.5	BLACK	GRAY	0°	7-1877848-9
Ø 2.7-Ø 3.9	GRAY	BLACK	80°	7-1877848-8
Ø 4.0-Ø 5.2	GRAY	BLACK	80°	7-1877848-7
Ø 5.3-Ø 6.5	GRAY	BLACK	80°	7-1877848-6
Ø 2.7-Ø 3.9	GRAY	BLACK	0°	7-1877848-5
Ø 4.0-Ø 5.2	GRAY	BLACK	0°	7-1877848-4
Ø 5.3-Ø 6.5	GRAY	BLACK	0°	7-1877848-3
CABLE RANGE	COLLET NUT COLOR	LATCH HOUSING COLOR	KEYING	PART NO.
PART NUMBERS 73 THRU 84				

<small>THIS DRAWING IS UNPUBLISHED. RELEASED FOR PUBLICATION BY TYCO ELECTRONICS CORPORATION. ALL RIGHTS RESERVED.</small>		DWG NO. 09MAR2006 DESIGNED BY MILLER CHKD BY BREKOSKY DATE 09MAR2006	Tyco Electronics Harrisburg, PA 17105-3608
DIMENSIONS: mm 	TO DRAWING SPECIFICATIONS 0 PLC ±.13 1 PLC ±.10 2 PLC ±.08 3 PLC ±.06 4 PLC ±.05 ANGLES ±.1° FINISH -	PRODUCT SPEC 108-2249 APPLICATION SPEC 114-13184 WEIGHT - CUSTOMER DRAWING	NAME 10 POSITION, CABLE COLLET STRAIGHT PLUG ASSEMBLY 0 AND 80 DEGREE KEYING STATE CASE CODE DRAWING NO. A2100779 SCALE 4:1 SHEET 3 OF 3 REV B2