

4

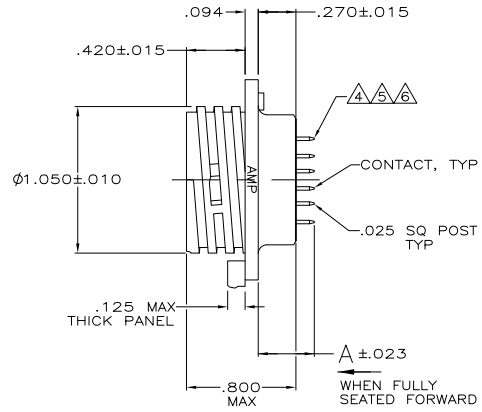
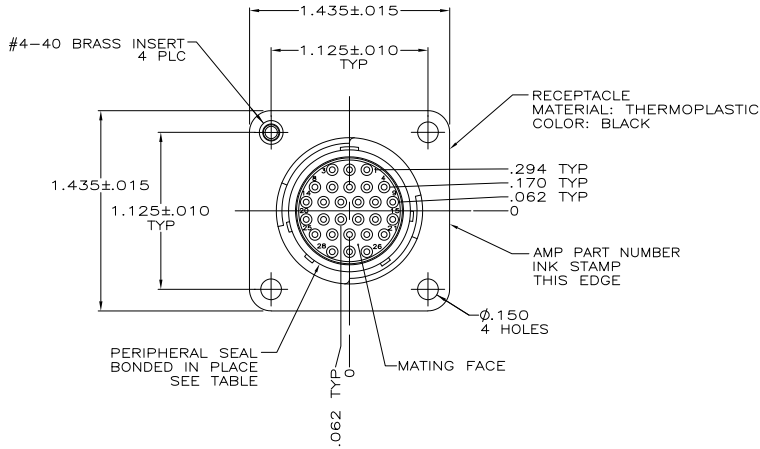
3

2

1

THIS DRAWING IS UNPUBLISHED. RELEASED FOR PUBLICATION
 © COPYRIGHT - By - ALL RIGHTS RESERVED.

LOC		REVISIONS					
FT	DIST	P	LTR	DESCRIPTION	DATE	BY	APPD
	0	AD3		REVISED PER ECO-11-004917	11MAR11	RK	HMR



1. CONTACT CAVITIES IDENTIFIED BY CHARACTERS ON FRONT AND REAR FACE OF CONNECTOR.

△ GOLD FLASH FOR A LENGTH OF .100 MIN FROM MATING END, .000100 MIN TIN-LEAD FOR A LENGTH OF DIMENSION 'A' FROM OPPOSITE END, ALL OVER .000050 MIN NICKEL.

△ .000030 MIN GOLD FOR A LENGTH OF .100 MIN FROM MATING END, .000100 MIN TIN-LEAD FOR A LENGTH OF DIMENSION 'A' FROM OPPOSITE END, ALL OVER .000050 MIN NICKEL.

△ CONTACTS TO BE SELECTIVELY LOADED INTO POSITIONS 1, 3, 4, 8, 14, 15, 21, 25, 26, 27 AND 28; FOR -1 ONLY.

△ CONNECTOR TO BE FULLY LOADED FOR -2, -3, -6, AND -8.

△ CONTACTS TO BE SELECTIVELY LOADED INTO POSITIONS 1 THRU 27; FOR -9 ONLY.

△ .000030 MIN GOLD FOR A LENGTH OF .100 MIN FROM MATING END, .000100 MIN TIN FOR A LENGTH OF DIMENSION 'A' FROM OPPOSITE END, ALL OVER .000050 MIN NICKEL.

△ GOLD FLASH FOR A LENGTH OF .100 MIN FROM MATING END, .000100 MIN TIN-LEAD FOR A LENGTH OF DIMENSION 'A' FROM OPPOSITE END, ALL OVER .000050 MIN NICKEL.

△ OBSOLETE PARTS: OBSOLETE CIS STREAMLINING PER D.RENAUD/D.SINISI

	NO	YES	△		
△ OBSOLETE	NO	YES	△	.851	2-207216-1
	NO	YES	△	.402	2-207216-0
	NO	YES	△	.402	1-207216-9
	YES	NO	△	.851	1-207216-8
	NO	NO	△	.629	1-207216-7
	NO	NO	△	.402	1-207216-6
△ OBSOLETE	NO	NO	△	.629	1-207216-4
PRELIMINARY	NO	YES	△	.629	1-207216-3
PRELIMINARY	NO	YES	△	.851	1-207216-2
△ OBSOLETE	NO	YES	△	.402	1-207216-1
	NO	YES	△	.402	1-207216-0
	YES	NO	△	.851	207216-9
	NO	NO	△	.629	207216-8
△ OBSOLETE	NO	YES	△	.629	207216-6
△ OBSOLETE	NO	YES	△	.402	207216-3
	NO	NO	△	.402	207216-2
△ OBSOLETE	NO	NO	△	.402	207216-1
	SEAL	THREADED INSERT	CONTACT FINISH	A	PART NUMBER

THIS DRAWING IS A CONTROLLED DOCUMENT.		DN J. GALLUCCI BG 2-22-91	TE Connectivity	
DIMENSIONS: INCHES		CHK W.G. LENKER 4-14-92	RECEPTACLE ASSEMBLY, POSTED, RVS SEX, 17-28, SERIES 2, CPC	
MATERIAL: SEE CALLOUT		APPD K. BEAVER 4-14-92	RESTRICTED TO: -	
FINISH: SEE TABLE		PRODUCT SPEC: 108-10024	SCALE: A2 00779 C-207216	
		APPLICATION SPEC: -	SHEET 1 of 1	
		WEIGHT: -	CUSTOMER DRAWING	
		REVISIONS: -	SCALE: 2:1	

1471-9 (3/11)

207216

A

AD3