

4

3

2

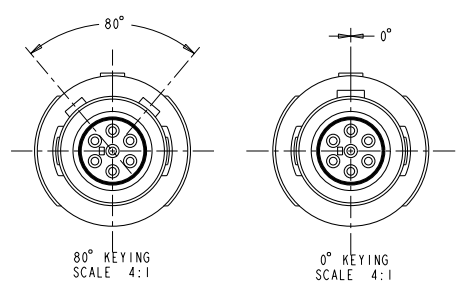
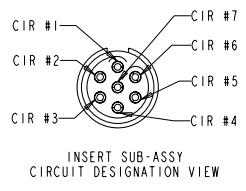
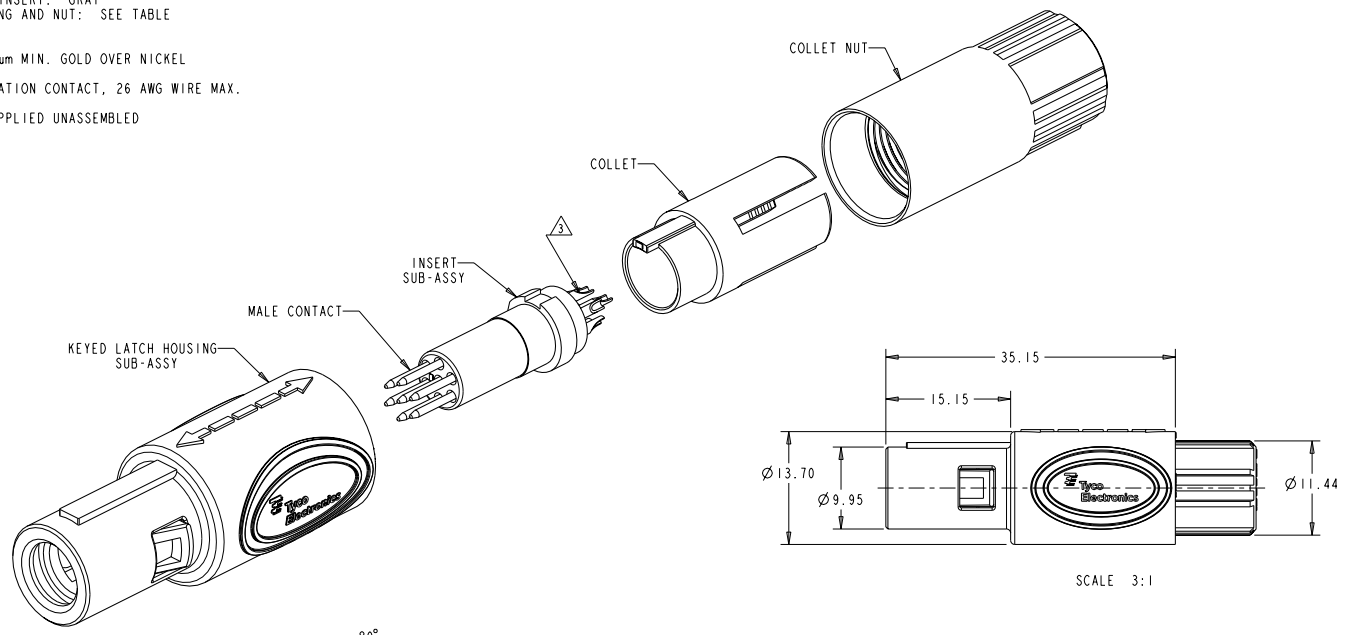
1

THIS DRAWING IS UNPUBLISHED. RELEASED FOR PUBLICATION BY TYCO ELECTRONICS CORPORATION. ALL RIGHTS RESERVED. COPYRIGHT 20

LOC AD DIST 00

REVISONS		DATE	BY	APPROV
A	ECO-07-010931	10M12007	RB	DR
B	ECO-07-018972	15A062007	RB	DR
B1	REVISED PER ECO-08-011256	09M12008	SS	DR
B2	REVISED PER ECO-09-008097	04M12009	MF	DR

- ⚠ MATERIAL:
CONTACT: BRASS
LATCH HOUSING, INSERT, COLLET, COLLET NUT:
UL 94V-0 RATED THERMOPLASTIC
COLOR:
COLLET AND INSERT: GRAY
LATCH HOUSING AND NUT: SEE TABLE
- ⚠ FINISH:
CONTACT, 0.75µm MIN. GOLD OVER NICKEL
- ⚠ SOLDER TERMINATION CONTACT, 26 AWG WIRE MAX.
- 4. PRODUCT IS SUPPLIED UNASSEMBLED



SEE SHEET 2 FOR PART NUMBER SELECTION
PART NO.

<small>THE DIMENSIONS CONTAINED HEREIN ARE THE PROPERTY OF TYCO ELECTRONICS CORPORATION AND ARE NOT TO BE REPRODUCED OR TRANSMITTED IN ANY FORM OR BY ANY MEANS, ELECTRONIC OR MECHANICAL, INCLUDING PHOTOCOPYING, RECORDING, OR BY ANY INFORMATION STORAGE AND RETRIEVAL SYSTEM.</small>		DWG NO. 09MAR2006 DESIGNED BY: MILLER DATE: 09MAR2006 CHECKED BY: BREKOSKY	Tyco Electronics Harrisburg, PA 17105-3608
DIMENSIONS: mm TOLERANCES UNLESS OTHERWISE SPECIFIED: 0 PLC ±0.13 1 PLC ±0.08 2 PLC ±0.08 3 PLC ±0.08 4 PLC ±0.08 5 PLC ±0.08 6 PLC ±0.08 7 PLC ±0.08 ANGLES: ±1°	PRODUCT SPEC: 108-2249 APPLICATION SPEC: 114-13184 WEIGHT: - FINISH: -	NAME: 7 POSITION, CABLE COLLET STRAIGHT PLUG ASSEMBLY 0 AND 80 DEGREE KEYING SHEET: A2 CASE CODE: 00779 DRAWING NO: 1877847 RESTRICTED TO: -	CUSTOMER DRAWING SCALE: 4:1 SHEET: 1 OF 3 REV: B2

4

3

2

1

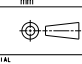
THIS DRAWING IS UNPUBLISHED. RELEASED FOR PUBLICATION
 BY TYCO ELECTRONICS CORPORATION. ALL RIGHTS RESERVED.

LOC DIST
 AD 00

REVISIONS				
P	LYR	DESCRIPTION	DATE	BYN
-	-	SEE SHEET 1	-	-

Ø 2.7-Ø 3.9	BLUE	GRAY	80°	7-1877847-2
Ø 4.0-Ø 5.2	BLUE	GRAY	80°	7-1877847-1
Ø 5.3-Ø 6.5	BLUE	GRAY	80°	7-1877847-0
Ø 2.7-Ø 3.9	BLUE	GRAY	0°	6-1877847-9
Ø 4.0-Ø 5.2	BLUE	GRAY	0°	6-1877847-8
Ø 5.3-Ø 6.5	BLUE	GRAY	0°	6-1877847-7
Ø 2.7-Ø 3.9	BLUE	BLACK	80°	6-1877847-6
Ø 4.0-Ø 5.2	BLUE	BLACK	80°	6-1877847-5
Ø 5.3-Ø 6.5	BLUE	BLACK	80°	6-1877847-4
Ø 2.7-Ø 3.9	BLUE	BLACK	0°	6-1877847-3
Ø 4.0-Ø 5.2	BLUE	BLACK	0°	6-1877847-2
Ø 5.3-Ø 6.5	BLUE	BLACK	0°	6-1877847-1
Ø 2.7-Ø 3.9	GREEN	GRAY	80°	6-1877847-0
Ø 4.0-Ø 5.2	GREEN	GRAY	80°	5-1877847-9
Ø 5.3-Ø 6.5	GREEN	GRAY	80°	5-1877847-8
Ø 2.7-Ø 3.9	GREEN	GRAY	0°	5-1877847-7
Ø 4.0-Ø 5.2	GREEN	GRAY	0°	5-1877847-6
Ø 5.3-Ø 6.5	GREEN	GRAY	0°	5-1877847-5
Ø 2.7-Ø 3.9	GREEN	BLACK	80°	5-1877847-4
Ø 4.0-Ø 5.2	GREEN	BLACK	80°	5-1877847-3
Ø 5.3-Ø 6.5	GREEN	BLACK	80°	5-1877847-2
Ø 2.7-Ø 3.9	GREEN	BLACK	0°	5-1877847-1
Ø 4.0-Ø 5.2	GREEN	BLACK	0°	5-1877847-0
Ø 5.3-Ø 6.5	GREEN	BLACK	0°	4-1877847-9
Ø 2.7-Ø 3.9	YELLOW	GRAY	80°	4-1877847-8
Ø 4.0-Ø 5.2	YELLOW	GRAY	80°	4-1877847-7
Ø 5.3-Ø 6.5	YELLOW	GRAY	80°	4-1877847-6
Ø 2.7-Ø 3.9	YELLOW	GRAY	0°	4-1877847-5
Ø 4.0-Ø 5.2	YELLOW	GRAY	0°	4-1877847-4
Ø 5.3-Ø 6.5	YELLOW	GRAY	0°	4-1877847-3
Ø 2.7-Ø 3.9	YELLOW	BLACK	80°	4-1877847-2
Ø 4.0-Ø 5.2	YELLOW	BLACK	80°	4-1877847-1
Ø 5.3-Ø 6.5	YELLOW	BLACK	80°	4-1877847-0
Ø 2.7-Ø 3.9	YELLOW	BLACK	0°	3-1877847-9
Ø 4.0-Ø 5.2	YELLOW	BLACK	0°	3-1877847-8
Ø 5.3-Ø 6.5	YELLOW	BLACK	0°	3-1877847-7
CABLE RANGE	COLLET NUT COLOR	LATCH HOUSING COLOR	KEYING	PART NO.
PART NUMBERS 37 THRU 72				

Ø 2.7-Ø 3.9	WHITE	GRAY	80°	3-1877847-6
Ø 4.0-Ø 5.2	WHITE	GRAY	80°	3-1877847-5
Ø 5.3-Ø 6.5	WHITE	GRAY	80°	3-1877847-4
Ø 2.7-Ø 3.9	WHITE	GRAY	0°	3-1877847-3
Ø 4.0-Ø 5.2	WHITE	GRAY	0°	3-1877847-2
Ø 5.3-Ø 6.5	WHITE	GRAY	0°	3-1877847-1
Ø 2.7-Ø 3.9	WHITE	BLACK	80°	3-1877847-0
Ø 4.0-Ø 5.2	WHITE	BLACK	80°	2-1877847-9
Ø 5.3-Ø 6.5	WHITE	BLACK	80°	2-1877847-8
Ø 2.7-Ø 3.9	WHITE	BLACK	0°	2-1877847-7
Ø 4.0-Ø 5.2	WHITE	BLACK	0°	2-1877847-6
Ø 5.3-Ø 6.5	WHITE	BLACK	0°	2-1877847-5
Ø 2.7-Ø 3.9	RED	GRAY	80°	2-1877847-4
Ø 4.0-Ø 5.2	RED	GRAY	80°	2-1877847-3
Ø 5.3-Ø 6.5	RED	GRAY	80°	2-1877847-2
Ø 2.7-Ø 3.9	RED	GRAY	0°	2-1877847-1
Ø 4.0-Ø 5.2	RED	GRAY	0°	2-1877847-0
Ø 5.3-Ø 6.5	RED	GRAY	0°	1-1877847-9
Ø 2.7-Ø 3.9	RED	BLACK	80°	1-1877847-8
Ø 4.0-Ø 5.2	RED	BLACK	80°	1-1877847-7
Ø 5.3-Ø 6.5	RED	BLACK	80°	1-1877847-6
Ø 2.7-Ø 3.9	RED	BLACK	0°	1-1877847-5
Ø 4.0-Ø 5.2	RED	BLACK	0°	1-1877847-4
Ø 5.3-Ø 6.5	RED	BLACK	0°	1-1877847-3
Ø 2.7-Ø 3.9	GRAY	GRAY	80°	1-1877847-2
Ø 4.0-Ø 5.2	GRAY	GRAY	80°	1-1877847-1
Ø 5.3-Ø 6.5	GRAY	GRAY	80°	1-1877847-0
Ø 2.7-Ø 3.9	GRAY	GRAY	0°	1877847-9
Ø 4.0-Ø 5.2	GRAY	GRAY	0°	1877847-8
Ø 5.3-Ø 6.5	GRAY	GRAY	0°	1877847-7
Ø 2.7-Ø 3.9	BLACK	BLACK	80°	1877847-6
Ø 4.0-Ø 5.2	BLACK	BLACK	80°	1877847-5
Ø 5.3-Ø 6.5	BLACK	BLACK	80°	1877847-4
Ø 2.7-Ø 3.9	BLACK	BLACK	0°	1877847-3
Ø 4.0-Ø 5.2	BLACK	BLACK	0°	1877847-2
Ø 5.3-Ø 6.5	BLACK	BLACK	0°	1877847-1
CABLE RANGE	COLLET NUT COLOR	LATCH HOUSING COLOR	KEYING	PART NO.
PART NUMBERS 1 THRU 36				

DIMENSIONS: mm 		TO DRAWING ONLY OPERATING SPECIFICATIONS 0 PLC #0 1 PLC #0-13 2 PLC #0-08 3 PLC #0-08 4 PLC #0-08 ANGLES #1°	DATE: 09MAR2006 BY: M. MILLER CHK: L. BREKOSKY TITLE: 7 POSITION, CABLE COLLET STRAIGHT PLUG ASSEMBLY 0 AND 80 DEGREE KEYING PRODUCT SPEC: 108-2249 APPLICATION SPEC: 114-13184 WEIGHT: - CUSTOMER DRAWING	SHEET: A2 CASE CODE: 00779 DRAWING NO: 1877847 SCALE: 4:1 SHEET 2 OF 3 REV B2
---	--	--	---	--

4

3


2

1

THIS DRAWING IS UNPUBLISHED. RELEASED FOR PUBLICATION
 BY TYCO ELECTRONICS CORPORATION. ALL RIGHTS RESERVED.

LOC	QTY	REV	DESCRIPTION	DATE	BY	APPV
AD	00		SEE SHEET 1	-	-	-

Ø 2.7-Ø 3.9	BLACK	GRAY	80°	8-1877847-4
Ø 4.0-Ø 5.2	BLACK	GRAY	80°	8-1877847-3
Ø 5.3-Ø 6.5	BLACK	GRAY	80°	8-1877847-2
Ø 2.7-Ø 3.9	BLACK	GRAY	0°	8-1877847-1
Ø 4.0-Ø 5.2	BLACK	GRAY	0°	8-1877847-0
Ø 5.3-Ø 6.5	BLACK	GRAY	0°	7-1877847-9
Ø 2.7-Ø 3.9	GRAY	BLACK	80°	7-1877847-8
Ø 4.0-Ø 5.2	GRAY	BLACK	80°	7-1877847-7
Ø 5.3-Ø 6.5	GRAY	BLACK	80°	7-1877847-6
Ø 2.7-Ø 3.9	GRAY	BLACK	0°	7-1877847-5
Ø 4.0-Ø 5.2	GRAY	BLACK	0°	7-1877847-4
Ø 5.3-Ø 6.5	GRAY	BLACK	0°	7-1877847-3
CABLE RANGE	COLLET NUT COLOR	LATCH HOUSING COLOR	KEYING	PART NO.
PART NUMBERS 73 THRU 84				

DIMENSIONS: mm 		TO DRAWING ONLY OPERATING SPECIFICATIONS 0 PLC Ø-.13 1 PLC Ø-.13 2 PLC Ø-.08 3 PLC Ø-.08 4 PLC Ø-.13 ANGLES 30°	DATE: 09MAR2006 BY: MILLER CHK: BREKOSKY APPROV:	Tyco Electronics Harrisburg, PA 17105-3608
MATERIAL: - FINISH: -		PRODUCT SPEC: 108-2249 APPLICATION SPEC: 114-13184	NAME: 7 POSITION, CABLE COLLET STRAIGHT PLUG ASSEMBLY 0 AND 80 DEGREE KEYING STATE CASE CODE: A2 DRAWING NO: 100779 REV: 1877847	RESTRICTED TO: - SCALE: 4:1 SHEET: 3 OF 3 REV: B2