

4

3

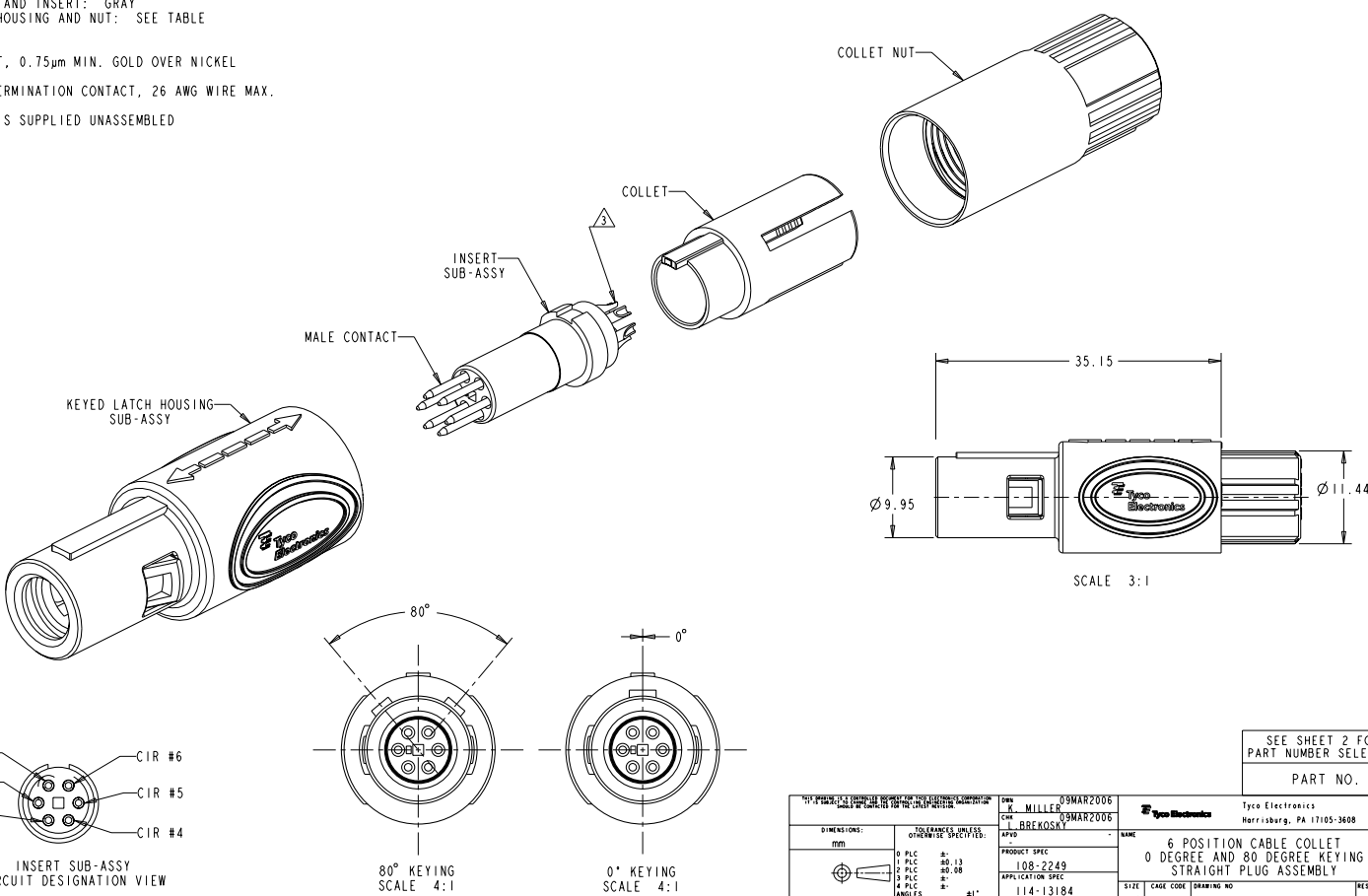
2

1

THIS DRAWING IS UNPUBLISHED. RELEASED FOR PUBLICATION
 BY TYCO ELECTRONICS CORPORATION. ALL RIGHTS RESERVED.

REV	DATE	BY	CHKD	APPROV
A	ECO-07-010931	10M12007	RB	DR
B	ECO-07-018972	15A062007	RB	DR
B1	REVISED PER ECO-08-004497	25F082008	SS	DR
B2	REVISED PER ECO-09-008097	04APR2009	MF	DR

- ⚠ MATERIAL:
 CONTACT: BRASS
 LATCH HOUSING, INSERT, COLLET, COLLET NUT:
 UL 94V-0 RATED THERMOPLASTIC
 COLOR:
 COLLET AND INSERT: GRAY
 LATCH HOUSING AND NUT: SEE TABLE
- ⚠ FINISH:
 CONTACT, 0.75µm MIN. GOLD OVER NICKEL
- ⚠ SOLDER TERMINATION CONTACT, 26 AWG WIRE MAX.
- 4. PRODUCT IS SUPPLIED UNASSEMBLED



SEE SHEET 2 FOR
 PART NUMBER SELECTION
 PART NO.

DIMENSIONS: mm 0 PLC ±0.13 1 PLC ±0.08 2 PLC ±0.08 3 PLC ±0.08 4 PLC ±0.08 5 PLC ±0.08 6 PLC ±0.08 ANGLES ±0.1°		DATE: 09MAR2006 DRAWN BY: K. MILLER CHECKED BY: L. BREKOSKY PRODUCT SPEC: 108-2249 APPLICATION SPEC: 114-13184 WEIGHT: - FINISH: -	TITLE: 6 POSITION CABLE COLLET 0 DEGREE AND 80 DEGREE KEYING STRAIGHT PLUG ASSEMBLY CASE CODE: 100779 DRAWING NO: 1877846 SCALE: 4:1 SHEET 1 OF 3 REV B2
--	--	--	---

4

3

2

1

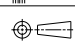
THIS DRAWING IS UNPUBLISHED. RELEASED FOR PUBLICATION
 BY TYCO ELECTRONICS CORPORATION. ALL RIGHTS RESERVED.

LOC AD DIST 00

REVISIONS				
P	LY	DESCRIPTION	DATE	BY
-	-	SEE SHEET 1	-	-

Ø 2.7-Ø 3.9	BLUE	GRAY	80°	7-1877846-2
Ø 4.0-Ø 5.2	BLUE	GRAY	80°	7-1877846-1
Ø 5.3-Ø 6.5	BLUE	GRAY	80°	7-1877846-0
Ø 2.7-Ø 3.9	BLUE	GRAY	0°	6-1877846-9
Ø 4.0-Ø 5.2	BLUE	GRAY	0°	6-1877846-8
Ø 5.3-Ø 6.5	BLUE	GRAY	0°	6-1877846-7
Ø 2.7-Ø 3.9	BLUE	BLACK	80°	6-1877846-6
Ø 4.0-Ø 5.2	BLUE	BLACK	80°	6-1877846-5
Ø 5.3-Ø 6.5	BLUE	BLACK	80°	6-1877846-4
Ø 2.7-Ø 3.9	BLUE	BLACK	0°	6-1877846-3
Ø 4.0-Ø 5.2	BLUE	BLACK	0°	6-1877846-2
Ø 5.3-Ø 6.5	BLUE	BLACK	0°	6-1877846-1
Ø 2.7-Ø 3.9	GREEN	GRAY	80°	6-1877846-0
Ø 4.0-Ø 5.2	GREEN	GRAY	80°	5-1877846-9
Ø 5.3-Ø 6.5	GREEN	GRAY	80°	5-1877846-8
Ø 2.7-Ø 3.9	GREEN	GRAY	0°	5-1877846-7
Ø 4.0-Ø 5.2	GREEN	GRAY	0°	5-1877846-6
Ø 5.3-Ø 6.5	GREEN	GRAY	0°	5-1877846-5
Ø 2.7-Ø 3.9	GREEN	BLACK	80°	5-1877846-4
Ø 4.0-Ø 5.2	GREEN	BLACK	80°	5-1877846-3
Ø 5.3-Ø 6.5	GREEN	BLACK	80°	5-1877846-2
Ø 2.7-Ø 3.9	GREEN	BLACK	0°	5-1877846-1
Ø 4.0-Ø 5.2	GREEN	BLACK	0°	5-1877846-0
Ø 5.3-Ø 6.5	GREEN	BLACK	0°	4-1877846-9
Ø 2.7-Ø 3.9	YELLOW	GRAY	80°	4-1877846-8
Ø 4.0-Ø 5.2	YELLOW	GRAY	80°	4-1877846-7
Ø 5.3-Ø 6.5	YELLOW	GRAY	80°	4-1877846-6
Ø 2.7-Ø 3.9	YELLOW	GRAY	0°	4-1877846-5
Ø 4.0-Ø 5.2	YELLOW	GRAY	0°	4-1877846-4
Ø 5.3-Ø 6.5	YELLOW	GRAY	0°	4-1877846-3
Ø 2.7-Ø 3.9	YELLOW	BLACK	80°	4-1877846-2
Ø 4.0-Ø 5.2	YELLOW	BLACK	80°	4-1877846-1
Ø 5.3-Ø 6.5	YELLOW	BLACK	80°	4-1877846-0
Ø 2.7-Ø 3.9	YELLOW	BLACK	0°	3-1877846-9
Ø 4.0-Ø 5.2	YELLOW	BLACK	0°	3-1877846-8
Ø 5.3-Ø 6.5	YELLOW	BLACK	0°	3-1877846-7
CABLE RANGE	COLLET NUT COLOR	LATCH HOUSING COLOR	KEYING	PART NO.
PART NUMBERS 37 THRU 72				

Ø 2.7-Ø 3.9	WHITE	GRAY	80°	3-1877846-6
Ø 4.0-Ø 5.2	WHITE	GRAY	80°	3-1877846-5
Ø 5.3-Ø 6.5	WHITE	GRAY	80°	3-1877846-4
Ø 2.7-Ø 3.9	WHITE	GRAY	0°	3-1877846-3
Ø 4.0-Ø 5.2	WHITE	GRAY	0°	3-1877846-2
Ø 5.3-Ø 6.5	WHITE	GRAY	0°	3-1877846-1
Ø 2.7-Ø 3.9	WHITE	BLACK	80°	3-1877846-0
Ø 4.0-Ø 5.2	WHITE	BLACK	80°	2-1877846-9
Ø 5.3-Ø 6.5	WHITE	BLACK	80°	2-1877846-8
Ø 2.7-Ø 3.9	WHITE	BLACK	0°	2-1877846-7
Ø 4.0-Ø 5.2	WHITE	BLACK	0°	2-1877846-6
Ø 5.3-Ø 6.5	WHITE	BLACK	0°	2-1877846-5
Ø 2.7-Ø 3.9	RED	GRAY	80°	2-1877846-4
Ø 4.0-Ø 5.2	RED	GRAY	80°	2-1877846-3
Ø 5.3-Ø 6.5	RED	GRAY	80°	2-1877846-2
Ø 2.7-Ø 3.9	RED	GRAY	0°	2-1877846-1
Ø 4.0-Ø 5.2	RED	GRAY	0°	2-1877846-0
Ø 5.3-Ø 6.5	RED	GRAY	0°	1-1877846-9
Ø 2.7-Ø 3.9	RED	BLACK	80°	1-1877846-8
Ø 4.0-Ø 5.2	RED	BLACK	80°	1-1877846-7
Ø 5.3-Ø 6.5	RED	BLACK	80°	1-1877846-6
Ø 2.7-Ø 3.9	RED	BLACK	0°	1-1877846-5
Ø 4.0-Ø 5.2	RED	BLACK	0°	1-1877846-4
Ø 5.3-Ø 6.5	RED	BLACK	0°	1-1877846-3
Ø 2.7-Ø 3.9	GRAY	GRAY	80°	1-1877846-2
Ø 4.0-Ø 5.2	GRAY	GRAY	80°	1-1877846-1
Ø 5.3-Ø 6.5	GRAY	GRAY	80°	1-1877846-0
Ø 2.7-Ø 3.9	GRAY	GRAY	0°	1877846-9
Ø 4.0-Ø 5.2	GRAY	GRAY	0°	1877846-8
Ø 5.3-Ø 6.5	GRAY	GRAY	0°	1877846-7
Ø 2.7-Ø 3.9	BLACK	BLACK	80°	1877846-6
Ø 4.0-Ø 5.2	BLACK	BLACK	80°	1877846-5
Ø 5.3-Ø 6.5	BLACK	BLACK	80°	1877846-4
Ø 2.7-Ø 3.9	BLACK	BLACK	0°	1877846-3
Ø 4.0-Ø 5.2	BLACK	BLACK	0°	1877846-2
Ø 5.3-Ø 6.5	BLACK	BLACK	0°	1877846-1
CABLE RANGE	COLLET NUT COLOR	LATCH HOUSING COLOR	KEYING	PART NO.
PART NUMBERS 1 THRU 36				

DIMENSIONS: mm 		TO FINISH: 0° TO FINISH: 80-13 TO FINISH: 80-08 TO FINISH: 0° TO FINISH: 0° TO FINISH: 0°	DATE: 09MAR2006 BY: W. MILLER CHK: L. BREKOSKY DATE: 09MAR2006	Tyco Electronics Harrisburg, PA 17105-3608
MATERIAL: - FINISH: -		PRODUCT SPEC: 108-2249 APPLICATION SPEC: 114-13184 WEIGHT: - CUSTOMER DRAWING	NAME: 6 POSITION CABLE COLLET 0 DEGREE AND 80 DEGREE KEYING STRAIGHT PLUG ASSEMBLY CASE CODE: A2 DRAWING NO: 100779 SCALE: 4:1 SHEET 2 OF 3 REV B2	RESTRICTED TO: -

4

3

2

1

THIS DRAWING IS UNPUBLISHED. RELEASED FOR PUBLICATION
 BY TYCO ELECTRONICS CORPORATION. ALL RIGHTS RESERVED.

LOC	QTY	REVISIONS					
AD	00	P	LY	DESCRIPTION	DATE	BY	APPR
		-		SEE SHEET 1	-	-	-

Ø 2.7-Ø 3.9	BLACK	GRAY	80°	8-1877846-4
Ø 4.0-Ø 5.2	BLACK	GRAY	80°	8-1877846-3
Ø 5.3-Ø 6.5	BLACK	GRAY	80°	8-1877846-2
Ø 2.7-Ø 3.9	BLACK	GRAY	0°	8-1877846-1
Ø 4.0-Ø 5.2	BLACK	GRAY	0°	8-1877846-0
Ø 5.3-Ø 6.5	BLACK	GRAY	0°	7-1877846-9
Ø 2.7-Ø 3.9	GRAY	BLACK	80°	7-1877846-8
Ø 4.0-Ø 5.2	GRAY	BLACK	80°	7-1877846-7
Ø 5.3-Ø 6.5	GRAY	BLACK	80°	7-1877846-6
Ø 2.7-Ø 3.9	GRAY	BLACK	0°	7-1877846-5
Ø 4.0-Ø 5.2	GRAY	BLACK	0°	7-1877846-4
Ø 5.3-Ø 6.5	GRAY	BLACK	0°	7-1877846-3
CABLE RANGE	BACK-NUT COLOR	LATCH HOUSING COLOR	KEYING	PART NO.
PART NUMBERS 73 THRU 84				

<small>THIS DRAWING IS UNPUBLISHED. RELEASED FOR PUBLICATION BY TYCO ELECTRONICS CORPORATION. ALL RIGHTS RESERVED.</small>		DWG NO. 09MAR2006 BY MILLER CHK. 09MAR2006 BY BREKOSKY	Tyco Electronics Harrisburg, PA 17105-3608
DIMENSIONS: mm	TO DRAWING ONLY OPERATING SPECIFICATIONS	PRODUCT SPEC 108-2249 APPLICATION SPEC 114-13184	NAME 6 POSITION CABLE COLLET 0 DEGREE AND 80 DEGREE KEYING STRAIGHT PLUG ASSEMBLY
	0 PLC Ø .13 1 PLC Ø .08 2 PLC Ø .08 3 PLC Ø .13 4 PLC Ø .13 ANGLE 90°	WEIGHT CUSTOMER DRAWING	STATE CASE CODE DRAWING NO. A2 00779 ©-1877846 RESTRICTED TO
MATERIAL FINISH		SCALE 4:1	SHEET 3 OF 3 REV B2