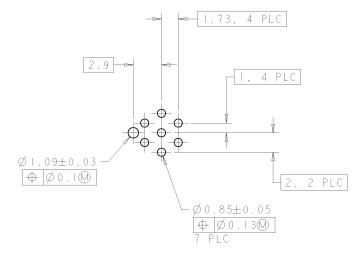
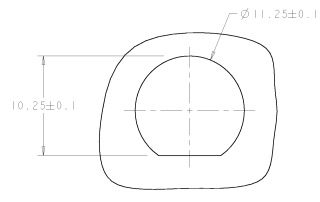
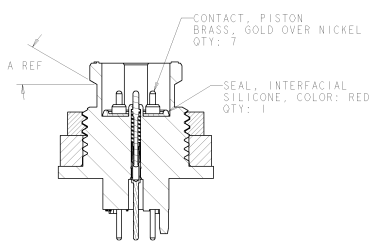
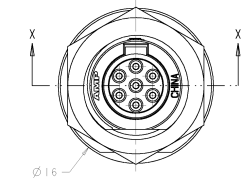
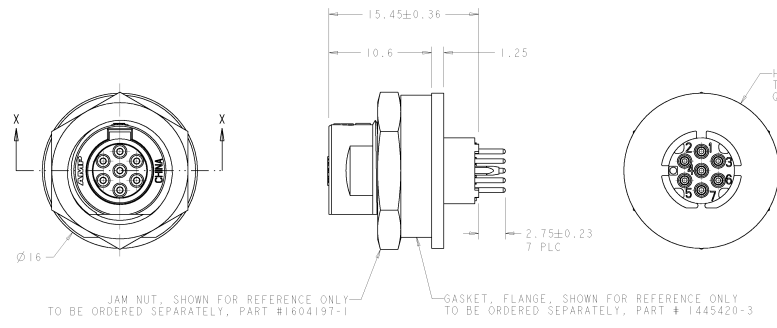


REV. NO.		REV. DATE		REV. DESCRIPTION	
0	FT	0			
1	TM				
2	RE				
3	RE				
4	RE				
5	RE				
6	RE				
7	RE				
8	RE				



SUGGESTED PRINTED CIRCUIT BOARD LAYOUT



QTY	CIRCUITS LOADED	FINISH	A	COLOR	LATCH	PART NUMBER
2	1,7	TIN OVER NICKEL	30°	WHITE	BREAKAWAY	3-1445719-1
2	1,7	TIN OVER NICKEL	0°	BLACK	POSITIVE	3-1445719-0
3	2,3,7	TIN OVER NICKEL	30°	WHITE	BREAKAWAY	2-1445719-9
3	2,3,7	TIN OVER NICKEL	0°	BLACK	POSITIVE	2-1445719-8
4	2,3,5,6	TIN OVER NICKEL	30°	WHITE	BREAKAWAY	2-1445719-7
4	2,3,5,6	TIN OVER NICKEL	0°	BLACK	POSITIVE	2-1445719-6
5	2,3,4,5,6	TIN OVER NICKEL	30°	WHITE	BREAKAWAY	2-1445719-5
5	2,3,4,5,6	TIN OVER NICKEL	0°	BLACK	POSITIVE	2-1445719-4
6	1,2,3,5,6,7	TIN OVER NICKEL	30°	WHITE	BREAKAWAY	2-1445719-3
6	1,2,3,5,6,7	TIN OVER NICKEL	0°	BLACK	POSITIVE	2-1445719-2
7	ALL	TIN OVER NICKEL	30°	WHITE	BREAKAWAY	2-1445719-1
7	ALL	TIN OVER NICKEL	0°	BLACK	POSITIVE	2-1445719-0
2	1,7	TIN-LEAD OVER NICKEL	30°	WHITE	BREAKAWAY	1-1445719-2
2	1,7	TIN-LEAD OVER NICKEL	0°	BLACK	POSITIVE	1-1445719-1
3	2,3,7	TIN-LEAD OVER NICKEL	30°	WHITE	BREAKAWAY	1-1445719-0
3	2,3,7	TIN-LEAD OVER NICKEL	0°	BLACK	POSITIVE	1445719-9
4	2,3,5,6	TIN-LEAD OVER NICKEL	30°	WHITE	BREAKAWAY	1445719-8
4	2,3,5,6	TIN-LEAD OVER NICKEL	0°	BLACK	POSITIVE	1445719-7
5	2,3,4,5,6	TIN-LEAD OVER NICKEL	30°	WHITE	BREAKAWAY	1445719-6
5	2,3,4,5,6	TIN-LEAD OVER NICKEL	0°	BLACK	POSITIVE	1445719-5
6	1,2,3,5,6,7	TIN-LEAD OVER NICKEL	30°	WHITE	BREAKAWAY	1445719-4
6	1,2,3,5,6,7	TIN-LEAD OVER NICKEL	0°	BLACK	POSITIVE	1445719-3
7	ALL	TIN-LEAD OVER NICKEL	30°	WHITE	BREAKAWAY	1445719-2
7	ALL	TIN-LEAD OVER NICKEL	0°	BLACK	POSITIVE	1445719-1

<p>DATE: 28 FEB 2007</p> <p>BY: [Signature]</p> <p>APP: [Signature]</p>	<p>DATE: 28 FEB 2007</p> <p>BY: [Signature]</p> <p>APP: [Signature]</p>	<p>Tyco Electronics</p> <p>RECEPTACLE ASSEMBLY, 7 POSITION, PANEL MOUNT, SPRING PROBE, SOLDER TAIL, MICRO CPC</p> <p>DATE: 28 FEB 2007</p> <p>BY: [Signature]</p> <p>APP: [Signature]</p>
---	---	--