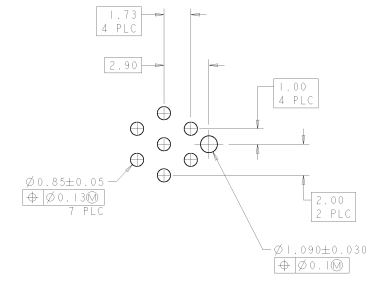
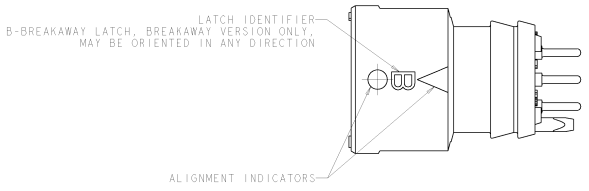
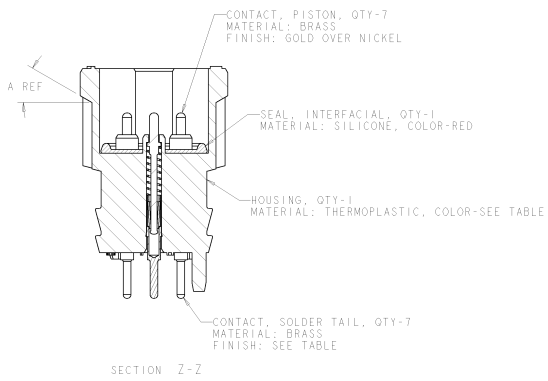
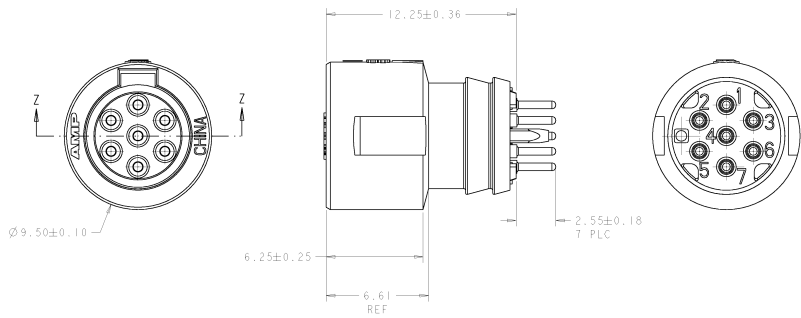


REV. NO.		DESCRIPTION		DATE	BY	CHK
0	1	REVISED PER ECO-06-2703				
0	2	REVISED PER ECO-06-2703				
0	3	REVISED PER ECO-06-2703				



SUGGESTED PRINTED CIRCUIT BOARD LAYOUT



QTY	CIRCUITS LOADED	FINISH	A	COLOR	LATCH	PART NUMBER
2	1,7.	TIN OVER NICKEL	30°	WHITE	BREAKAWAY	3-1445323-1
2	1,7.	TIN OVER NICKEL	0°	BLACK	POSITIVE	3-1445323-0
3	2,3,7.	TIN OVER NICKEL	30°	WHITE	BREAKAWAY	2-1445323-9
3	2,3,7.	TIN OVER NICKEL	0°	BLACK	POSITIVE	2-1445323-8
4	2,3,5,6.	TIN OVER NICKEL	30°	WHITE	BREAKAWAY	2-1445323-7
4	2,3,5,6.	TIN OVER NICKEL	0°	BLACK	POSITIVE	2-1445323-6
5	2,3,4,5,6.	TIN OVER NICKEL	30°	WHITE	BREAKAWAY	2-1445323-5
5	2,3,4,5,6.	TIN OVER NICKEL	0°	BLACK	POSITIVE	2-1445323-4
6	1,2,3,5,6,7.	TIN OVER NICKEL	30°	WHITE	BREAKAWAY	2-1445323-3
6	1,2,3,5,6,7.	TIN OVER NICKEL	0°	BLACK	POSITIVE	2-1445323-2
7	ALL	TIN OVER NICKEL	30°	WHITE	BREAKAWAY	2-1445323-1
7	ALL	TIN OVER NICKEL	0°	BLACK	POSITIVE	2-1445323-0
2	1,7.	TIN-LEAD OVER NICKEL	30°	WHITE	BREAKAWAY	1-1445323-2
2	1,7.	TIN-LEAD OVER NICKEL	0°	BLACK	POSITIVE	1-1445323-1
3	2,3,7.	TIN-LEAD OVER NICKEL	30°	WHITE	BREAKAWAY	1-1445323-0
3	2,3,7.	TIN-LEAD OVER NICKEL	0°	BLACK	POSITIVE	1445323-09
4	2,3,5,6.	TIN-LEAD OVER NICKEL	30°	WHITE	BREAKAWAY	1445323-08
4	2,3,5,6.	TIN-LEAD OVER NICKEL	0°	BLACK	POSITIVE	1445323-07
5	2,3,4,5,6.	TIN-LEAD OVER NICKEL	30°	WHITE	BREAKAWAY	1445323-06
5	2,3,4,5,6.	TIN-LEAD OVER NICKEL	0°	BLACK	POSITIVE	1445323-05
6	1,2,3,5,6,7.	TIN-LEAD OVER NICKEL	30°	WHITE	BREAKAWAY	1445323-04
6	1,2,3,5,6,7.	TIN-LEAD OVER NICKEL	0°	BLACK	POSITIVE	1445323-03
7	ALL	TIN-LEAD OVER NICKEL	30°	WHITE	BREAKAWAY	1445323-02
7	ALL	TIN-LEAD OVER NICKEL	0°	BLACK	POSITIVE	1445323-01

MANUFACTURED BY Tyco Electronics 27 JUL 2004	DATE 27 JUL 2004	Tyco Electronics Harrisburg, PA 17105-1800
PART NUMBER 1445323-01	DESCRIPTION RECEPTACLE ASSEMBLY, 7 POSITION, SPRING PROBE, SOLDER TAIL, MICRO SPC	DRAWING NO. 1445323-01
SEE CALLOUT 1	SEE CALLOUT 1	CUSTOMER DRAWING A 100779 1445323