

4

3

2

1

THIS DRAWING IS UNPUBLISHED. RELEASED FOR PUBLICATION BY TYCO ELECTRONICS CORPORATION. ALL RIGHTS RESERVED.

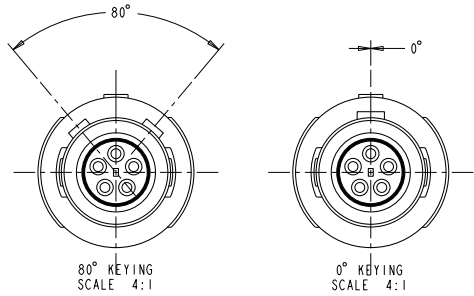
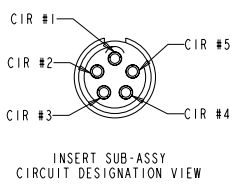
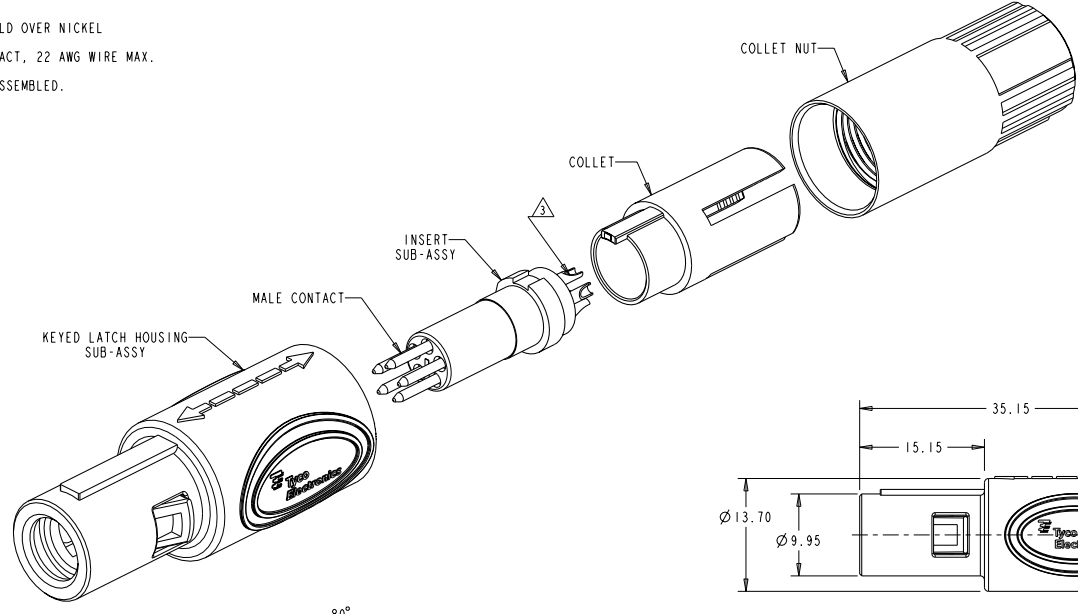
MATERIAL:
 CONTACT: BRASS
 LATCH HOUSING, INSERT, COLLET, COLLET NUT:
 UL 94V-0 RATED THERMOPLASTIC
 COLOR:
 COLLET AND INSERT: GRAY
 LATCH HOUSING AND NUT: SEE TABLE

FINISH:
 CONTACT, 0.75µm MIN. GOLD OVER NICKEL

SOLDER TERMINATION CONTACT, 22 AWG WIRE MAX.

4. PRODUCT IS SUPPLIED UNASSEMBLED.

REV	DATE	BY	CHKD	APPROV
A	ECO-07-010931	10M12007	RB	DR
B	ECO-07-018972	15A062007	RB	DR
B1	REVISED PER ECO-08-011256	09M12008	SS	DR
B2	REVISED PER ECO-09-008097	08M12009	MF	DR



SEE SHEET 2 FOR PART NUMBER SELECTION
PART NUMBER

DIMENSIONS: mm		DATE: 09MAR2006 DWG: K. MILLER CHK: B. BOKOSKY		Tyco Electronics Harrisburg, PA 17105-3608	
0 PLC 20-13 1 PLC 20-13 2 PLC 20-08 3 PLC 20-13 4 PLC 20-13 ANGLES 20° 21°		PRODUCT SPEC: 108-2249 APPLICATION SPEC: 114-13184		NAME: 5 POSITION, CABLE COLLET STRAIGHT PLUG ASSEMBLY 0 AND 80 DEGREE KEYING SHEET: A2 CASE CODE: 00779 DRAWING NO: 1877845	
MATERIAL: - FINISH: -		CUSTOMER DRAWING		RESTRICTED TO: - SCALE: 4:1 SHEET 1 OF 3 REV B2	

4

3

2

1

THIS DRAWING IS UNPUBLISHED. RELEASED FOR PUBLICATION
 BY TYCO ELECTRONICS CORPORATION. ALL RIGHTS RESERVED.

LOC AD DIST 00

REVISIONS				
P	LV	DESCRIPTION	DATE	BY
-	-	SEE SHEET 1	-	-

Ø 2.7-Ø 3.9	BLUE	GRAY	80°	7-1877845-2
Ø 4.0-Ø 5.2	BLUE	GRAY	80°	7-1877845-1
Ø 5.3-Ø 6.5	BLUE	GRAY	80°	7-1877845-0
Ø 2.7-Ø 3.9	BLUE	GRAY	0°	6-1877845-9
Ø 4.0-Ø 5.2	BLUE	GRAY	0°	6-1877845-8
Ø 5.3-Ø 6.5	BLUE	GRAY	0°	6-1877845-7
Ø 2.7-Ø 3.9	BLUE	BLACK	80°	6-1877845-6
Ø 4.0-Ø 5.2	BLUE	BLACK	80°	6-1877845-5
Ø 5.3-Ø 6.5	BLUE	BLACK	80°	6-1877845-4
Ø 2.7-Ø 3.9	BLUE	BLACK	0°	6-1877845-3
Ø 4.0-Ø 5.2	BLUE	BLACK	0°	6-1877845-2
Ø 5.3-Ø 6.5	BLUE	BLACK	0°	6-1877845-1
Ø 2.7-Ø 3.9	GREEN	GRAY	80°	6-1877845-0
Ø 4.0-Ø 5.2	GREEN	GRAY	80°	5-1877845-9
Ø 5.3-Ø 6.5	GREEN	GRAY	80°	5-1877845-8
Ø 2.7-Ø 3.9	GREEN	GRAY	0°	5-1877845-7
Ø 4.0-Ø 5.2	GREEN	GRAY	0°	5-1877845-6
Ø 5.3-Ø 6.5	GREEN	GRAY	0°	5-1877845-5
Ø 2.7-Ø 3.9	GREEN	BLACK	80°	5-1877845-4
Ø 4.0-Ø 5.2	GREEN	BLACK	80°	5-1877845-3
Ø 5.3-Ø 6.5	GREEN	BLACK	80°	5-1877845-2
Ø 2.7-Ø 3.9	GREEN	BLACK	0°	5-1877845-1
Ø 4.0-Ø 5.2	GREEN	BLACK	0°	5-1877845-0
Ø 5.3-Ø 6.5	GREEN	BLACK	0°	4-1877845-9
Ø 2.7-Ø 3.9	YELLOW	GRAY	80°	4-1877845-8
Ø 4.0-Ø 5.2	YELLOW	GRAY	80°	4-1877845-7
Ø 5.3-Ø 6.5	YELLOW	GRAY	80°	4-1877845-6
Ø 2.7-Ø 3.9	YELLOW	GRAY	0°	4-1877845-5
Ø 4.0-Ø 5.2	YELLOW	GRAY	0°	4-1877845-4
Ø 5.3-Ø 6.5	YELLOW	GRAY	0°	4-1877845-3
Ø 2.7-Ø 3.9	YELLOW	BLACK	80°	4-1877845-2
Ø 4.0-Ø 5.2	YELLOW	BLACK	80°	4-1877845-1
Ø 5.3-Ø 6.5	YELLOW	BLACK	80°	4-1877845-0
Ø 2.7-Ø 3.9	YELLOW	BLACK	0°	3-1877845-9
Ø 4.0-Ø 5.2	YELLOW	BLACK	0°	3-1877845-8
Ø 5.3-Ø 6.5	YELLOW	BLACK	0°	3-1877845-7
CABLE RANGE	BACK-NUT COLOR	LATCH HOUSING COLOR	KEYING	PART NO.
PART NUMBERS 37 THRU 72				

Ø 2.7-Ø 3.9	WHITE	GRAY	80°	3-1877845-6
Ø 4.0-Ø 5.2	WHITE	GRAY	80°	3-1877845-5
Ø 5.3-Ø 6.5	WHITE	GRAY	80°	3-1877845-4
Ø 2.7-Ø 3.9	WHITE	GRAY	0°	3-1877845-3
Ø 4.0-Ø 5.2	WHITE	GRAY	0°	3-1877845-2
Ø 5.3-Ø 6.5	WHITE	GRAY	0°	3-1877845-1
Ø 2.7-Ø 3.9	WHITE	BLACK	80°	3-1877845-0
Ø 4.0-Ø 5.2	WHITE	BLACK	80°	2-1877845-9
Ø 5.3-Ø 6.5	WHITE	BLACK	80°	2-1877845-8
Ø 2.7-Ø 3.9	WHITE	BLACK	0°	2-1877845-7
Ø 4.0-Ø 5.2	WHITE	BLACK	0°	2-1877845-6
Ø 5.3-Ø 6.5	WHITE	BLACK	0°	2-1877845-5
Ø 2.7-Ø 3.9	RED	GRAY	80°	2-1877845-4
Ø 4.0-Ø 5.2	RED	GRAY	80°	2-1877845-3
Ø 5.3-Ø 6.5	RED	GRAY	80°	2-1877845-2
Ø 2.7-Ø 3.9	RED	GRAY	0°	2-1877845-1
Ø 4.0-Ø 5.2	RED	GRAY	0°	2-1877845-0
Ø 5.3-Ø 6.5	RED	GRAY	0°	1-1877845-9
Ø 2.7-Ø 3.9	RED	BLACK	80°	1-1877845-8
Ø 4.0-Ø 5.2	RED	BLACK	80°	1-1877845-7
Ø 5.3-Ø 6.5	RED	BLACK	80°	1-1877845-6
Ø 2.7-Ø 3.9	RED	BLACK	0°	1-1877845-5
Ø 4.0-Ø 5.2	RED	BLACK	0°	1-1877845-4
Ø 5.3-Ø 6.5	RED	BLACK	0°	1-1877845-3
Ø 2.7-Ø 3.9	GRAY	GRAY	80°	1-1877845-2
Ø 4.0-Ø 5.2	GRAY	GRAY	80°	1-1877845-1
Ø 5.3-Ø 6.5	GRAY	GRAY	80°	1-1877845-0
Ø 2.7-Ø 3.9	GRAY	GRAY	0°	1877845-9
Ø 4.0-Ø 5.2	GRAY	GRAY	0°	1877845-8
Ø 5.3-Ø 6.5	GRAY	GRAY	0°	1877845-7
Ø 2.7-Ø 3.9	BLACK	BLACK	80°	1877845-6
Ø 4.0-Ø 5.2	BLACK	BLACK	80°	1877845-5
Ø 5.3-Ø 6.5	BLACK	BLACK	80°	1877845-4
Ø 2.7-Ø 3.9	BLACK	BLACK	0°	1877845-3
Ø 4.0-Ø 5.2	BLACK	BLACK	0°	1877845-2
Ø 5.3-Ø 6.5	BLACK	BLACK	0°	1877845-1
CABLE RANGE	BACK-NUT COLOR	LATCH HOUSING COLOR	KEYING	PART NO.
PART NUMBERS 1 THRU 36				

DIMENSIONS: mm		TO DIMENSIONS UNLESS OTHERWISE SPECIFIED.		DWG: 09MAR2006 W. MILLER CHK: 09MAR2006 L. BREKOSKY	Tyco Electronics Harrisburg, PA 17105-3608
MATERIAL:	FINISH:	PRODUCT SPEC: 108-2249 APPLICATION SPEC: 114-13184	WEIGHT: A2 CASE CODE: 00779 DRAWING NO: 1877845	RESTRICTED TO:	SCALE: 4:1 SHEET: 2 OF 3 REV: B2

4

3


2

1

THIS DRAWING IS UNPUBLISHED. RELEASED FOR PUBLICATION
 BY TYCO ELECTRONICS CORPORATION. ALL RIGHTS RESERVED.

REV	DATE	BY	APPROV	DESCRIPTION
-	-	-	-	SEE SHEET 1

Ø 2.7-Ø 3.9	BLACK	GRAY	80°	8-1877845-4
Ø 4.0-Ø 5.2	BLACK	GRAY	80°	8-1877845-3
Ø 5.3-Ø 6.5	BLACK	GRAY	80°	8-1877845-2
Ø 2.7-Ø 3.9	BLACK	GRAY	0°	8-1877845-1
Ø 4.0-Ø 5.2	BLACK	GRAY	0°	8-1877845-0
Ø 5.3-Ø 6.5	BLACK	GRAY	0°	7-1877845-9
Ø 2.7-Ø 3.9	GRAY	BLACK	80°	7-1877845-8
Ø 4.0-Ø 5.2	GRAY	BLACK	80°	7-1877845-7
Ø 5.3-Ø 6.5	GRAY	BLACK	80°	7-1877845-6
Ø 2.7-Ø 3.9	GRAY	BLACK	0°	7-1877845-5
Ø 4.0-Ø 5.2	GRAY	BLACK	0°	7-1877845-4
Ø 5.3-Ø 6.5	GRAY	BLACK	0°	7-1877845-3
CABLE RANGE	BACK-NUT COLOR	LATCH HOUSING COLOR	KEYING	PART NO.
PART NUMBERS 73 THRU 84				

<small>THIS DRAWING IS UNPUBLISHED. RELEASED FOR PUBLICATION BY TYCO ELECTRONICS CORPORATION. ALL RIGHTS RESERVED.</small>		DWG NO: 09MAR2006 DESIGNED BY: MILLER CHKD BY: BREKOSKY DATE: 09MAR2006	Tyco Electronics Harrisburg, PA 17105-3608
DIMENSIONS: mm 	TO BE MADE TO THIS SPECIFICATION OPERATING SPECIFICATIONS	PRODUCT SPEC: 108-2249 APPLICATION SPEC: 114-13184	NAME: 5 POSITION, CABLE COLLET STRAIGHT PLUG ASSEMBLY 0 AND 80 DEGREE KEYING STATE CASE CODE: A2 DRAWING NO: 1877845 RESTRICTED TO:
MATERIAL:	FINISH:	WEIGHT:	SCALE: 4:1 SHEET 3 OF 3 REV B2
CUSTOMER DRAWING			