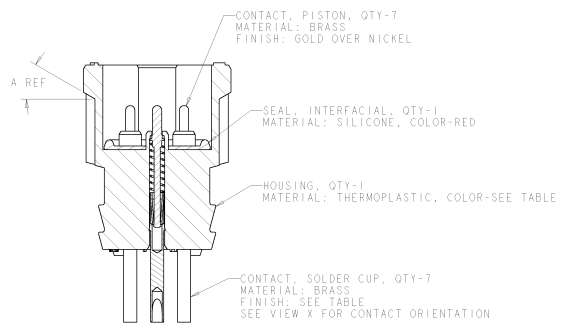
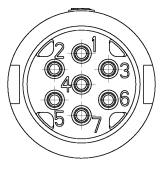
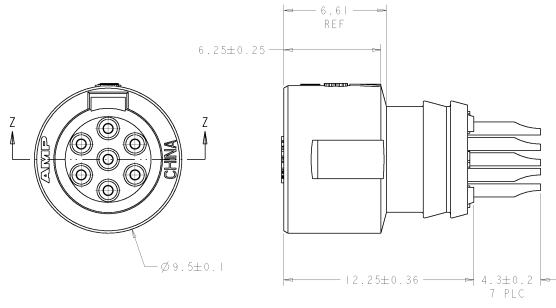
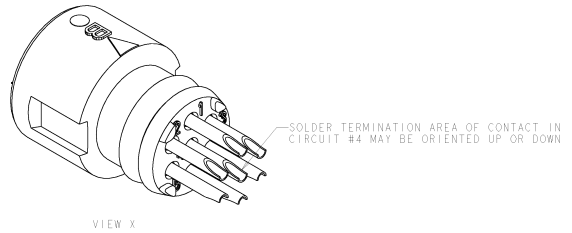
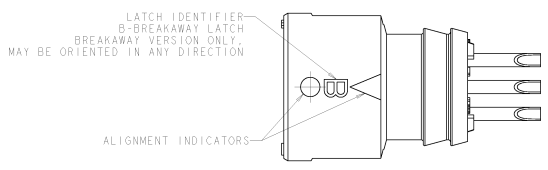


REV. NO.		REV. DATE		REV. BY		REV. FOR	
1	0						
2	1	06/28/04	TERRY L. BROWN	DA	DA	DA	DA
3	2	06/28/04	TERRY L. BROWN	DA	DA	DA	DA
4	3	06/28/04	TERRY L. BROWN	DA	DA	DA	DA
5	4	06/28/04	TERRY L. BROWN	DA	DA	DA	DA



QTY	CIRCUITS LOADED	FINISH	A	COLOR	LATCH	PART NUMBER
2	1,7	TIN OVER NICKEL	30°	WHITE	BREAKAWAY	3-1445555-1
2	1,7	TIN OVER NICKEL	0°	BLACK	POSITIVE	3-1445555-0
3	2,3,7	TIN OVER NICKEL	30°	WHITE	BREAKAWAY	2-1445555-9
3	2,3,7	TIN OVER NICKEL	0°	BLACK	POSITIVE	2-1445555-8
4	2,3,5,6	TIN OVER NICKEL	30°	WHITE	BREAKAWAY	2-1445555-7
4	2,3,5,6	TIN OVER NICKEL	0°	BLACK	POSITIVE	2-1445555-6
5	2,3,4,5,6	TIN OVER NICKEL	30°	WHITE	BREAKAWAY	2-1445555-5
5	2,3,4,5,6	TIN OVER NICKEL	0°	BLACK	POSITIVE	2-1445555-4
6	1,2,3,5,6,7	TIN OVER NICKEL	30°	WHITE	BREAKAWAY	2-1445555-3
6	1,2,3,5,6,7	TIN OVER NICKEL	0°	BLACK	POSITIVE	2-1445555-2
7	ALL	TIN OVER NICKEL	30°	WHITE	BREAKAWAY	2-1445555-1
7	ALL	TIN OVER NICKEL	0°	BLACK	POSITIVE	2-1445555-0
2	1,7	TIN-LEAD OVER NICKEL	30°	WHITE	BREAKAWAY	1-1445555-2
2	1,7	TIN-LEAD OVER NICKEL	0°	BLACK	POSITIVE	1-1445555-1
3	2,3,7	TIN-LEAD OVER NICKEL	30°	WHITE	BREAKAWAY	1-1445555-0
3	2,3,7	TIN-LEAD OVER NICKEL	0°	BLACK	POSITIVE	1445555-9
4	2,3,5,6	TIN-LEAD OVER NICKEL	30°	WHITE	BREAKAWAY	1445555-8
4	2,3,5,6	TIN-LEAD OVER NICKEL	0°	BLACK	POSITIVE	1445555-7
5	2,3,4,5,6	TIN-LEAD OVER NICKEL	30°	WHITE	BREAKAWAY	1445555-6
5	2,3,4,5,6	TIN-LEAD OVER NICKEL	0°	BLACK	POSITIVE	1445555-5
6	1,2,3,5,6,7	TIN-LEAD OVER NICKEL	30°	WHITE	BREAKAWAY	1445555-4
6	1,2,3,5,6,7	TIN-LEAD OVER NICKEL	0°	BLACK	POSITIVE	1445555-3
7	ALL	TIN-LEAD OVER NICKEL	30°	WHITE	BREAKAWAY	1445555-2
7	ALL	TIN-LEAD OVER NICKEL	0°	BLACK	POSITIVE	1445555-1

tyco Tyco Electronics Harrisburg, PA 17105-1800	
PART NUMBER: 1445555-1 QTY: 1 FINISH: A COLOR: WHITE LATCH: POSITIVE	tyco Tyco Electronics Harrisburg, PA 17105-1800 RECEPTACLE ASSEMBLY, 7 POSITION, SPRING PROBE, SOLDER CUP, MICRO CPC
SEE CALLOUT SEE CALLOUT	SEE CALLOUT SEE CALLOUT