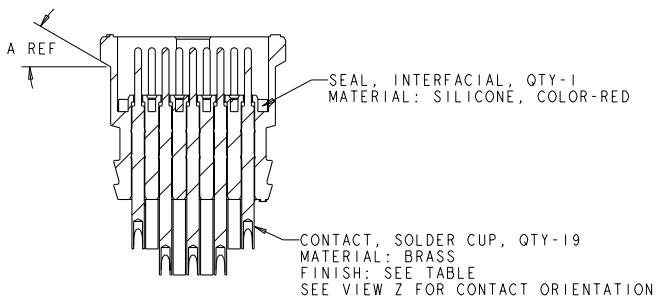
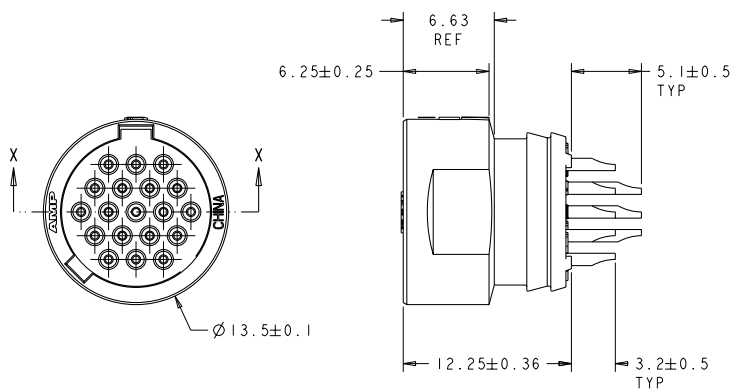
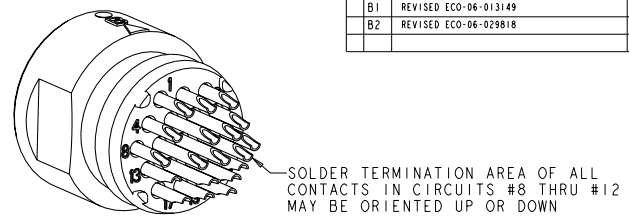
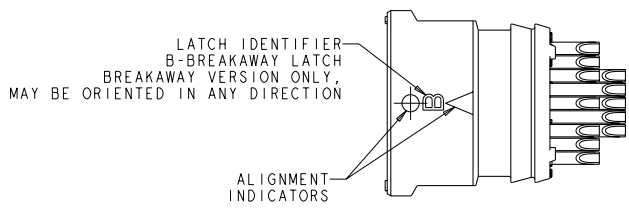


REVOLUTIONS		DATE	BY	APP'D
B	RELEASED EC 0638-0570-04	28JUL2004	SW	HW
B1	REVISED ECO-06-013149	06JUN2006	SW	DC
B2	REVISED ECO-06-029818	02JAN2007	SW	DC





DIMENSIONS: mm		OPERATING SPEC: 0 PLC ±; 1 PLC ±; 2 PLC ±0.13; 3 PLC ±; 4 PLC ±; ANGLES ±; FINISH ±	DWG: 23AUG2001 SHANE WILSON G. DOULTY 23AUG2001 APPROV: H. WAKLEM 28JUL2004	Tyco Electronics Harrisburg, PA 17105-3608
MATERIAL: SEE CALLOUT		PRODUCT SPEC: APPLICATION SPEC	NAME: ASSY, RECEPTACLE, VERTICLE, FREE HANGING, SOLDER CUP 19 POSITION, MICRO CPC	RESTRICTED TO:
WEIGHT: SEE CALLOUT		CUSTOMER DRAWING	SHEET: A2 00779 CASE CODE: 1445773	SCALE: 5:1 SHEET: 1 OF 2 REV: B2

THIS DRAWING IS UNPUBLISHED. RELEASED FOR PUBLICATION
 BY TYCO ELECTRONICS CORPORATION. ALL RIGHTS RESERVED.

REV	DATE	BY	APPROV
1			
2			
3			
4			
5			
6			
7			
8			
9			
10			
11			
12			
13			
14			
15			
16			
17			
18			
19			
20			

NO	LOC	FINISH	ANGLE	COLOR	LATCH	PART NUMBER
11	4-7, 9, 10, 11, 13-16	GOLD OVER NICKEL	30°	WHITE	BREAKAWAY	2-1445773-4
11	4-7, 9, 10, 11, 13-16	GOLD OVER NICKEL	0°	BLACK	POSITIVE	2-1445773-3
10	4-7, 9, 11, 13-16	GOLD OVER NICKEL	30°	WHITE	BREAKAWAY	2-1445773-2
10	4-7, 9, 11, 13-16	GOLD OVER NICKEL	0°	BLACK	POSITIVE	2-1445773-1
9	1, 3, 5, 6, 10, 14, 15, 17, 19	GOLD OVER NICKEL	30°	WHITE	BREAKAWAY	2-1445773-0
9	1, 3, 5, 6, 10, 14, 15, 17, 19	GOLD OVER NICKEL	0°	BLACK	POSITIVE	1-1445773-9
8	1, 3, 5, 6, 14, 15, 17, 19	GOLD OVER NICKEL	30°	WHITE	BREAKAWAY	1-1445773-8
8	1, 3, 5, 6, 14, 15, 17, 19	GOLD OVER NICKEL	0°	BLACK	POSITIVE	1-1445773-7
12	1-4, 7, 8, 12, 13, 16-19	GOLD OVER NICKEL	30°	WHITE	BREAKAWAY	1-1445773-6
12	1-4, 7, 8, 12, 13, 16-19	GOLD OVER NICKEL	0°	BLACK	POSITIVE	1-1445773-5
13	1-4, 7, 8, 10, 12, 13, 16-19	GOLD OVER NICKEL	30°	WHITE	BREAKAWAY	1-1445773-4
13	1-4, 7, 8, 10, 12, 13, 16-19	GOLD OVER NICKEL	0°	BLACK	POSITIVE	1-1445773-3
14	1-4, 7-9, 11-13, 16-19	GOLD OVER NICKEL	30°	WHITE	BREAKAWAY	1-1445773-2
14	1-4, 7-9, 11-13, 16-19	GOLD OVER NICKEL	0°	BLACK	POSITIVE	1-1445773-1
15	1-4, 7-13, 16-19	GOLD OVER NICKEL	30°	WHITE	BREAKAWAY	1-1445773-0
15	1-4, 7-13, 16-19	GOLD OVER NICKEL	0°	BLACK	POSITIVE	1445773-9
16	1-8, 12-19	GOLD OVER NICKEL	30°	WHITE	BREAKAWAY	1445773-8
16	1-8, 12-19	GOLD OVER NICKEL	0°	BLACK	POSITIVE	1445773-7
17	1-8, 10, 12-19	GOLD OVER NICKEL	30°	WHITE	BREAKAWAY	1445773-6
17	1-8, 10, 12-19	GOLD OVER NICKEL	0°	BLACK	POSITIVE	1445773-5
18	1-9, 11-19	GOLD OVER NICKEL	30°	WHITE	BREAKAWAY	1445773-4
18	1-9, 11-19	GOLD OVER NICKEL	0°	BLACK	POSITIVE	1445773-3
19	ALL	GOLD OVER NICKEL	30°	WHITE	BREAKAWAY	1445773-2
19	ALL	GOLD OVER NICKEL	0°	BLACK	POSITIVE	1445773-1
QTY	CIRCUITS LOADED	FINISH	A	COLOR	LATCH	PART NUMBER
CONTACTS			HOUSING			PART NUMBER

DIMENSIONS: mm 		TO BE CHECKED BY CUSTOMER OPERATED SPECIES: 0 PLC ± 1 PLC ±0.13 2 PLC ± 3 PLC ± 4 PLC ± ANGLES ± FINISH ±		DWG 23AUG2001 SHANE WILSON 23AUG2001 G. DOUITY 28JUL2004 H. WALKER	 Tyco Electronics Harrisburg, PA 17105-3608
MATERIAL: -		WEIGHT: - FINISH: -		NAME: ASSY. RECEPTACLE, VERTICAL, FREE HANGING, SOLDER CUP 19 POSITION, MICRO CPC STATE CASE CODE DRAWING NO: A2 00779 © 1445773 SCALE: 5:1 SHEET 2 OF 2 REV B2	