

4

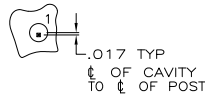
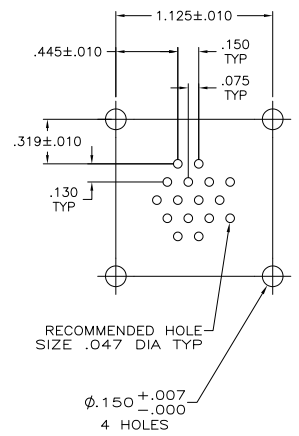
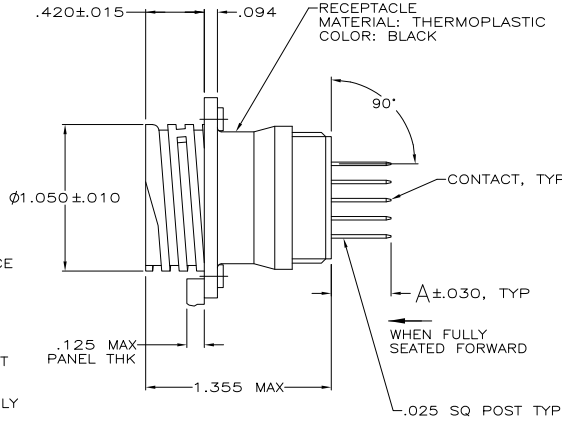
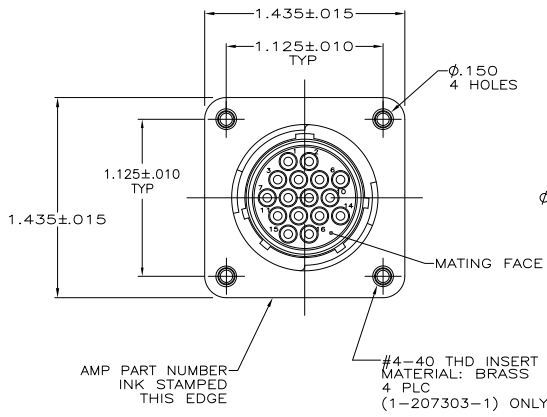
3

2

1

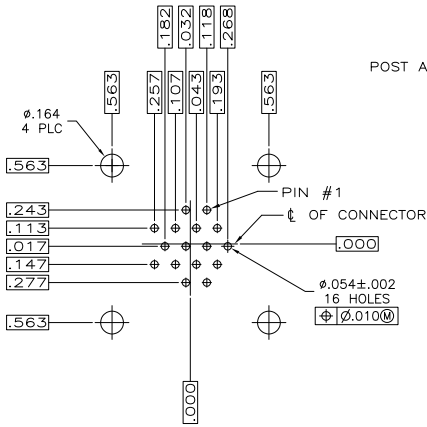
THIS DRAWING IS UNPUBLISHED. RELEASED FOR PUBLICATION. ALL RIGHTS RESERVED.

LOC	DIST	REVISIONS				
FT	0	P	LR	DATE	BY	APPD
		S2	REVISED PER ECO-11-004820	11MAR11	RK	HMR



POST ARRANGEMENT ON REAR FACE

- 1. CONNECTOR WILL ACCEPT POSTED TYPE III+ PIN CONTACTS.
- 2. OBSOLETE PARTS: OBSOLETE CIS STREAMLINING PER D.RENAUD/D.SINISI



RECOMMENDED P.C. BOARD LAYOUT
BOTTOM NON-COMPONENT SIDE

△ SUPERSEDED BY 1-207303-4

NO	NO	TIN	TIN	.220	1-207303-5
NO	YES	TIN	GOLD	.220	1-207303-4
NO	NO	TIN	GOLD	.220	1-207303-3
YES	NO	TIN-LEAD	GOLD	.220	1-207303-2
NO	YES	TIN-LEAD	GOLD	.220	1-207303-1
NO	NO	TIN-LEAD	GOLD	.220	207303-3
NO	NO	TIN-LEAD	TIN	.220	207303-1
PERIPHERAL SEAL	THREADED INSERTS	CONTACT POST FINISH	CONTACT BODY FINISH	A	PART NUMBER

DIMENSIONS:		DRAWN BY		DATE		CHECKED BY		DATE	
INCHES		S. LEE, BG		7-2-91		W. GLENKER		4-14-92	
MATERIAL		FINISH		PRODUCT SPEC		APPLICATION SPEC		SIZE	
SEE CALLOUT		SEE TABLE		108-10024		-		A2 00779 C-207303	
				CUSTOMER DRAWING		SCALE		2:1	
						SHEET		1 of 1	
						REV		S2	

1471-9 (3/11)

207303

A