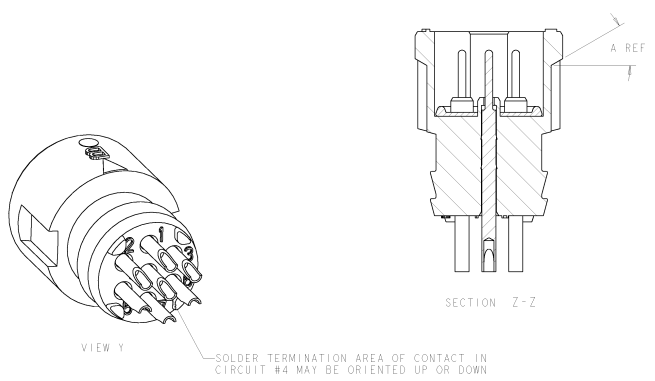
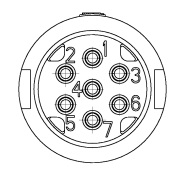
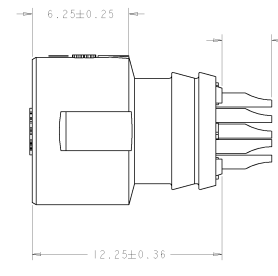
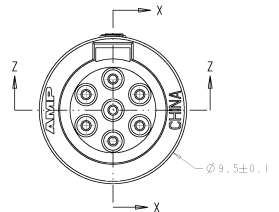
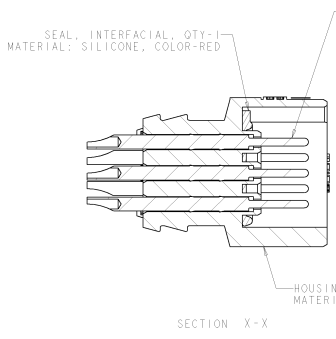
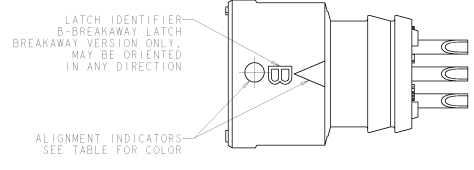


REV. NO.		REV. DATE		DESCRIPTION		DATE	BY	CHKD	APP'D
0	1	06/28/04		RELEASED	06/28/04				



HOUSING COLOR	INDICATOR COLOR	CONTACT CIRCUITS	LATCH	A REF	PART NUMBER
WHITE	WHITE	1,7	BREAKAWAY	30°	1-1445641-2
BLACK	WHITE	1,7	POSITIVE	0°	1-1445641-1
WHITE	WHITE	2,3,7	BREAKAWAY	30°	1-1445641-0
BLACK	WHITE	2,3,7	POSITIVE	0°	1445641-09
WHITE	WHITE	2,3,5,6	BREAKAWAY	30°	1445641-08
BLACK	WHITE	2,3,5,6	POSITIVE	0°	1445641-07
WHITE	WHITE	2,3,4,5,6	BREAKAWAY	30°	1445641-06
BLACK	WHITE	2,3,4,5,6	POSITIVE	0°	1445641-05
WHITE	WHITE	1,2,3,5,6,7	BREAKAWAY	30°	1445641-04
BLACK	WHITE	1,2,3,5,6,7	POSITIVE	0°	1445641-03
WHITE	WHITE	ALL	BREAKAWAY	30°	1445641-02
BLACK	WHITE	ALL	POSITIVE	0°	1445641-01

DATE: 06/28/04	BY: TERRY L. HARRIS	DATE: 06/28/04	BY: TERRY L. HARRIS	DATE: 06/28/04	BY: TERRY L. HARRIS
MATERIAL: SEE CALLOUT		FINISH: SEE CALLOUT		CUSTOMER DRAWING: A 00778 (1445641)	