

4

3

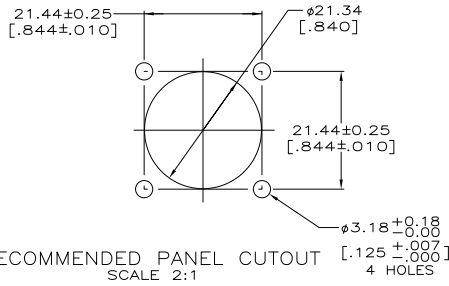
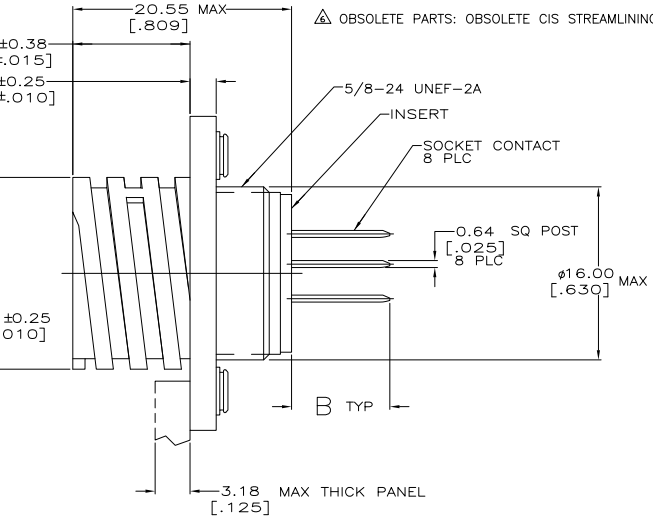
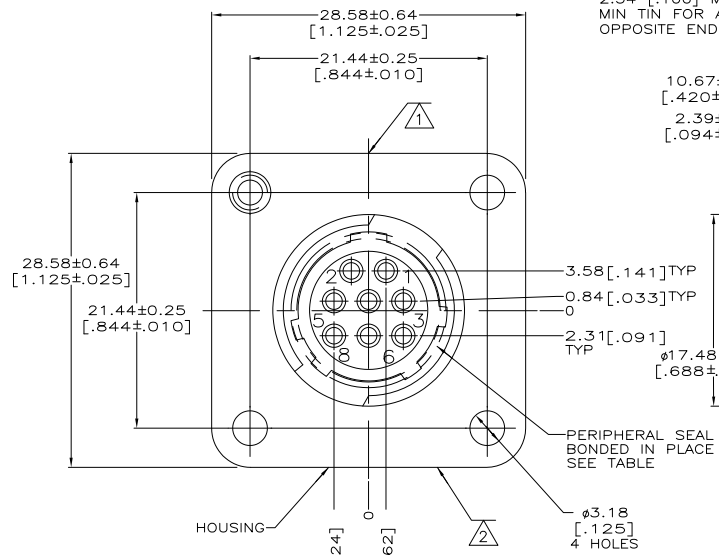
2

1

THIS DRAWING IS UNPUBLISHED. RELEASED FOR PUBLICATION.
 © COPYRIGHT BY TYCO ELECTRONICS CORPORATION. ALL RIGHTS RESERVED.

- 1 AMP MOLDED ON THIS SURFACE.
- 2 PART NUMBER AND DATE CODE MARKED ON THIS SURFACE.
- 3 NYLON, GLASS FILLED, FLAME RETARDANT, BLACK.
- 4 0.76um [.000030] MIN GOLD FOR A LENGTH OF 2.54 [.100] MIN FROM MATING END, 2.54um [.000100] MIN TIN-LEAD FOR A LENGTH OF 9.70 [.382] MIN FROM OPPOSITE END, BOTH OVER 1.27um [.000050] MIN NICKEL.
- 5 0.76um [.000030] MIN GOLD FOR A LENGTH OF 2.54 [.100] MIN FROM MATING END, 2.54um [.000100] MIN TIN FOR A LENGTH OF 9.70 [.382] MIN FROM OPPOSITE END, BOTH OVER 1.27um [.000050] MIN NICKEL.

REV	DATE	BY	APP'D
H1	2/22/06	SS	SH
H1	11SEP09	KK	AEG



REV	DESCRIPTION	DATE	BY	APP'D
1	NO	NO	8.94±0.76 [.352±.030]	1-208657-1
2	NO	YES	14.58±0.76 [.574±.030]	1-208657-0
3	NO	NO	12.17±0.76 [.479±.030]	208657-9
4	NO	NO	12.17±0.76 [.479±.030]	208657-8
5	PRELIMINARY	YES	14.58±0.76 [.574±.030]	208657-7
6	OBSOLETE	NO	8.94±0.76 [.352±.030]	208657-6
7	OBSOLETE	NO	14.58±0.76 [.574±.030]	208657-5
8	OBSOLETE	NO	YES	208657-4
9	OBSOLETE	NO	NO	208657-3
10	OBSOLETE	NO	NO	208657-2
11	OBSOLETE	NO	8.94±0.76 [.352±.030]	208657-1

THIS DRAWING IS A CONTROLLED DOCUMENT. DIM L SIDE 06/16/90
 DIM R SIDE 5/30/90
 CHK J. McCLINTON 5/30/90
 APP'D M. KAPCZYNSKI 5/30/90 NAME Tyco Electronics Corporation
 HARRISBURG, PA 17105-3608

POSTED RECEPTACLE ASSEMBLY, ARRANGEMENT 11-8, TYPE 20 DF CONTACTS, CPC

PRODUCT SPEC: 108-10024
 APPLICATION SPEC: -
 SIZE: A2 CASE CODE: 00779 DRAWING NO: C-208657
 WEIGHT: -
 MATERIAL: #10 THREADED INSERTS: BRASS; MOUNTING AND INSERTS: -; SOCKET CONTACTS: PHOSPHOR BRONZE

CUSTOMER DRAWING SCALE: 4:1 SHEET: 1 of 1 REV: H1

AMP 1471-9 REV 31MMR2000

208657

A