

4

3

2

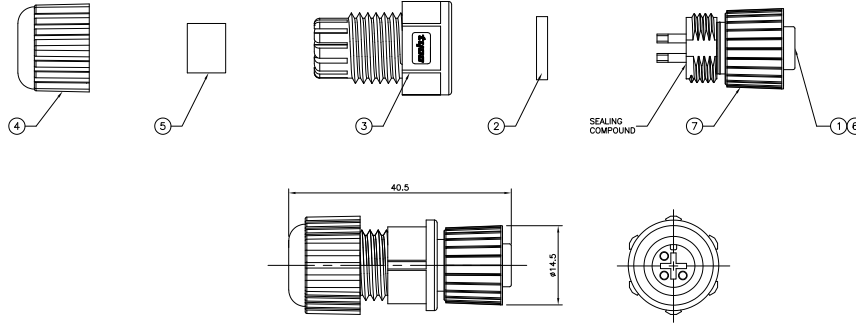
1

THIS DRAWING IS UNPUBLISHED. RELEASED FOR PUBLICATION
 © copyright - By - ALL RIGHTS RESERVED.

NOTES:

- ELECTRICAL DATA: CONTACT RESISTANCE: 10 mOhm MAX
 INSULATION RESISTANCE: 100 MOhm MIN at 500VDC
 CURRENT RATING: 5 AMPS FOR 3, 4 AND 5 POSITIONS AND 2 AMPS (FOR 8 POSITION ONLY)
 BREAKDOWN VOLTAGE: 500 VAC MIN PER MINUTE
- ENVIRONMENTAL: OPERATING TEMPERATURE: -25°C TO +90°C
 SEALING REQUIREMENTS: IP67
- PACKAGING: 107-3334
- SEAL FOR CABLE OD: #4.5mm - #6.5mm
- FOR TECHNICAL DATA REFER TO YOUR LOCAL TE CONNECTIVITY SALES OFFICE.
- ALL DIMENSIONS ARE FOR NOMINAL REFERENCE ONLY UNLESS OTHERWISE STATED.

REVISED PER ECO-11-005150		DATE	BY	APP'D
ITEM	DESCRIPTION	MATERIAL	FINISH/COLOUR	QUANTITY / ITEM
1	CONNECTOR HOUSING	GF NYLON	BLACK	1 1 1
2	GASKET	SILICONE	BLACK	1 1 1
3	CONNECTOR BODY	GF NYLON	BLACK	1 1 1
4	SEALING NUT	GF NYLON	BLACK	1 1 1
5	SEAL	EPOXY	BLACK	1 1 1
6	SOCKET CONTACT	BRASS	0.15µm GOLD OVER NICKEL	3 4 5
7	SCREW NUT	ZINC DIE CAST	2.5µm NICKEL PLATED	1 1 1
8	O' RING	VTON	GREEN	1 1 1

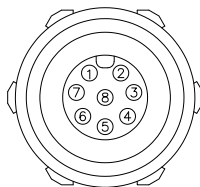
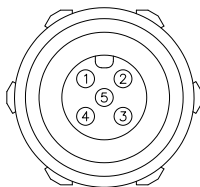
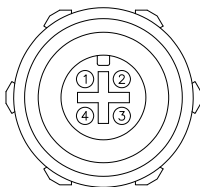
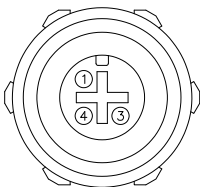


1838274-1
PIN ASSIGNMENTS
FRONT VIEW

1838274-2
PIN ASSIGNMENTS
FRONT VIEW

1838274-3
PIN ASSIGNMENTS
FRONT VIEW

1838274-4
PIN ASSIGNMENTS
FRONT VIEW



DESCRIPTION	NO. OF POS	PART NUMBER
M12 FIELD SERVICEABLE CONNECTOR, FEMALE SOCKET, SOLDER TYPE	8	1838274-4
M12 FIELD SERVICEABLE CONNECTOR, FEMALE SOCKET, SOLDER TYPE	5	1838274-3
M12 FIELD SERVICEABLE CONNECTOR, FEMALE SOCKET, SOLDER TYPE	4	1838274-2
M12 FIELD SERVICEABLE CONNECTOR, FEMALE SOCKET, SOLDER TYPE	3	1838274-1

THIS DRAWING IS A CONTROLLED DOCUMENT.

DIMENSIONS: mm TOLERANCES UNLESS OTHERWISE SPECIFIED: 0 PLG ± .15 1 PLG ± .15 2 PLG ± .15 3 PLG ± .15 4 PLG ± .15 ANGLES ± .5°	DWG: A. Morley CHK: F. Wheeler-King DWG: F. Wheeler-King PRODUCT SPEC: --- APPLICATION SPEC: --- HEIGHT: ---	14MARD0 12MARD0 12MARD0 12MARD0 NAME: --- SIZE: A2 CASE CODE: 00779 DRAWING NO: C=1838274 RESTRICTED TO: --- CUSTOMER DRAWING SCALE: NTS SHEET: 1 of 1 REV: C1	TE Connectivity M12 FIELD SERVICEABLE CONNECTOR, FEMALE SOCKET, SOLDER TYPE
---	---	--	--