

4

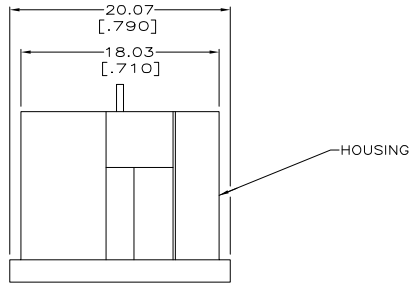
3

2

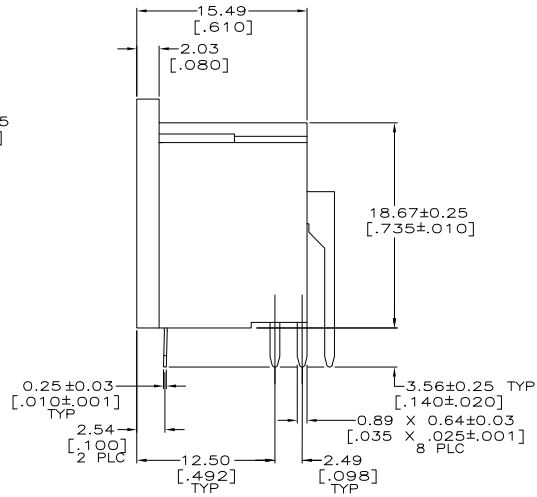
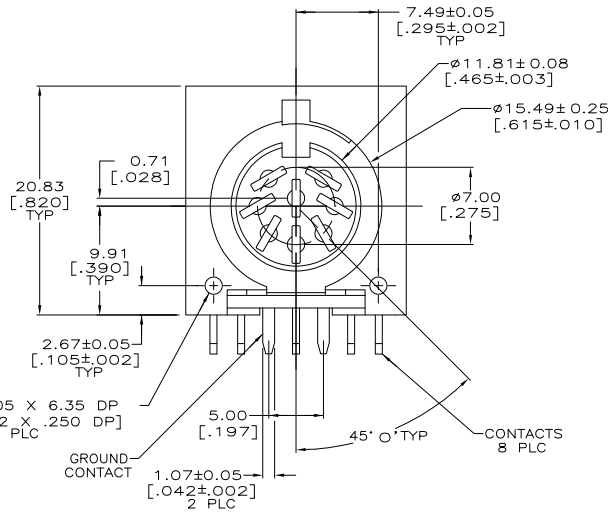
1

THIS DRAWING IS UNPUBLISHED. RELEASED FOR PUBLICATION
 © COPYRIGHT BY TYCO ELECTRONICS CORPORATION. ALL RIGHTS RESERVED.

LOC		DIBT		REVISIONS		
F	LR	DESCRIPTION	DATE	BY	APP'D	
GP	00					
	01	REVISED PER ECO-07-008008	10APR07	JDP	CWR	



- △ HOUSING: NYLON, UL 94V-0 RATED, BLACK.
- △ CONTACTS & GROUND CONTACT: 2.54μm [.000100] MIN TIN OVER 1.27μm [.000050] MIN NICKEL.
- △ ACCEPTS #2 SELF-TAPPING SCREW, .250 LONG REF.
- △ CONTACTS & GROUND CONTACT: BRASS.



5211511-1
PART NUMBER

THIS DRAWING IS A CONTROLLED DOCUMENT.		DRN 11-11-04	Tyco Electronics Corporation Harrisburg, PA 17105-3608	RECEPTACLE ASSY, RIGHT ANGLE, 8 POSITION, CIRCULAR DIN	RESTRICTED TO
DIMENSIONS: mm [INCHES]		11-11-04			
TOLERANCES UNLESS OTHERWISE SPECIFIED:		11-11-04	NAME		
0 PLC ± .005	1 PLC ± .002	2 PLC ± .001	M. WALKMSLEY		
3 PLC ± .001	4 PLC ± .0005	ANGLES ± .5°	PRODUCT SPEC		
MATERIAL		FINISH	APPLICATION SPEC		
△/△		△	108-10047		
			114-40025		
			WEIGHT		
			A2 00779 C=5211511		
			CUSTOMER DRAWING		
			SCALE 4:1		
			SHEET 1 of 1		
			REV 01		