

4

3

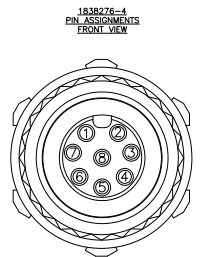
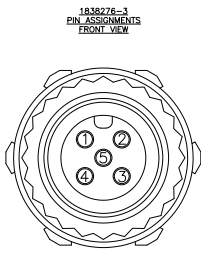
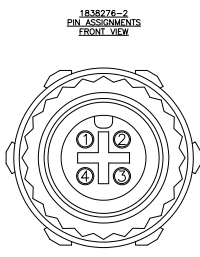
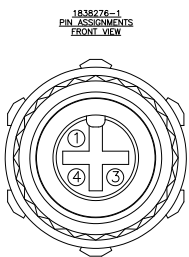
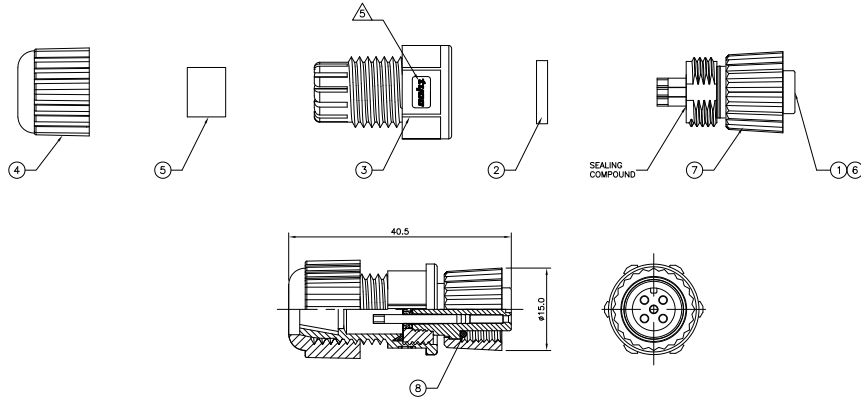
2

1

THIS DRAWING IS UNPUBLISHED. RELEASED FOR PUBLICATION. ALL RIGHTS RESERVED.

LOC		DIST		REVISIONS			DATE	BY	APP'D
E	B	F	LWR	DESCRIPTION			21MAR11	RK	HMR
				B1	REVISED PER ECO-11-005150				
ITEM	DESCRIPTION	MATERIAL	FINISH/COLOUR	QUANTITY / ITEM					
1	CONNECTOR HOUSING	GF NYLON	BLACK	-1	-2	-3			
2	GASKET	SILICONE	BLACK	1	1	1			
3	CONNECTOR BODY	GF NYLON	BLACK	1	1	1			
4	SEALING NUT	GF NYLON	BLACK	1	1	1			
5	SEAL	EPDM	BLACK	1	1	1			
6	SOCKET CONTACT	BRASS	0.15µm GOLD OVER NICKEL	3	4	5			
7	SCREW NUT	GF NYLON	BLACK	1	1	1			
8	O' RING	VITON	GREEN	1	1	1			

- NOTES:**
- ELECTRICAL DATA: CONTACT RESISTANCE: 10 mOhm MAX
INSULATION RESISTANCE: 100 MOhm MIN at 500VDC
CURRENT RATING: 5 AMPS FOR 3, 4 AND 5 POSITIONS AND 2 AMPS (FOR 8 POSITIONS)
BREAKDOWN VOLTAGE: 200 VAC MIN PER MINUTE
 - ENVIRONMENTAL: OPERATING TEMPERATURE: -25°C TO +90°C
SEALING REQUIREMENTS: IP67
 - PACKAGING: 107-3334
 - SEAL FOR CABLE OD: #4.5mm - #6.5mm
 - FOR TECHNICAL DATA REFER TO YOUR LOCAL TE CONNECTIVITY SALES OFFICE.
 - ALL DIMENSIONS ARE FOR NOMINAL REFERENCE ONLY UNLESS OTHERWISE STATED.



M12 PLASTIC FIELD SERVICEABLE CONNECTOR, FEMALE SOCKET, SOLDER TYPE	8	1838276-4
M12 PLASTIC FIELD SERVICEABLE CONNECTOR, FEMALE SOCKET, SOLDER TYPE	5	1838276-3
M12 PLASTIC FIELD SERVICEABLE CONNECTOR, FEMALE SOCKET, SOLDER TYPE	4	1838276-2
M12 PLASTIC FIELD SERVICEABLE CONNECTOR, FEMALE SOCKET, SOLDER TYPE	3	1838276-1

THIS DRAWING IS A CONTROLLED DOCUMENT.

DIMENSIONS: mm TO TOLERANCES UNLESS OTHERWISE SPECIFIED 0 PLC ± 1 PLC ± 2 PLC ± 3 PLC ± 4 PLC ± ANGLES ±	DWG: A. Morley CHK: F. Wheeler-King DPC: F. Wheeler-King PRODUCT SPEC: --- APPLICATION SPEC: --- HEIGHT: ---	14MAY08 12MAY08 12MAY08 NAME: --- M12 PLASTIC FIELD SERVICEABLE CONNECTOR, FEMALE SOCKET, SOLDER TYPE SIZE: A2 CASE CODE: 00779 DRAWING NO: C=1838276 RESTRICTED TO: --- CUSTOMER DRAWING SCALE: NTS SHEET: 1 of 1 REV: B1	
---	---	--	--