

4

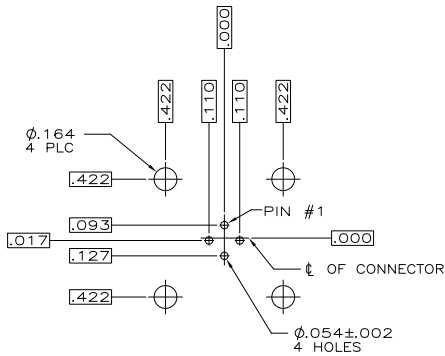
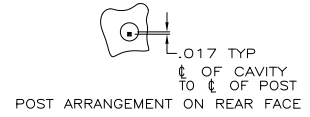
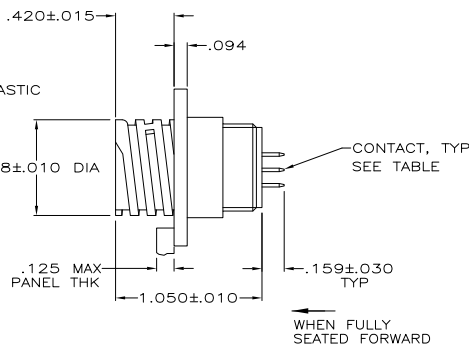
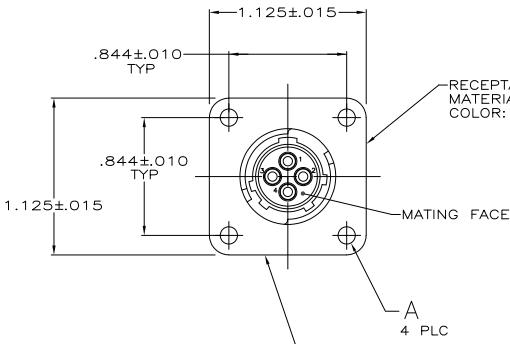
3

2

1

THIS DRAWING IS UNPUBLISHED. RELEASED FOR PUBLICATION. ALL RIGHTS RESERVED.

LOC	DIST	REVISIONS			
P	LR	DESCRIPTION	DATE	BY	APPD
J1		REVISED PER ECO-11-005027	11MAR11	RK	HMR



RECOMMENDED P.C. BOARD LAYOUT

- ▲ CONTACT BODY: GOLD PLATED PER MIL-G-45204 OVER NICKEL PER QQ-N-290. CONTACT POST: TIN-LEAD PER MIL-T-10727 OVER COPPER PER MIL-C-14550A.
- ▲ CONTACT BODY: TIN-LEAD PLATED .000100 MIN. CONTACT POST: TIN-LEAD PLATED .000100 MIN.
- ▲ CONTACT BODY: GOLD PLATED OVER NICKEL PER QQ-N-290. CONTACT POST: TIN OVER COPPER.
- ▲ PRELIMINARY PART NUMBER.

▲	NO	.125 DIA	1,2,3	208283-7
▲	NO	4-40UNC, INSERT, BRASS	1,3,4	208283-6
▲	NO	.125 DIA	ALL	208283-5
▲	NO	.125 DIA	ALL	208283-4
▲	YES	.125 DIA	ALL	208283-3
▲	NO	4-40UNC, INSERT, BRASS	1,3,4	208283-2
▲	NO	.125 DIA	ALL	208283-1
FINISH	PERIPHERAL SEAL	A	CONTACTS LOADED AT POSITION	PART NUMBER

THIS DRAWING IS A CONTROLLED DOCUMENT.

DR: SLEE, BG	6-22-91
CR: W. GLENKER	4-14-92
APP: -	NAME
PRODUCT SPEC: 108-10024	TE Connectivity
APPLICATION SPEC: -	RECEPTACLE ASSEMBLY, POSTED, REV SEX, SERIES 1, 11-4, CPC
WEIGHT: -	SIZE: A2
MATERIAL: -	CAGE CODE: 00779
FINISH: -	DRAWING NO: C-208283
CUSTOMER DRAWING	RESTRICTED TO: -
SCALE: 1:1	SHEET: 1 of 1
REV: J1	