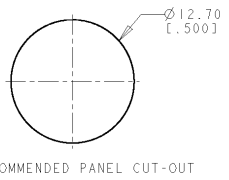
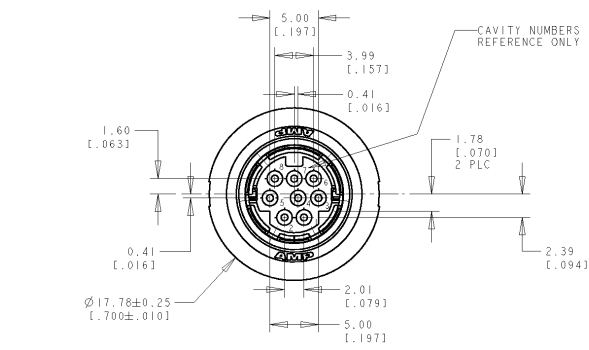
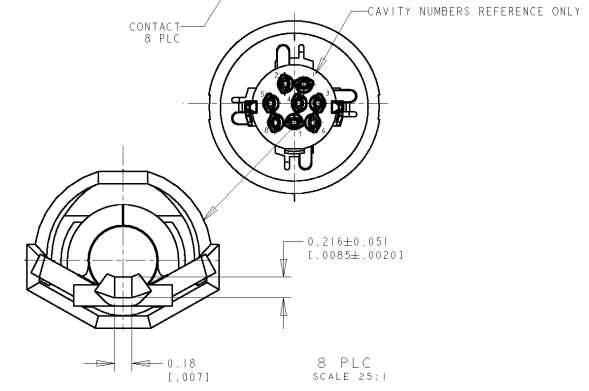
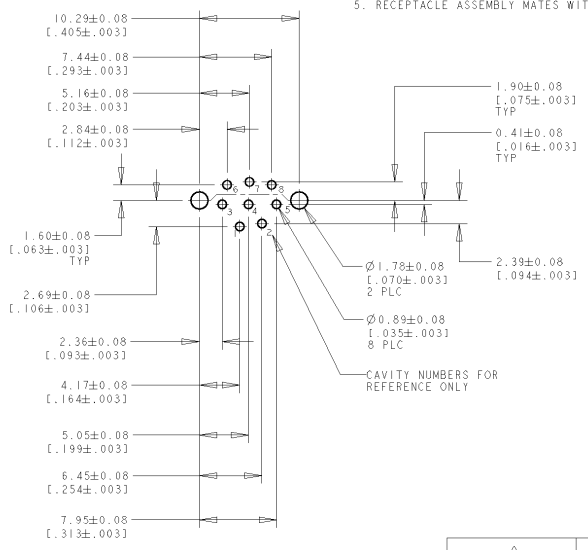
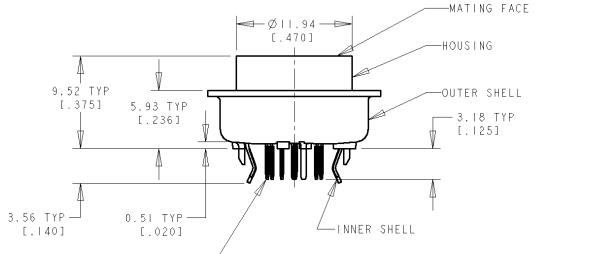


THIS DRAWING IS UNPUBLISHED. RELEASED FOR PUBLICATION .19
 COPYRIGHT 19 BY AMP INCORPORATED. ALL RIGHTS RESERVED.

LOC	DIST	REVISIONS			
F	LTR	DESCRIPTION	DATE	OWN	APVD
0	NPR	ECR-05-005092	17JUN05	LWY	SYJ



NOTES:
 △ SHELLS: BRASS
 CONTACTS: PHOSPHOR BRONZE
 HOUSING: POLYESTER, UL 94V-0 RATED, BLACK
 △ 0.38um [.000015] MIN GOLD ON MATING END FOR A LENGTH OF 1.37L [.054] MIN ON INSIDE, 2.54um [.000100] MIN TIN FOR A LENGTH OF 3.30um [.130] MIN FROM OPPOSITE END, ALL OVER 1.27um [.000050] MIN NICKEL
 △ 2.54um [.000100] MIN TIN OVER 2.54um [.000200] MIN COPPER
 △ 3.81um [.000150] MIN TIN OVER 1.27um [.000050] MIN NICKEL OR COPPER
 5. RECEPTACLE ASSEMBLY MATES WITH 8 PIN, Ø8.99±0.10 [.354±.004] PLUG



RECOMMENDED PC BOARD LAYOUT
 BOTTOM VIEW

4	3	2	5750338-1
OUTER SHELL FINISH	INNER SHELL FINISH	CONTACT FINISH	PART NO.

THIS DRAWING IS A CONTROLLED DOCUMENT FOR AMP INCORPORATED IT IS SUBJECT TO CHANGE AND THE CONTROLLING ENGINEERING ORGANIZATION SHOULD BE CONTACTED FOR THE LATEST REVISION.		DWN WYLEE 17JUN2005 CHK YJ SEE APVD SF LEONG PRODUCT SPEC - APPLICATION SPEC - WEIGHT - CUSTOMER DRAWING	tyco Electronics Tyco Electronics Singapore Pte. Ltd. NAME RECEPTACLE ASSEMBLY, 8 POSN, LOW FLANGE, SHIELDED, VERTICAL, MINIATURE CIRCULAR DIN, LF SIZE A3 CAGE CODE 00779 DRAWING NO C-5750338 SCALE 3:1 SHEET 1 OF 1 REV 0
DIMENSIONS: mm [INCHES] 	TOLERANCES UNLESS OTHERWISE SPECIFIED: 0 PLC ± 1 PLC ± 2 PLC ±0.13(.005) 3 PLC ± 4 PLC ± ANGLES ±	MATERIAL 	FINISH SEE TABLE