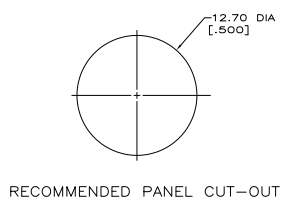
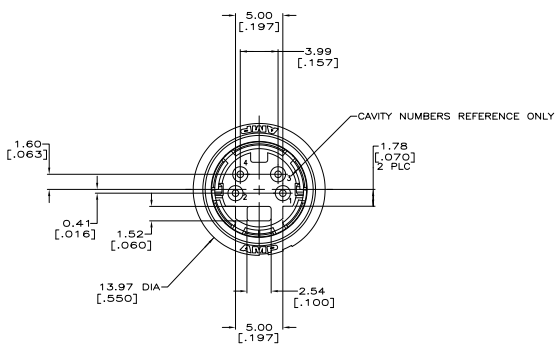
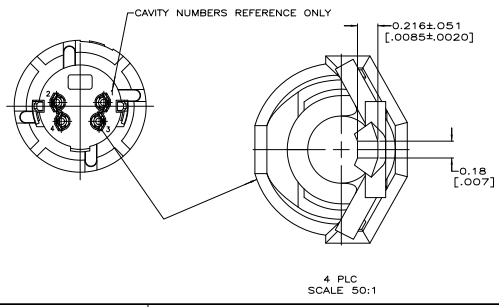
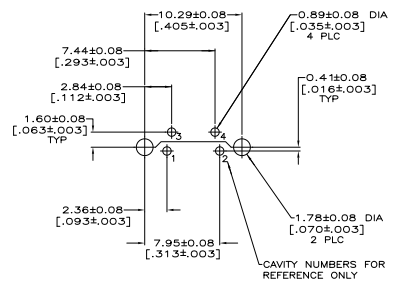
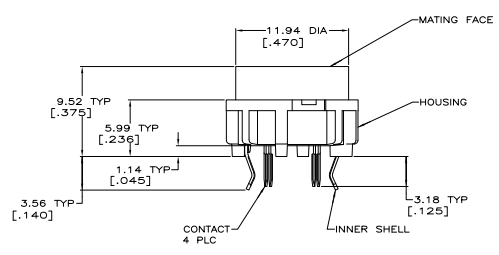


DRAWING MADE IN THIRD ANGLE PROJECTION  
 THIS DRAWING IS UNPUBLISHED. RELEASED FOR PUBLICATION  
 © COPYRIGHT 19 BY AMP INCORPORATED. ALL INTERNATIONAL RIGHTS RESERVED.

MOD	APP	REV	DATE	DESCRIPTION
18	GP	00		
REVISIONS				
A1	REV PER	ECO-09-023313	13/07/09	MEG
A	REV PER	EC-0813-0177-03	5-03	CR



- △ SHELL: BRASS; CONTACTS: PHOSPHOR BRONZE; HOUSING: POLYESTER, UL 94V-0 RATED, BLACK.
- △ 0.76  $\mu\text{m}$  [.000030] MIN GOLD ON MATING END FOR A LENGTH OF 1.37[.054] MIN ON INSIDE; 2.54  $\mu\text{m}$  [.000100] MIN TIN-LEAD FOR A LENGTH OF 3.30[.130] MIN FROM OPPOSITE END, ALL OVER 1.27  $\mu\text{m}$  [.000050] MIN NICKEL.
- △ 0.38  $\mu\text{m}$  [.000015] MIN GOLD ON MATING END FOR A LENGTH OF 1.37[.054] MIN ON INSIDE; 2.54  $\mu\text{m}$  [.000100] MIN TIN-LEAD FOR A LENGTH OF 3.30[.130] MIN FROM OPPOSITE END, ALL OVER 1.27  $\mu\text{m}$  [.000050] MIN NICKEL.
- △ 2.54  $\mu\text{m}$  [.000100] MIN TIN-LEAD OVER 1.27  $\mu\text{m}$  [.000050] MIN NICKEL.
- △ GOLD PLATING PER MIL-G-45204, TIN PLATING PER MIL-T-10727, NICKEL PLATING PER QQ-N-290.
- 6. RECEPTACLE ASSEMBLY MATES WITH 4 PIN, 8.99±0.10[.354±.004] DIAMETER PLUG.
- △ 2.54  $\mu\text{m}$  [.000100] MIN TIN OVER 1.27  $\mu\text{m}$  [.000050] MIN NICKEL.
- △ OBSOLETE PARTS: OBSOLETE CIS STREAMLINING PER D.RENAUD/D.SINISI



RECOMMENDED PC BOARD LAYOUT  
 BOTTOM VIEW

OBsolete	INNER SHELL	CONTACT FINISH	PART NO
△	△	△	750315-4
△	△	△	750315-3
△	△	△	750315-2
△	△	△	750315-1

DO NOT SCALE PRINT, UNLESS SPECIFIED	DR 8-6-90 R. SHREY	AMP Incorporated Harrisburg, PA 17105-3608	
DIMENSIONS IN mm [INCHES]	CHK -	RECEPTACLE ASSEMBLY, 4 POSN, LOW FLANGE, UNSHIELDED, VERTICAL, MINIATURE CIRCULAR DIN	
TOLERANCES IN mm [INCHES]	APPD -	NAME	
2 PLG DEC ± 0.13[.005]	APPD -	SIZE	
3 PLG DEC ± 0.13[.005]	APPD -	CAGE CODE	
MATERIAL	APPD -	DRAWING NO	
△	PRODUCT SPEC	00779	
FINISH	APPLICATION SPEC	SCALE	
SEE TABLE	WEIGHT	5:1	
		SHEET 1 OF 1	



CUSTOMER DRAWING