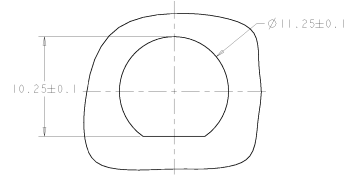
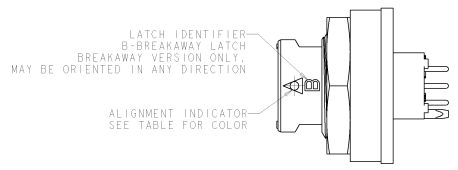
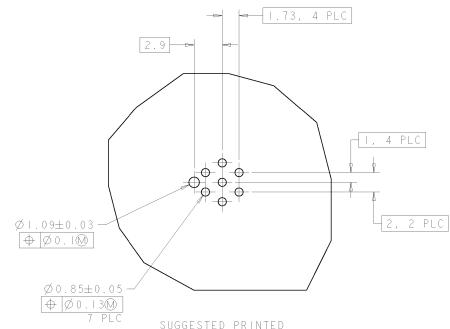
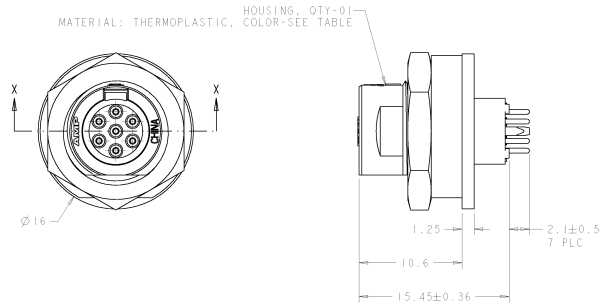


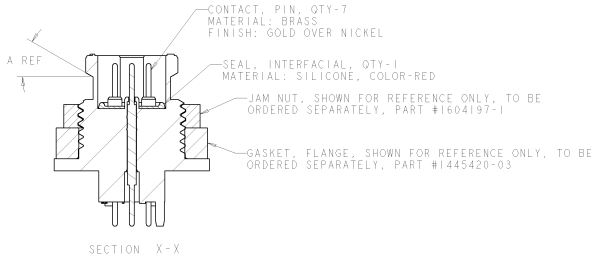
REV. NO.		REV. DATE		DESCRIPTION	
0	0	04/01/2004	04/01/2004	04	04
1	1	04/01/2004	04/01/2004	04	04
2	2	04/01/2004	04/01/2004	04	04
3	3	04/01/2004	04/01/2004	04	04



SUGGESTED PANEL CUTOUT  
 3.18 MAX PANEL THICKNESS



SUGGESTED PRINTED  
 CIRCUIT BOARD LAYOUT



HOUSING COLOR	INDICATOR COLOR	CONTACT CIRCUITS	LATCH	A REF	PART NUMBER
WHITE	WHITE	1, 7	BREAKAWAY	30°	1-1445720-2
BLACK	WHITE	1, 7	POSITIVE	0°	1-1445720-1
WHITE	WHITE	2, 3, 7	BREAKAWAY	30°	1-1445720-0
BLACK	WHITE	2, 3, 7	POSITIVE	0°	1445720-09
WHITE	WHITE	2, 3, 5, 6	BREAKAWAY	30°	1445720-08
BLACK	WHITE	2, 3, 5, 6	POSITIVE	0°	1445720-07
WHITE	WHITE	2, 3, 4, 5, 6	BREAKAWAY	30°	1445720-06
BLACK	WHITE	2, 3, 4, 5, 6	POSITIVE	0°	1445720-05
WHITE	WHITE	1, 2, 3, 5, 6, 7	BREAKAWAY	30°	1445720-04
BLACK	WHITE	1, 2, 3, 5, 6, 7	POSITIVE	0°	1445720-03
WHITE	WHITE	ALL	BREAKAWAY	30°	1445720-02
BLACK	WHITE	ALL	POSITIVE	0°	1445720-01

TOSHIBA ELECTRONIC COMPONENTS DIVISION 6300 SILICON DRIVE, MARIETTA, GA 30067-1599		DATE: 04/01/2004 DRAWN BY: 04/01/2004 CHECKED BY: 04/01/2004		<b>Toshiba</b> ELECTRONIC COMPONENTS MARIETTA, GA 30067-1599	
PART NUMBER: 1445720-01 QUANTITY: 10000 UNIT PRICE: \$0.15		ASSEMBLY: RECEPTACLE, SOLDER TAIL, PANEL MOUNT, 7 POSITION, MICRO CFC		PART # 1445720-01 QTY 10000 UNIT PRICE \$0.15	
SEE CALLOUT SEE CALLOUT		CUSTOMER DRAWING: 1445720-01		PART # 1445720-01 QTY 10000 UNIT PRICE \$0.15	