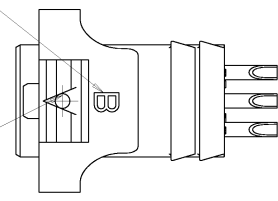


THIS DRAWING IS UNPUBLISHED. RELEASED FOR PUBLICATION BY TICO ELECTRONICS CORPORATION. ALL RIGHTS RESERVED. (C) COPYRIGHT 2004

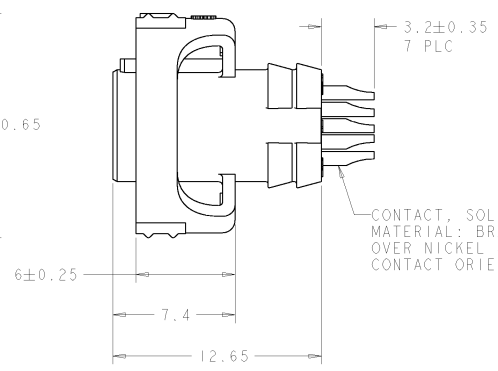
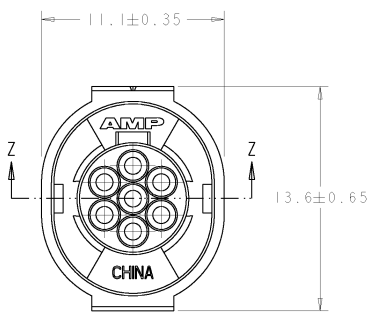
REVOLUTIONS		DATE	BY	APPD
TR	LYR	DESCRIPTION		
A		RELEASED EC 063B-0570-04	SW	HW

LATCH IDENTIFIER
B-BREAKAWAY LATCH
BREAKAWAY VERSION ONLY.
MAY BE ORIENTED
IN ANY DIRECTION

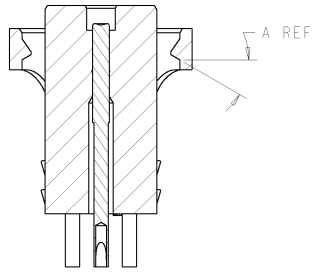
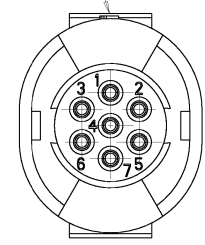
ALIGNMENT INDICATOR



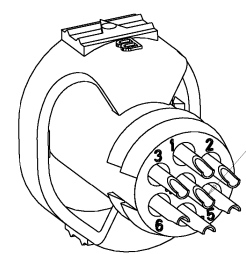
MATERIAL: THERMOPLASTIC, HOUSING, QTY-1
COLOR-SEE TABLE



CONTACT, SOLDER CUP, QTY-7
MATERIAL: BRASS FINISH: GOLD
OVER NICKEL SEE VIEW W FOR
CONTACT ORIENTATION



SECTION Z-Z



VIEW W

SOLDER TERMINATION
AREA OF CONTACT IN
CIRCUIT #4 MAY BE
ORIENTED UP OR DOWN

WHITE	1, 7.	2	BREAKAWAY	30°	1-1445322-2
BLACK	1, 7.	2	POSITIVE	0°	1-1445322-1
WHITE	2, 3, 7.	3	BREAKAWAY	30°	1-1445322-0
BLACK	2, 3, 7.	3	POSITIVE	0°	1445322-09
WHITE	2, 3, 5, 6.	4	BREAKAWAY	30°	1445322-08
BLACK	2, 3, 5, 6.	4	POSITIVE	0°	1445322-07
WHITE	2, 3, 4, 5, 6.	5	BREAKAWAY	30°	1445322-06
BLACK	2, 3, 4, 5, 6.	5	POSITIVE	0°	1445322-05
WHITE	1, 2, 3, 5, 6, 7.	6	BREAKAWAY	30°	1445322-04
BLACK	1, 2, 3, 5, 6, 7.	6	POSITIVE	0°	1445322-03
WHITE	ALL	7	BREAKAWAY	30°	1445322-02
BLACK	ALL	7	POSITIVE	0°	1445322-01
HOUSING COLOR	CIRCUITS LOADED	QTY	LATCH	A	PART NUMBER

<small>TOP DIMENSIONS IN CENTIMETERS UNLESS OTHERWISE SPECIFIED. DIMENSIONS IN PARENTHESES ARE FOR THE CONDUCTIVE PORTION.</small>		DATE: 15 FEB 2001 DWG: GC DOUTY CHK: B WAKEM APPR: B WAKEM	Tico Electronics Harrisburg, PA 17105-3608
DIMENSIONS: mm (INCHES)	DIMENSIONS IN PARENTHESES ARE FOR THE CONDUCTIVE PORTION.	DATE: 27 JUL 2004 DWG: B WAKEM APPR: B WAKEM	ASSEMBLY, PLUG SOLDER CUP, MICRO CPC
MATERIAL: SEE NOTE FINISH: SEE NOTE	WEIGHT: - CUSTOMER DRAWING	SIZE: A2 CASE CODE: 100779 DRAWING NO: 1445322	RESTRICTED TO: - SCALE: 6:1 SHEET: 1 OF 1 REV: A