

4

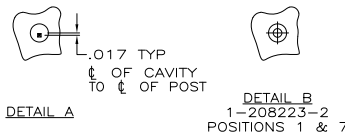
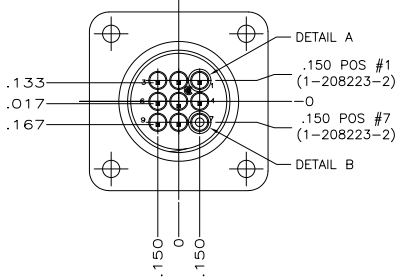
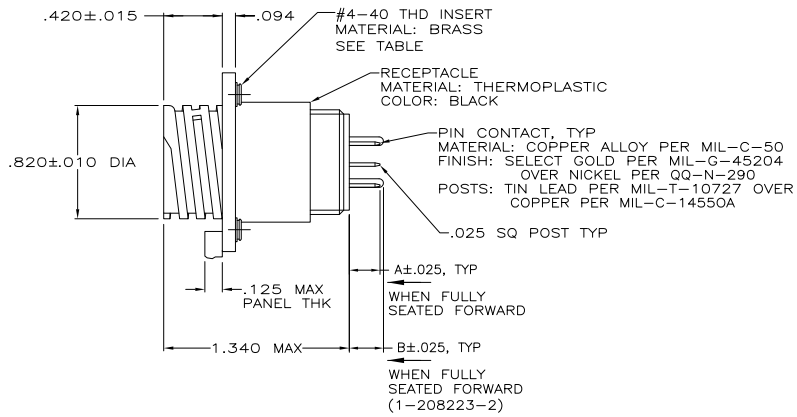
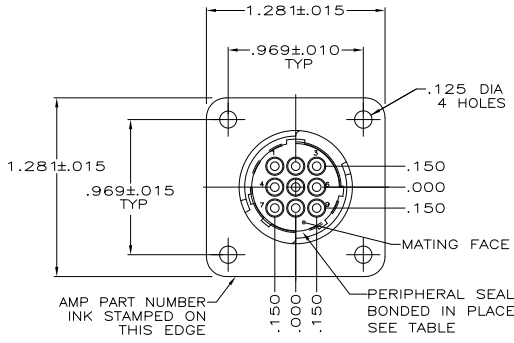
3

2

1

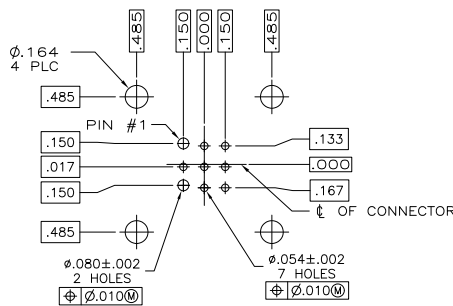
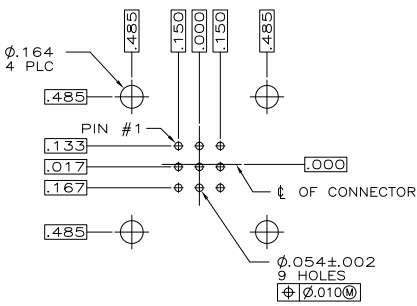
THIS DRAWING IS UNPUBLISHED. RELEASED FOR PUBLICATION. ALL RIGHTS RESERVED.

LOC		DIBT		REVISIONS			
P	LTR	DESCRIPTION	DATE	BY	APPD		
S4		REVISED PER ECO-11-004820	11MAR11	RK	HMR		



- 1-66460-0 WILL BE SELECTIVELY LOADED INTO POSITIONS 2, 4, 6, 7, 9 AND 66464-3 WILL BE LOADED INTO POSITIONS 1, 3, 5, 8 OF THE HOUSING.
- LOAD ALL POSITIONS EXCEPT POSITION NUMBER 4.
- TIN PLATED CONTACTS.
- 194264-1 LOADED INTO POSITIONS 1 & 7.
- OBsolete PARTS: OBsolete CIS STREAMLINING PER D.RENAUD/D.SINISI

	.245	.220	NO	YES	1-208223-2
PRELIMINARY	—	.220	YES	YES	1-208223-1
PRELIMINARY	—	.220	NO	YES	1-208223-0
PRELIMINARY	—	.220	NO	NO	208223-9
PRELIMINARY	—	.220	YES	NO	208223-8
PRELIMINARY	—	.220	NO	NO	208223-7
PRELIMINARY	—	.618	NO	YES	208223-6
OBsolete	—	.220	YES	YES	208223-5
OBsolete	—	.220	NO	NO	208223-4
OBsolete	—	.220	NO	YES	208223-3
OBsolete	—	.429	NO	NO	208223-2
OBsolete	—	.220	NO	NO	208223-1



DIMENSIONS:		TOLERANCES UNLESS OTHERWISE SPECIFIED:		DATE		TE Connectivity	
INCHES	MILLIMETERS	FRACTIONS	DECIMALS	DATE	NAME	SIZE	CASE CODE
1/16	1.5748	1/16	0.0625	6-22-91	R. LEE, RG	A2	00779
1/32	3.1496	1/32	0.03125	4-14-92	W. GLENKER	C	208223
1/64	6.2992	1/64	0.015625				
3/128	12.5984	3/128	0.0078125				
1/8	25.1968	1/8	0.03125				
3/16	37.7952	3/16	0.046875				
1/4	50.3936	1/4	0.0625				
5/16	62.992	5/16	0.078125				
3/8	75.5896	3/8	0.09375				
1/2	127.0	1/2	0.125				
5/8	158.75	5/8	0.15625				
3/4	190.5	3/4	0.1875				
7/8	222.25	7/8	0.21875				
1	254.0	1	0.25				

1471-9 (3/11)

208223

A