

4

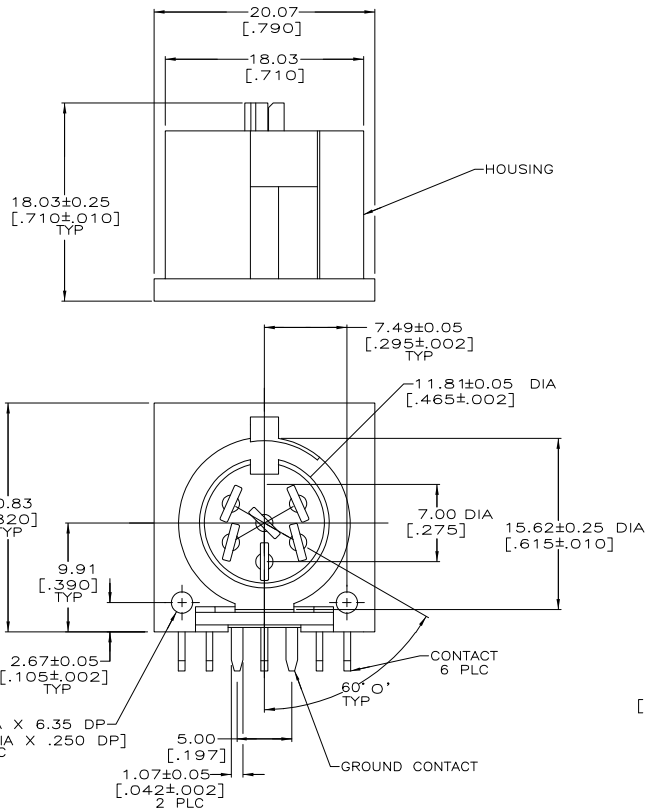
3

2

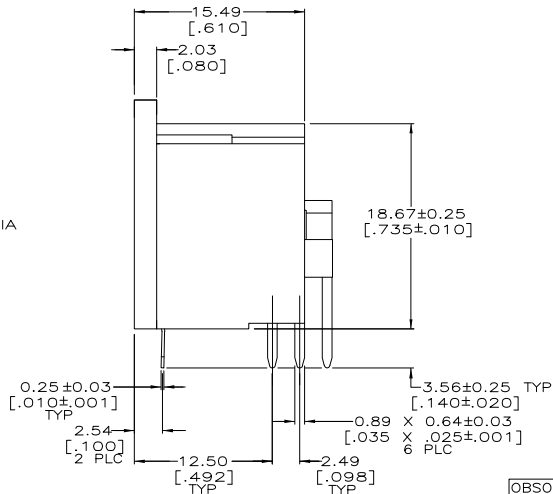
1

THIS DRAWING IS UNPUBLISHED. RELEASED FOR PUBLICATION  
 BY TYCO ELECTRONICS CORPORATION. ALL RIGHTS RESERVED.

LOC		DIBT		REVISIONS		
GP	00	F	LTR	DESCRIPTION	DATE	BY
		H2		REVISED PER ECO-07-008008	10APR07	JDP/CWR



- ▲ NYLON, UL 94V-0 RATED, BLACK.
- ▲ 2.54 μm [0.000100] MIN TIN-LEAD OVER 1.27 μm [0.000050] MIN NICKEL.
- ▲ TIN PLATING PER MIL-T-10727, NICKEL PLATING PER QQ-N-290.
- ▲ ACCEPTS #2 SELF-TAPPING SCREW, .250 LONG REF.
- 5. MATES WITH 6 POSITION SHIELDED DIN PLUG 212437-4.
- ▲ BRASS PER ASTM B36.
- ▲ 2.54 μm [0.000100] MIN TIN OVER 1.27 μm [0.000050] MIN NICKEL.



OBsolete	9-211509-0
FINISH	PART NUMBER
	211509-1

THIS DRAWING IS A CONTROLLED DOCUMENT.		DATE	8/12/91
DIMENSIONS: mm [INCHES]		APPROVED	
TOLERANCES UNLESS OTHERWISE SPECIFIED:		NAME	
0 PLC	± .005	PRODUCT SPEC	
1 PLC	± .002	108-10047	
2 PLC	± 0.1% (0.005)	APPLICATION SPEC	
3 PLC	± .001	114-40025	
4 PLC	± .001	WEIGHT	
ANGLES	± .001	SIZE	A2
		CAGE CODE	00779
		DRAWING NO	C=211509
		RESTRICTED TO	
MATERIAL	SEE TABLE	CUSTOMER DRAWING	SCALE
FINISH			4:1
			SHEET 1 of 1
			REV H2

AMP 1471-9 REV 31MM2000

211509

B

A